



Emcor[®] ESQ[®] Catalog

www.emcorenclosures.com | 507-287-3535



Our objective is to define our customer's quality requirements, and to produce products and services that meet or exceed those expectations. We are committed to continuous improvement through education, process advancements and problem prevention.

Engineering Drawings

The dimensional drawings that are shown on the following pages are for reference only. Detailed engineering drawings are available upon request and are subject to change without notice.

Emcor® ESQ® Product Line

The Emcors ESQ is an extremely flexible product line, featuring an extensive selection of rack heights, widths, depths, and styles that target your specific design requirements. These enclosures support a mix of computer, data storage, network and security equipment and can be configured in rack or console configurations. Select from a variety of external and internal accessories to complete your design. Modified or custom designs are available by contacting your local sales representative or contacting us directly.

Platinum Delivery Program

Get your product shipped one – or even two – weeks faster than normal lead times, for a nominal fee. Ask for either the Platinum or Diamond option with your quote.



Table of Contents

- Overview 3
- Frames 4-17
- Mounting Rails 18-21
- Base/Casters 22-25
- Wedges/Turrets 26-23
- Power 34-35
- Grounding 36-37
- Cable Management 38-41
- Lighting 42-43
- Shelves/Drawers 44-56
- Work Surfaces 57-59
- Monitor Arms 60-63
- Airflow Management 64-68
- Panels 69-77
- Doors 78-83
- Side Panels 84-85
- Hardware 86-87
- Ordering Guide 89-99

How to Order

Emcor Enclosures are configure to order, meaning each component of the enclosure is ordered separately. This process allows the most versatility in the final appearance and function of the enclosure or console. Simply follow the steps listed below.

- 1** DETERMINE THE FRAME PART NUMBER
Because the basic building block is the frame it will be your first selection.
- 2** REVIEW THE ORDERING GUIDE (LOCATED IN THE BACK OF THE CATALOG)
Once you have selected a frame part number, locate it in the ordering guide. Note that the ordering guide is organized so that compatible accessories are listed to the right of the frame part numbers.
- 3** ISSUE ORDERS TO
All correspondence and PO's should be addressed to:

Emcor Enclosures
2900 37th St. NW, Bldg 003
Rochester, MN 55901

Submit the Purchase Order (PO) to the Sales Representative indicated on the quote.
Be sure to include a copy of the quote.

Paint

Paint/Finish

Our products are finished in textured powder paint. Powder coating provides a durable high-quality finish. Select from one of nine proprietary color options. Sample kits are available upon request.

Part Numbers

Color	
White	TX-WHP
Neutral	TX-NUP
Graystone	TX-GSP
Caribbean Blue	TX-CRBP
Fawn	TX-FNP
Steel	TX-STP
Putty	TX-PTP
Black	TX-BKP
Hi-Tech Gray	TX-HTGP



Custom Paint/Finish

Custom paint colors or finishes can be accommodated. Please contact us with your requirement. Additional charges may apply.

Touch Up Paint Pens

We offer our proprietary paint colors in a Paint Pen.

Part Numbers

Color	Paint Pen
White	PEN-WH
Neutral	PEN-NU
Graystone	PEN-GS
Caribbean Blue	PEN-CRB
Fawn	PEN-FN
Steel	PEN-ST
Putty	PEN-PT
Black	PEN-BK
Hi-Tech Gray	PEN-HTG



Modifications and Customizations

In many instances, the customer can best be served by tailoring the enclosure to their individual specifications. Below is a sampling of the most common modifications.

Overall Foot-print

The chart below shows typical ranges to which this product line can be modified in terms of usable height, depth and width. Standard* sizes are indicated.

U's	1U	3U	5U	7U	9U	11U	13U	15U	17U	19U	21U	23U	25U	27U	29U	31U	33U	35U	37U	39U	41U	43U	45U	47U	49U
Inches	1.75	5.25	8.75	12.25	15.75	19.25	22.75	26.25	29.75	33.25	36.75	40.25	43.75	47.25	50.75	54.25	57.75	61.25	64.75	68.25	71.75	75.25	78.75	82.25	85.75
Usable Height				6U	10U	12U	16U	20U	25U	30U	35U	40U	45U												
Overall Depth					18.500	22.000	25.500	30.750																	
Overall Width						21.062	26.062	32.062																	

*Modifications to the standard foot-print may affect static load ratings, center of gravity and other performance.

Strut Locations:

Struts can be relocated to meet specific customer application needs.

Cut-Outs & Holes:

Cut-outs and holes are available in multiple sizes, shapes and locations on doors, panels, and some frames.

Multiple Doors:

Cabinets can accept multiple doors to segregate / secure select components inside.

Casters:

Specialty casters can accommodate heavy loads, terrains and shock absorption needs.

Ground Studs:

Ground studs may be placed in any location, as needed.

Assembly / Wiring:

Pre-assembly or pre-wiring can be performed during the manufacturing process.

Paint / Decals:

Custom color, texture, ink stamping or silk screen can be applied or incorporated as necessary.

Cable Management:

Wire management accessories can be designed or procured to ease integration and wiring.

Service Panels:

Additional panels can be added to complement customer's routine service needs.

Frames

Frame Overview

The following types and sizes of frames are available. Dimensions are overall.

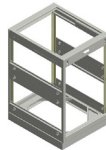
Vertical Frames



3 Widths	21.062" (19" EIA Rack Width)
	26.062" (24" EIA Rack Width)
	32.062" (30" EIA Rack Width)
4 Depths	18.500" (18)
	22.000" (22)
	25.500" (25)
	30.750" (30)
9 Heights	29.500" (12U Usable Rack Space)
	36.500" (16U Usable Rack Space)
	42.125" (20U Usable Rack Space)
	47.375" (23U Usable Rack Space)
	50.875" (25U Usable Rack Space)
	59.625" (30U Usable Rack Space)
	68.375" (35U Usable Rack Space)
	77.125" (40U Usable Rack Space)
	85.875" (45U Usable Rack Space)

Wedge frames available.

-WT Style Frames



3 Widths	21.062" (19" EIA Rack Width)
	26.062" (24" EIA Rack Width)
	32.062" (30" EIA Rack Width)
4 Depths	18.500" (18)
	22.000" (22)
	25.500" (25)
	30.750" (30)
2 Heights	29.500" (12U Usable Rack Space)
	36.500" (16U Usable Rack Space)

Wedge frames available.

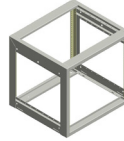
Slope Front Frames



3 Widths	21.062" (19" EIA Rack Width)
	26.062" (24" EIA Rack Width)
	32.062" (30" EIA Rack Width)
3 Base Depths	22.000" (22)
	25.500" (25)
	30.750" (30)
3 Slope Heights	13.375" (6U Usable Rack Space)
	20.375" (10U Usable Rack Space)
	27.375" (14U Usable Rack Space)

Wedge frames available.

Instrument Frames



3 Widths	21.062" (19" EIA Rack Width)
	26.062" (24" EIA Rack Width)
	32.062" (30" EIA Rack Width)
4 Depths	16.587" (16)
	18.867" (18)
	21.837" (21)
	24.117" (24)
3 Heights	12.562" (6U Usable Rack Space)
	19.562" (10U Usable Rack Space)
	23.062" (12U Usable Rack Space)

Turrets for use on Top of Frames



3 Widths	21.062" (19" EIA Rack Width)
	26.062" (24" EIA Rack Width)
	32.062" (30" EIA Rack Width)
3 Depths	22.000" (22)
	25.500" (25)
	30.750" (30)
3 Degrees	20°
	25°
	35°

Turrets for use on the Front of Frames



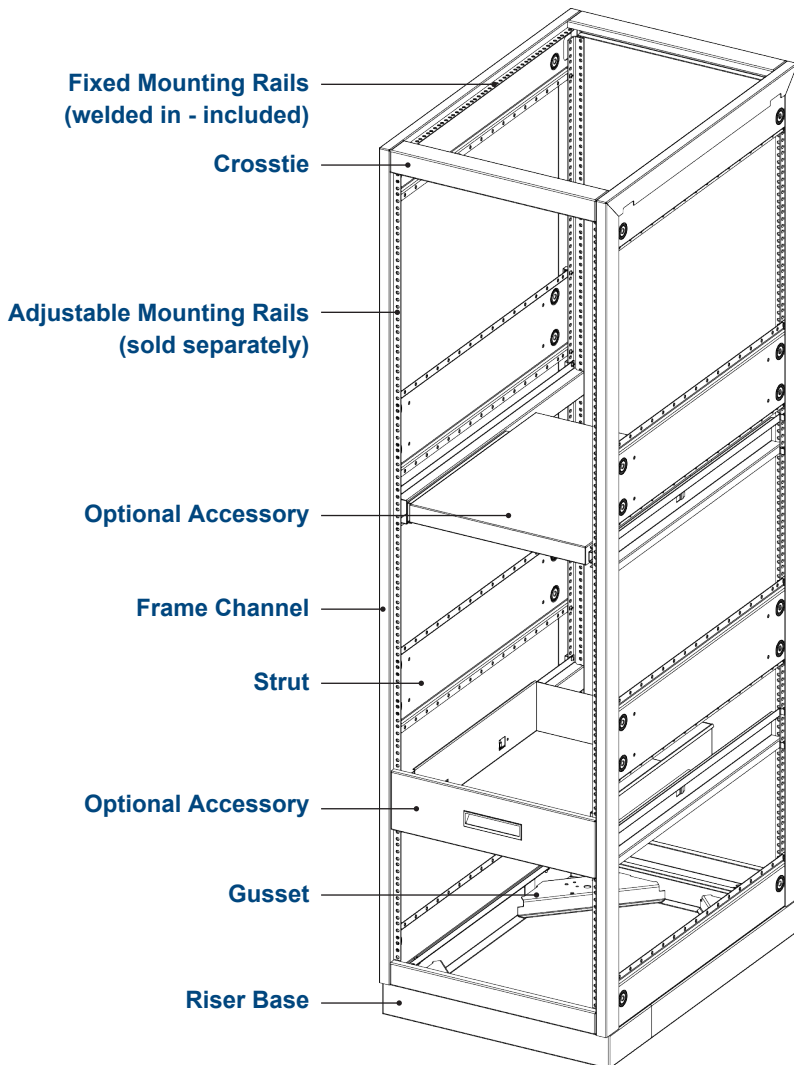
19° Turret	
3 Widths	21.062" (19" EIA Rack Width)
	26.062" (24" EIA Rack Width)
	32.062" (30" EIA Rack Width)
2 Heights	17.500" (8U Usable Rack Space)
	24.500" (14U Usable Rack Space)
35° Turret	
3 Widths	21.062" (19" EIA Rack Width)
	26.062" (24" EIA Rack Width)
	32.062" (30" EIA Rack Width)
1 Height	17.500" (10U Usable Rack Space)
55° Turret	
3 Widths	21.062" (19" EIA Rack Width)
	26.062" (24" EIA Rack Width)
	32.062" (30" EIA Rack Width)
2 Heights	9.266" (6U & 4U Usable Rack Space)
	11.453" (8U & 5U Usable Rack Space)



800 lb. Static Load Capacity

ESQ frames are fully welded and can handle 800 lbs. of equipment evenly distributed in the frame.

- 14-gauge steel - Crosstie
- 14-gauge steel - Frame Channel
- 14-gauge steel - Riser Base (Pontoon Base)
- 16-gauge steel - Other Components



Frame Joining Hardware (sold separately)



Extra Mounting Hardware (sold separately)



12U Vertical Frames

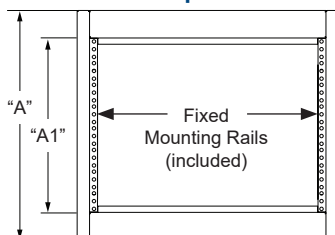
12U Vertical Frames

These vertical frames allow for mounting of standard EIA electronic components. They can be used as a stand alone frame, joined together in a row (joining hardware included), or used in combination with wedge frames. The 3" riser base is included and comes bolted to the frame. Accessories such as shelves, drawers, power, and cable managers can be added per application requirements. The use of a work surface in conjunction with this frame is not recommended. There are purpose built frames with the proper provisions for mounting a work surface available.

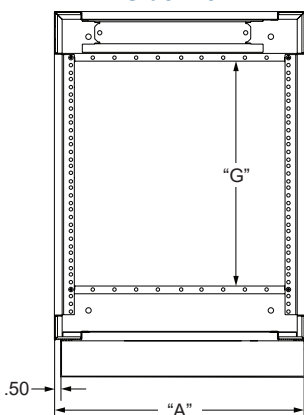
Part Numbers

19" EIA Rack Width		24" EIA Rack Width		30" EIA Rack Width		"A" Overall Depth	"A1" Top/Bottom Opening	"B" Overall Height	"B1" Usable Height	12U	Struts	"G"
"C" Overall Width		"C" Overall Width		"C" Overall Width								
SFR-182119	21.062	SFR-182124	26.062	SFR-182130	32.062	18.500	14.000	8U	29.500	21.000	2	18.156
SFR-222119	21.062	SFR-222124	26.062	SFR-222130	32.062	22.000	17.500	10U	29.500	21.000	2	18.156
SFR-252119	21.062	SFR-252124	26.062	SFR-252130	32.062	25.500	21.000	12U	29.500	21.000	2	18.156
SFR-302119	21.062	SFR-302124	26.062	SFR-302130	32.062	30.750	26.250	15U	29.500	21.000	2	18.156

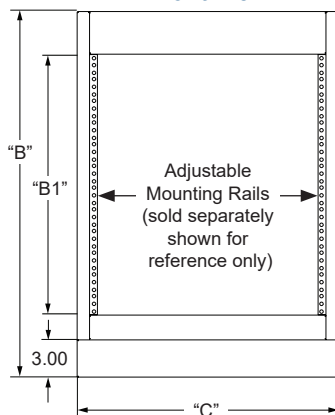
Top View



Side View



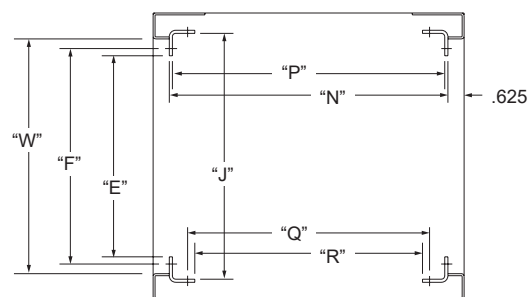
Front View



Section View Dimensions

	"W"	"F"	"E"	"J"	"P"	"N"	"Q"	"R"
22.00" Overall Depth					20.510	20.750	19.336	18.786
25.50" Overall Depth					24.010	24.250	22.836	22.286
30.75" Overall Depth					29.260	29.500	28.086	27.536
19" EIA Width	19.062	18.310	17.760	19.484				
24" EIA Width	24.062	23.310	22.760	24.484				
30" EIA Width	30.062	29.310	28.760	30.484				

Section View



12U “Desk Height” Vertical Frames with Work Surface Mounting Provisions

12U “Desk Height” Vertical Frames with Work Surface Mounting Provisions

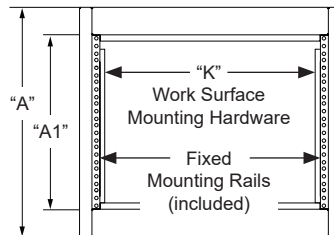
These vertical frames allow for mounting of standard EIA electronic components and include work surface mounting hardware provisions. They can be used individually, joined together in a row (joining hardware included), or used in combination with wedge frames to create “desk height” work station configurations. The 3” riser base is included and comes bolted to the frame. Accessories such as shelves, drawers, power, and cable managers can be added per application requirements. Don’t forget the work surface, which is sold separately.

Part Numbers

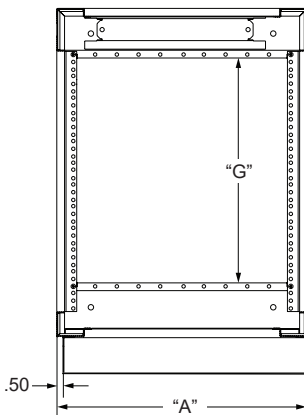
19" EIA Rack Width		24" EIA Rack Width		30" EIA Rack Width		"A" Overall Depth	"A1" Top/Bottom Opening	"B" Overall Height	"B1" Usable Height	12U	Struts	"G"
	"C" Overall Width		"C" Overall Width		"C" Overall Width							
SFR-182119-WT	21.062	SFR-182124-WT	26.062	SFR-182130-WT	32.062	18.500	14.000	8U	29.500	21.000	2	18.156
SFR-222119-WT	21.062	SFR-222124-WT	26.062	SFR-222130-WT	32.062	22.000	17.500	10U	29.500	21.000	2	18.156
SFR-252119-WT	21.062	SFR-252124-WT	26.062	SFR-252130-WT	32.062	25.500	21.000	12U	29.500	21.000	2	18.156
SFR-302119-WT	21.062	SFR-302124-WT	26.062	SFR-302130-WT	32.062	30.750	26.250	15U	29.500	21.000	2	18.156

"K" Clearance is reduced 3.874" due to work surface mounting hardware.

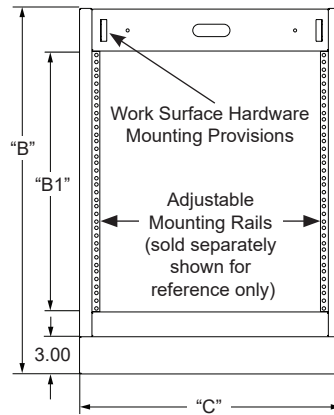
Top View



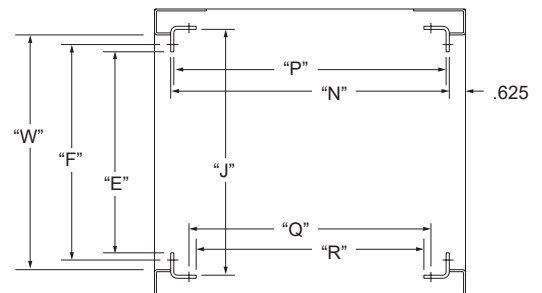
Side View



Front View



Section View



Section View Dimensions

	"W"	"F"	"E"	"J"	"P"	"N"	"Q"	"R"
22.00" Overall Depth					20.510	20.750	19.336	18.786
25.50" Overall Depth					24.010	24.250	22.836	22.286
30.75" Overall Depth					29.260	29.500	28.086	27.536
19" EIA Width	19.062	18.310	17.760	19.484				
24" EIA Width	24.062	23.310	22.760	24.484				
30" EIA Width	30.062	29.310	28.760	30.484				

16U Vertical Frames

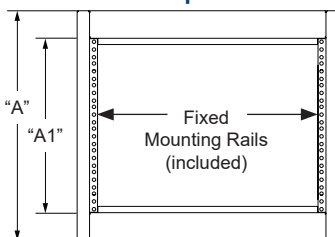
16U Vertical Frames

These vertical frames allow for mounting of standard EIA electronic components. They can be used as a stand alone frame, joined together in a row (joining hardware included), or used in combination with wedge frames. The 3" riser base is included and comes bolted to the frame. Accessories such as shelves, drawers, power, and cable managers can be added per application requirements. The use of a work surface in conjunction with this frame is not recommended. There are purpose built frames with the proper provisions for mounting a work surface available.

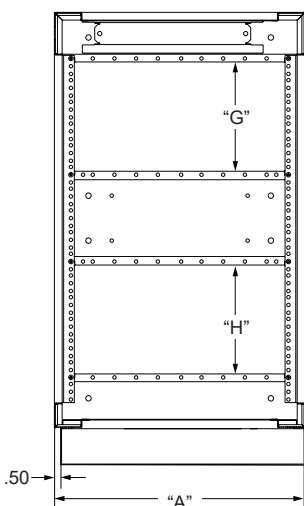
Part Numbers

19" EIA Rack Width		24" EIA Rack Width		30" EIA Rack Width		"A"	"A1"	"B"	"B1"	Struts	"G"	"H"		
	"C" Overall Width		"C" Overall Width		"C" Overall Width	Overall Depth	Top/Bottom Opening	Overall Height	Usable Height					
SFR-182819	21.062	SFR-182824	26.062	SFR-182830	32.062	18.500	14.000	8U	36.500	28.000	16U	3	8.188	8.781
SFR-222819	21.062	SFR-222824	26.062	SFR-222830	32.062	22.000	17.500	10U	36.500	28.000	16U	3	8.188	8.781
SFR-252819	21.062	SFR-252824	26.062	SFR-252830	32.062	25.500	21.000	12U	36.500	28.000	16U	3	8.188	8.781
SFR-302819	21.062	SFR-302824	26.062	SFR-302830	32.062	30.750	26.250	15U	36.500	28.000	16U	3	8.188	8.781

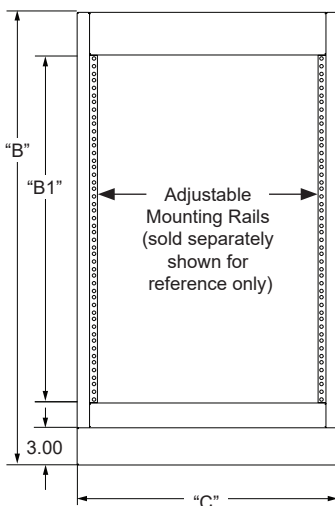
Top View



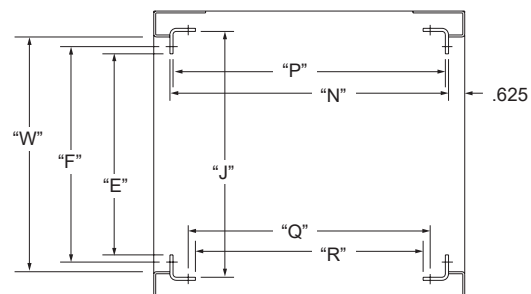
Side View



Front View



Section View



Section View Dimensions

	"W"	"F"	"E"	"J"	"P"	"N"	"Q"	"R"
22.00" Overall Depth					20.510	20.750	19.336	18.786
25.50" Overall Depth					24.010	24.250	22.836	22.286
30.75" Overall Depth					29.260	29.500	28.086	27.536
19" EIA Width	19.062	18.310	17.760	19.484				
24" EIA Width	24.062	23.310	22.760	24.484				
30" EIA Width	30.062	29.310	28.760	30.484				

16U “Counter Height” Vertical Frames with Work Surface Mounting Provisions

16U “Counter Height” Vertical Frames with Work Surface Mounting Provisions

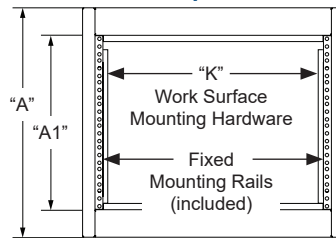
These vertical frames allow for mounting of standard EIA electronic components and include work surface mounting hardware provisions. They can be used individually, joined together in a row (joining hardware included), or used in combination with wedge frames to create “counter height” work station configurations. The 3” riser base is included and comes bolted to the frame. Accessories such as shelves, drawers, power, and cable managers can be added per application requirements. Don't forget the work surface, which is sold separately.

Part Numbers

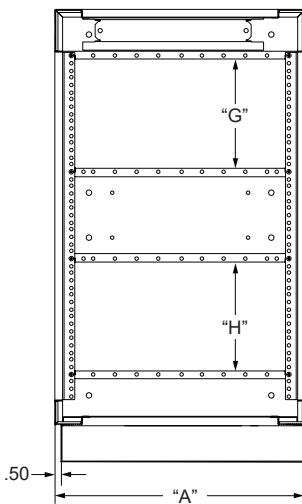
19" EIA Rack Width		24" EIA Rack Width		30" EIA Rack Width		"A" Overall Depth	"A1" Top/Bottom Opening	"B" Overall Height	"B1" Usable Height	Struts	"G"	"H"		
	"C" Overall Width		"C" Overall Width		"C" Overall Width									
SFR-182819-WT	21.062	SFR-182824-WT	26.062	SFR-182830-WT	32.062	18.500	14.000	8U	36.500	28.000	16U	3	8.188	8.781
SFR-222819-WT	21.062	SFR-222824-WT	26.062	SFR-222830-WT	32.062	22.000	17.500	10U	36.500	28.000	16U	3	8.188	8.781
SFR-252819-WT	21.062	SFR-252824-WT	26.062	SFR-252830-WT	32.062	25.500	21.000	12U	36.500	28.000	16U	3	8.188	8.781
SFR-302819-WT	21.062	SFR-302824-WT	26.062	SFR-302830-WT	32.062	30.750	26.250	15U	36.500	28.000	16U	3	8.188	8.781

"K" Clearance is reduced 3.874" due to work surface mounting hardware.

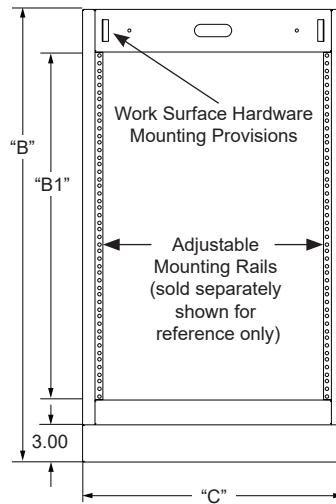
Top View



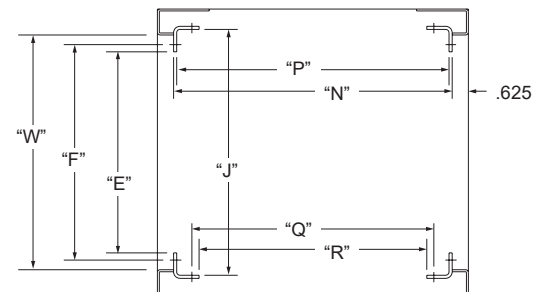
Side View



Front View



Section View



Section View Dimensions

	"W"	"F"	"E"	"J"	"P"	"N"	"Q"	"R"
22.00" Overall Depth					20.510	20.750	19.336	18.786
25.50" Overall Depth					24.010	24.250	22.836	22.286
30.75" Overall Depth					29.260	29.500	28.086	27.536
19" EIA Width	19.062	18.310	17.760	19.484				
24" EIA Width	24.062	23.310	22.760	24.484				
30" EIA Width	30.062	29.310	28.760	30.484				

20U, 23U, 25U, 30U Vertical Frames

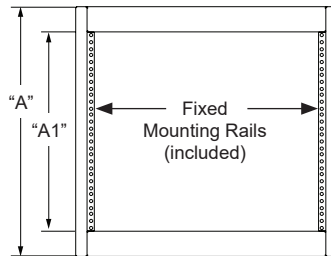
Vertical Frames

These vertical frames allow for mounting of standard EIA electronic components. They can be used as a stand alone frame, joined together in a row (joining hardware included), or used in combination with wedge frames to create console or work station configurations. The 3" riser base is included and comes bolted to the frame. Accessories such as shelves, drawers, power, cable managers, or even a work surface can be added per application requirements.

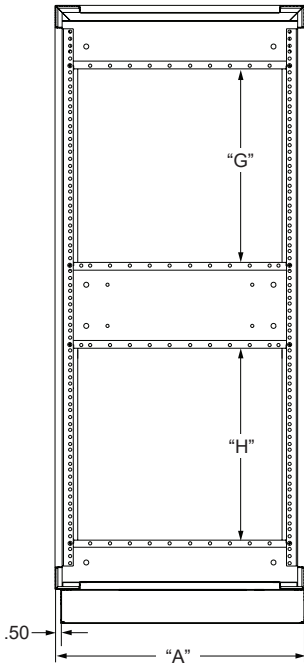
Part Numbers

19" EIA Rack Width		24" EIA Rack Width		30" EIA Rack Width		"A" Overall Depth	"A1" Top/Bottom Opening	"B" Overall Height	"B1" Usable Height		Struts	"G"	"H"	
	"C" Overall Width		"C" Overall Width		"C" Overall Width									
SFR-223519	21.062	SFR-223524	26.062	SFR-223530	32.062	22.000	17.500	10U	42.125	35.000	20U	3	11.698	9.938
SFR-253519	21.062	SFR-253524	26.062	SFR-253530	32.062	25.500	21.000	12U	42.125	35.000	20U	3	11.698	9.938
SFR-224019	21.062	SFR-224024	26.062	SFR-224030	32.062	22.000	17.500	10U	47.375	40.250	23U	3	13.938	12.938
SFR-254019	21.062	SFR-254024	26.062	SFR-254030	32.062	25.500	21.000	12U	47.375	40.250	23U	3	13.938	12.938
SFR-224319	21.062	SFR-224324	26.062	SFR-224330	32.062	22.000	17.500	10U	50.875	43.750	25U	3	15.188	15.188
SFR-254319	21.062	SFR-254324	26.062	SFR-254330	32.062	25.500	21.000	12U	50.875	43.750	25U	3	15.188	15.188
SFR-304319	21.062	SFR-304324	26.062	SFR-304330	32.062	30.750	26.250	15U	50.875	43.750	25U	3	15.188	15.188
SFR-225219	21.062	SFR-225224	26.062	SFR-225230	32.062	22.000	17.500	10U	59.625	52.500	30U	3	18.688	20.438
SFR-255219	21.062	SFR-255224	26.062	SFR-255230	32.062	25.500	21.000	12U	59.625	52.500	30U	3	18.688	20.438
SFR-305219	21.062	SFR-305224	26.062	SFR-305230	32.062	30.750	26.250	15U	59.625	52.500	30U	3	18.688	20.438

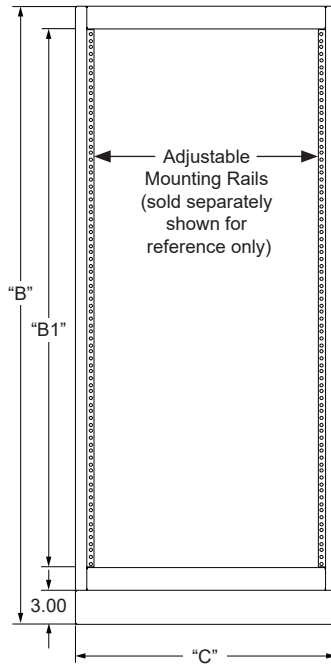
Top View



Side View



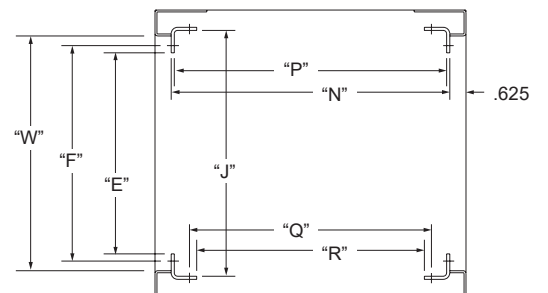
Front View



Section View Dimensions

	"W"	"F"	"E"	"J"	"P"	"N"	"Q"	"R"
22.00" Overall Depth					20.510	20.750	19.336	18.786
25.50" Overall Depth					24.010	24.250	22.836	22.286
30.75" Overall Depth					29.260	29.500	28.086	27.536
19" EIA Width	19.062	18.310	17.760	19.484				
24" EIA Width	24.062	23.310	22.760	24.484				
30" EIA Width	30.062	29.310	28.760	30.484				

Section View



35U, 40U, 45U Vertical Frames

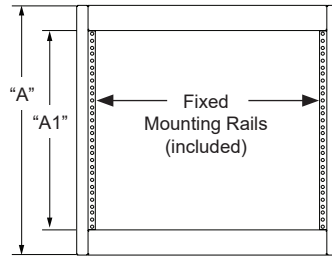
Vertical Frames with 4 Struts

These vertical frames allow for mounting of standard EIA electronic components. They can be used as a stand alone frame, joined together in a row (joining hardware included), or used in combination with wedge frames to create console or work station configurations. The 3" riser base is included and comes bolted to the frame. Accessories such as shelves, drawers, power, cable managers, or even a work surface can be added per application requirements.

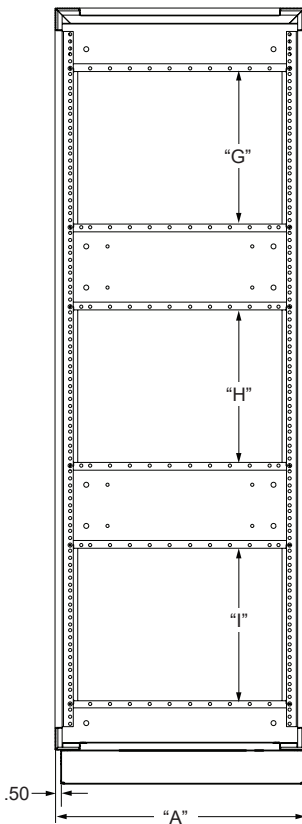
Part Numbers

19" EIA Rack Width		24" EIA Rack Width		30" EIA Rack Width		"A" Overall Depth	"A1" Top/Bottom Opening	"B" Overall Height	"B1" Usable Height		Struts	"G"	"H"	"I"	
	"C" Overall Width		"C" Overall Width		"C" Overall Width										
SFR-226119	21.062	SFR-226124	26.062	SFR-226130	32.062	22.000	17.500	10U	68.375	61.250	35U	4	13.438	13.438	13.438
SFR-256119	21.062	SFR-256124	26.062	SFR-256130	32.062	25.500	21.000	12U	68.375	61.250	35U	4	13.438	13.438	13.438
SFR-306119	21.062	SFR-306124	26.062	SFR-306130	32.062	30.750	26.250	15U	68.375	61.250	35U	4	13.438	13.438	13.438
SFR-227019	21.062	SFR-227024	26.062	SFR-227030	32.062	22.000	17.500	10U	77.125	70.000	40U	4	16.938	15.188	16.938
SFR-257019	21.062	SFR-257024	26.062	SFR-257030	32.062	25.500	21.000	12U	77.125	70.000	40U	4	16.938	15.188	16.938
SFR-307019	21.062	SFR-307024	26.062	SFR-307030	32.062	30.750	26.250	15U	77.125	70.000	40U	4	16.938	15.188	16.938
SFR-227819	21.062	SFR-227824	26.062	SFR-227830	32.062	22.000	17.500	10U	85.875	78.750	45U	4	18.688	20.438	16.685
SFR-257819	21.062	SFR-257824	26.062	SFR-257830	32.062	25.500	21.000	12U	85.875	78.750	45U	4	18.688	20.438	16.685
SFR-307819	21.062	SFR-307824	26.062	SFR-307830	32.062	30.750	26.250	15U	85.875	78.750	45U	4	18.688	20.438	16.685

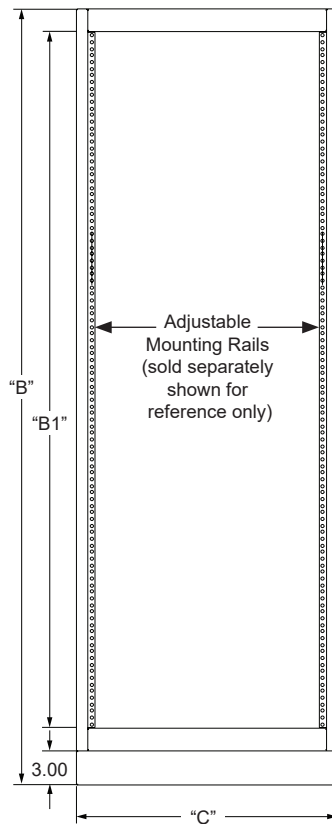
Top View



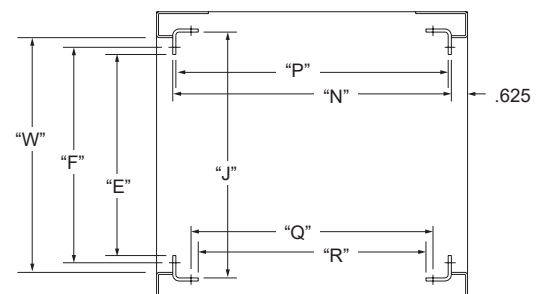
Side View



Front View



Section View



Section View Dimensions

	"W"	"F"	"E"	"J"	"P"	"N"	"Q"	"R"
22.00" Overall Depth					20.510	20.750	19.336	18.786
25.50" Overall Depth					24.010	24.250	22.836	22.286
30.75" Overall Depth					29.260	29.500	28.086	27.536
19" EIA Width	19.062	18.310	17.760	19.484				
24" EIA Width	24.062	23.310	22.760	24.484				
30" EIA Width	30.062	29.310	28.760	30.484				

Slope Front Frames (14U Slope Opening)

Slope Front Frames with a 14U Slope Opening

Slope front frames allow for mounting of standard EIA electronic components, controls, or interface equipment. Slope front frames with a 14U slope opening can be used as a stand alone frame, joined together in a row (joining hardware included), or used in combination with wedge frames to create console or work station configurations. The 3" riser base is included and comes bolted to the frame. Accessories such as shelves, drawers, or even a work surface can be added per application requirements. Add an instrument frame and/or a riser frame on the top of the slope front frame for even more rack mount capacity.

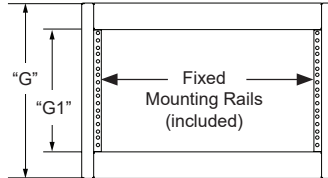
Part Numbers

19" EIA Rack Width		Depth					Height				Slope Area							
	"C" Overall Width	"A" Overall Base	Bottom Panel Opening	"G" Overall Top	"G1" Top Panel Opening	"M" Overall Front	"M1" Usable Front	"B" Overall Rear	"B1" Usable Rear	"D" Overall Height	"D1" Usable Height	"X" Max Depth	"Y" Max Depth					
SFRS-222419	21.062	22.000	17.500	10U	13.087	8.750	5U	27.688	24.500	14U	56.578	49.000	28U	27.375	24.500	14U	13.063	17.281
SFRS-252419	21.062	25.500	21.000	12U	16.587	12.250	7U	27.688	24.500	14U	56.578	49.000	28U	27.375	24.500	14U	16.750	21.000
SFRS-302419	21.062	30.750	26.250	15U	21.837	17.500	10U	27.688	24.500	14U	56.578	49.000	28U	27.375	24.500	14U	22.188	26.500

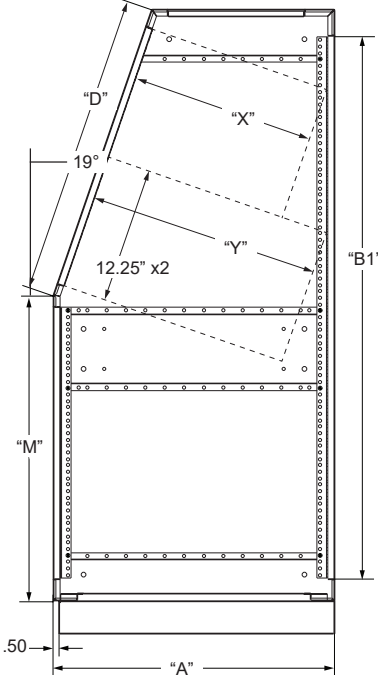
24" EIA Rack Width		Depth					Height				Slope Area							
	"C" Overall Width	"A" Overall Base	Bottom Panel Opening	"G" Overall Top	"G1" Top Panel Opening	"M" Overall Front	"M1" Usable Front	"B" Overall Rear	"B1" Usable Rear	"D" Overall Height	"D1" Usable Height	"X" Max Depth	"Y" Max Depth					
SFRS-222424	26.062	22.000	17.500	10U	13.087	8.750	5U	27.688	24.500	14U	56.578	49.000	28U	27.375	24.500	14U	13.063	17.281
SFRS-252424	26.062	25.500	21.000	12U	16.587	12.250	7U	27.688	24.500	14U	56.578	49.000	28U	27.375	24.500	14U	16.750	21.000
SFRS-302424	26.062	30.750	26.250	15U	21.837	17.500	10U	27.688	24.500	14U	56.578	49.000	28U	27.375	24.500	14U	22.188	26.500

30" EIA Rack Width		Depth					Height				Slope Area							
	"C" Overall Width	"A" Overall Base	Bottom Panel Opening	"G" Overall Top	"G1" Top Panel Opening	"M" Overall Front	"M1" Usable Front	"B" Overall Rear	"B1" Usable Rear	"D" Overall Height	"D1" Usable Height	"X" Max Depth	"Y" Max Depth					
SFRS-222430	32.062	22.000	17.500	10U	13.087	8.750	5U	27.688	24.500	14U	56.578	49.000	28U	27.375	24.500	14U	13.063	17.281
SFRS-252430	32.062	25.500	21.000	12U	16.587	12.250	7U	27.688	24.500	14U	56.578	49.000	28U	27.375	24.500	14U	16.750	21.000

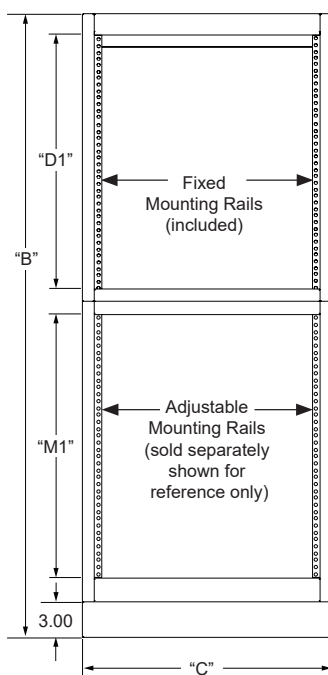
Top View



Side View



Front View



Slope Front Frames (10U Slope Opening)

Slope Front Frames with a 10U Slope Opening

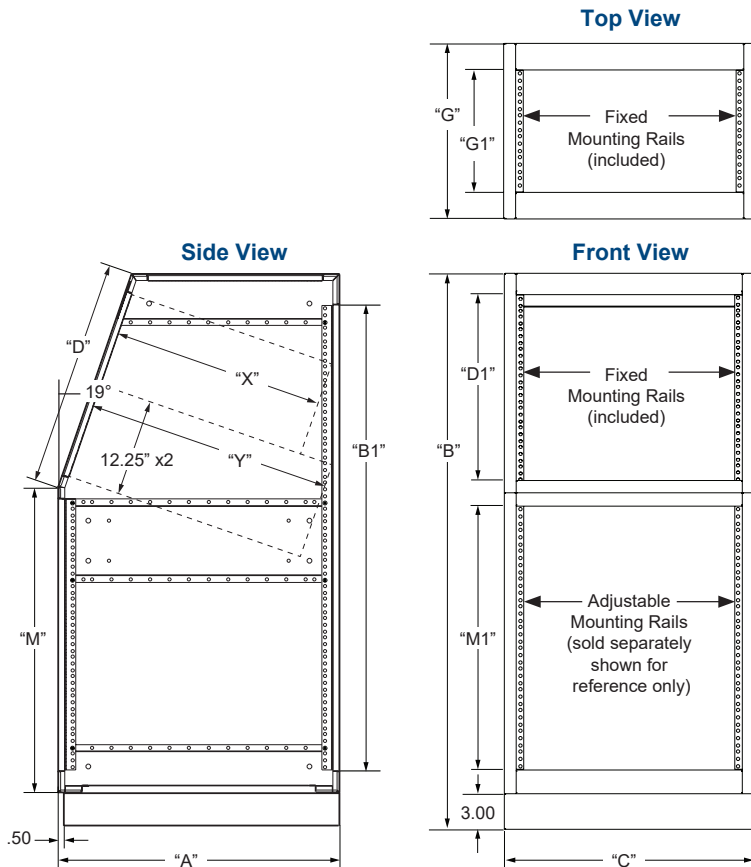
Slope front frames allow for mounting of standard EIA electronic components, controls, or interface equipment. Slope front frames with a 10U slope opening can be used as a stand alone frame, joined together in a row (joining hardware included), or used in combination with wedge frames to create console or work station configurations. The 3" riser base is included and comes bolted to the frame. Accessories such as shelves, drawers, or even a work surface can be added per application requirements. Add an instrument frame and/or a riser frame on the top of the slope front frame for even more rack mount capacity.

Part Numbers

19" EIA Rack Width		Depth					Height				Slope Area							
	"C" Overall Width	"A" Overall Base	Bottom Panel Opening	"G" Overall Top	"G1" Top Panel Opening	"M" Overall Front	"M1" Usable Front	"B" Overall Rear	"B1" Usable Rear	"D" Overall Height	"D1" Usable Height	"X" Max Depth	"Y" Max Depth					
SFRS-221719	21.062	22.000	17.500	10U	15.367	12.250	7U	27.688	24.500	14U	49.953	42.000	24U	20.375	17.500	10U	15.344	18.375
SFRS-251719	21.062	25.500	21.000	12U	18.867	15.750	9U	27.688	24.500	14U	49.953	42.000	24U	20.375	17.500	10U	19.031	22.063
SFRS-301719	21.062	30.750	26.250	15U	24.117	21.000	12U	27.688	24.500	14U	49.953	42.000	24U	20.375	17.500	10U	24.563	27.625

24" EIA Rack Width		Depth					Height				Slope Area							
	"C" Overall Width	"A" Overall Base	Bottom Panel Opening	"G" Overall Top	"G1" Top Panel Opening	"M" Overall Front	"M1" Usable Front	"B" Overall Rear	"B1" Usable Rear	"D" Overall Height	"D1" Usable Height	"X" Max Depth	"Y" Max Depth					
SFRS-221724	26.062	22.000	17.500	10U	15.367	12.250	7U	27.688	24.500	14U	49.953	42.000	24U	20.375	17.500	10U	15.344	18.375
SFRS-251724	26.062	25.500	21.000	12U	18.867	15.750	9U	27.688	24.500	14U	49.953	42.000	24U	20.375	17.500	10U	19.031	22.063
SFRS-301724	26.062	30.750	26.250	15U	24.117	21.000	12U	27.688	24.500	14U	49.953	42.000	24U	20.375	17.500	10U	24.563	27.625

30" EIA Rack Width		Depth					Height				Slope Area							
	"C" Overall Width	"A" Overall Base	Bottom Panel Opening	"G" Overall Top	"G1" Top Panel Opening	"M" Overall Front	"M1" Usable Front	"B" Overall Rear	"B1" Usable Rear	"D" Overall Height	"D1" Usable Height	"X" Max Depth	"Y" Max Depth					
SFRS-221730	32.062	22.000	17.500	10U	15.367	12.250	7U	27.688	24.500	14U	49.953	42.000	24U	20.375	17.500	10U	15.344	18.375
SFRS-251730	32.062	25.500	21.000	12U	18.867	15.750	9U	27.688	24.500	14U	49.953	42.000	24U	20.375	17.500	10U	19.031	22.063



Slope Front Frames (6U Slope Opening)

Slope Front Frames with a 6U Slope Opening

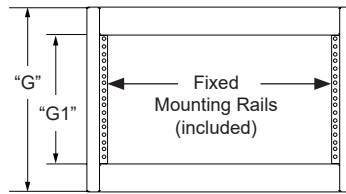
Slope front frames allow for mounting of standard EIA electronic components, controls, or interface equipment. Slope front frames with a 6U slope opening can be used as a stand alone frame or joined together in a row (joining hardware included) to create console configurations. The 3" riser base is included and comes bolted to the frame. Accessories such as shelves, drawers, or even a work surface can be added per application requirements. Wedge frames and instrument frames are not compatible.

Part Numbers

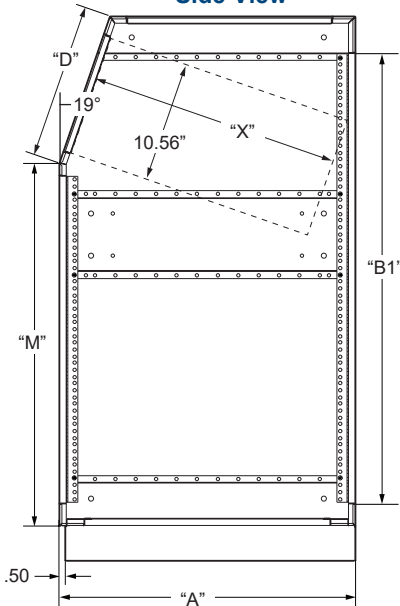
19" EIA Rack Width		Depth						Height				Slope Area					
	"C" Overall Width	"A" Overall Base	Bottom Panel Opening	"G" Overall Top	"G1" Top Panel Opening		"M" Overall Front	"M1" Usable Front	"B" Overall Rear	"B1" Usable Rear		"D" Overall Height	"D1" Usable Height	"X" Max Depth			
SFRS-221019	21.062	22.000	17.500	10U	17.646	14.000	8U	31.198	28.000	16U	46.844	38.500	22U	13.375	10.500	6U	17.750
SFRS-251019	21.062	25.500	21.000	12U	21.146	17.500	10U	31.198	28.000	16U	46.844	38.500	22U	13.375	10.500	6U	21.438

24" EIA Rack Width		Depth						Height				Slope Area					
	"C" Overall Width	"A" Overall Base	Bottom Panel Opening	"G" Overall Top	"G1" Top Panel Opening		"M" Overall Front	"M1" Usable Front	"B" Overall Rear	"B1" Usable Rear		"D" Overall Height	"D1" Usable Height	"X" Max Depth			
SFRS-221024	26.062	22.000	17.500	10U	17.646	14.000	8U	31.198	28.000	16U	46.844	38.500	22U	13.375	10.500	6U	17.750
SFRS-251024	26.062	25.500	21.000	12U	21.146	17.500	10U	31.198	28.000	16U	46.844	38.500	22U	13.375	10.500	6U	21.438

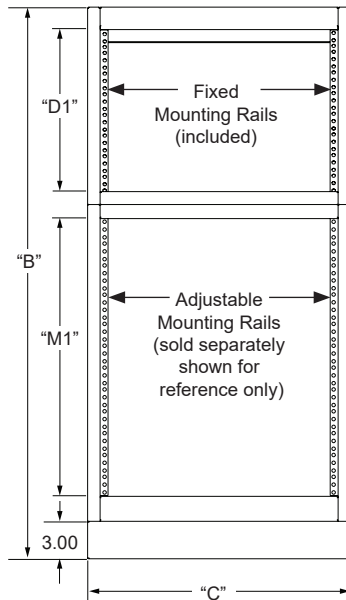
Top View



Side View



Front View



Riser Base (Pontoon Base)

Riser Base (Pontoon Base)

A 3" riser base is supplied with each vertical and slope front frame to accommodate caster or leveler mounting. The riser base can be flipped over and used for floor tie down applications, or can be removed if desired. Since riser bases are mounted at the factory, these special requests must be specified at the time of order placement.

Note: If a riser base (pontoon base) with a duplex outlet is required, two things must be done:

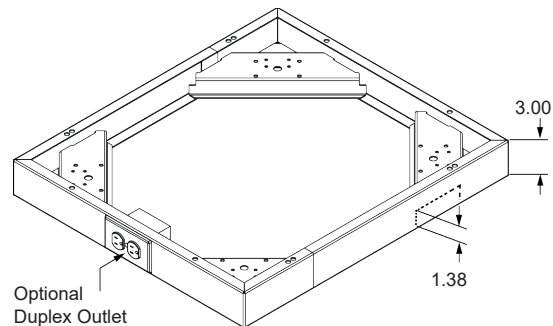
1. The standard riser base that is supplied with the frame must be removed. To do this add -LPB to the frame part number.
2. Add the riser base with the outlet provisions as a separate line item. Indicate if the outlet is to face front or rear.

Part Numbers

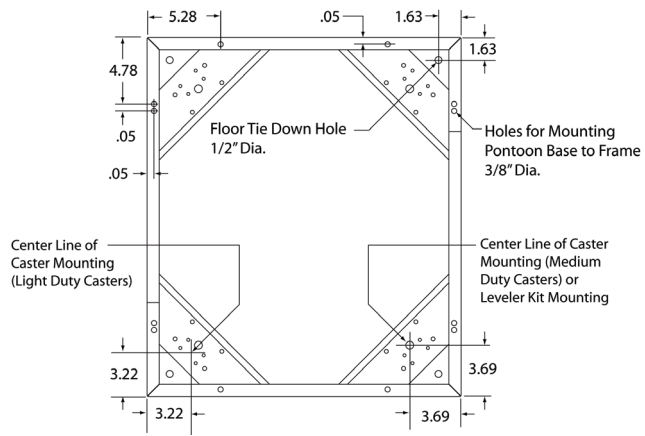
19" EIA Width		Use w/ Frames w/ this Overall Depth
No Outlet	With Outlet	
SPB-1819	SPB-1819-DO	18.500
SPB-2219	SPB-2219-DO	22.000
SPB-2519	SPB-2519-DO	25.500
SPB-3019	SPB-3019-DO	30.750

24" EIA Width		Use w/ Frames w/ this Overall Depth
No Outlet	With Outlet	
SPB-1824	SPB-1824-DO	18.500
SPB-2224	SPB-2224-DO	22.000
SPB-2524	SPB-2524-DO	25.500
SPB-3024	SPB-3024-DO	30.750

30" EIA Width		Use w/ Frames w/ this Overall Depth
No Outlet	With Outlet	
SPB-1830	SPB-1830-DO	18.500
SPB-2230	SPB-2230-DO	22.000
SPB-2530	SPB-2530-DO	25.500
SPB-3030	SPB-3030-DO	30.750



Riser (Pontoon Base)
[14-gauge steel]



Riser Bottom View Detail

Mounting Rails

Mounting Rails

Choose from three styles of mounting rails. "Round/Round".281" diameter round holes on both flanges of the mounting rail, "Tapped/Round".159" diameter tapped holes (10-32 NF2) on the front flange, and .281" diameter round holes on the side flange of the mounting rail, or "Tapped/Tapped".159" diameter tapped holes (10-32 NF2) on both flanges of the mounting rail. The rails are processed to specification ASTM-B633 which calls for electro-deposited zinc plating with a clear chromate conversion coating.

Square Hole/Dell® Mounting Rails

These mounting rails allow Dell® rack mountable components to be installed in all ESQ® frames. Hole to hole spacing is EIA standard. These rails do not have a side flange. Only front flange mount accessories can be mounted to this item.

Mounting Straps

Mounting straps are used when there is a mix of different depth accessories in a frame. Straps allow full depth items that require a rear attach point to pass by the strap and attach to the rail behind it. The straps are processed to specification ASTM-B633 which calls for electro-deposited zinc plating with a clear chromate conversion coating and include rack unit markings. Only accessories that are side mount style can be mounted to a strap.

Part Numbers

Round/Round	Tapped/Round	Tapped/Tapped	Square Hole/Dell®	Mounting Strap	Use in Frames with this Usable Height
-------------	--------------	---------------	-------------------	----------------	---------------------------------------

For use with Instrument Frames

PMA-10A	PMA-10A-1032-1	contact factory	contact factory	contact factory	10.500 6U
PMA-17A	PMA-17A-1032-1	contact factory	contact factory	contact factory	17.500 10U
PMA-21A	PMA-21A-1032-1	contact factory	contact factory	contact factory	21.000 12U

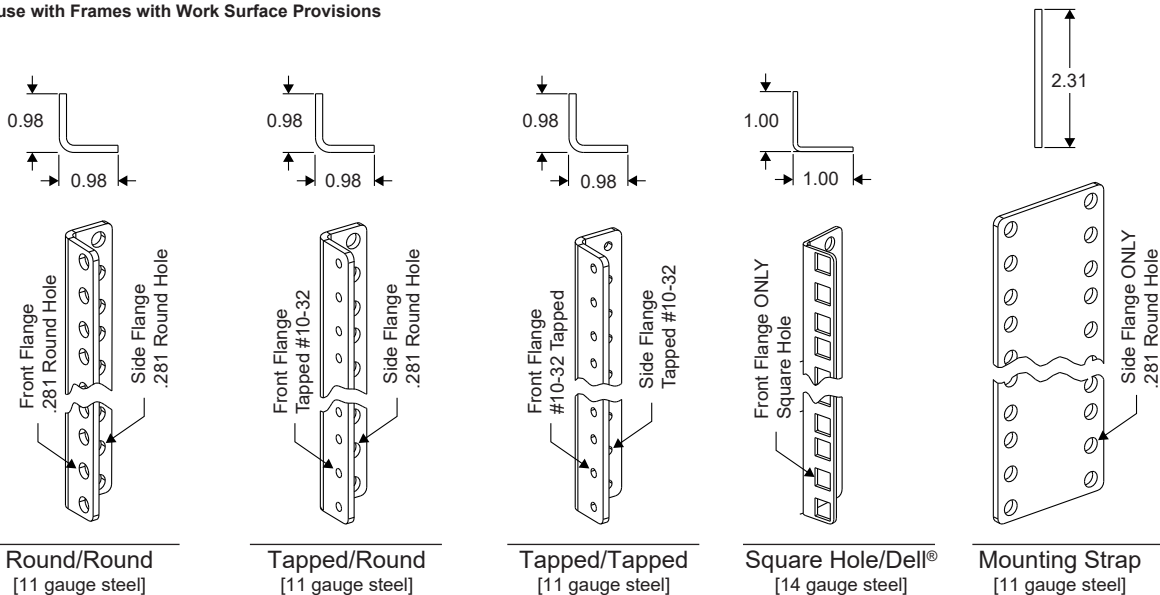
For use with Vertical Frames

PMA-21A*	PMA-21A-1032-1*	PMA-21A-1032-2*	DPMA-21*	MS-21*	21.000 12U
PMA-28A*	PMA-28A-1032-1*	PMA-28A-1032-2*	DPMA-28*	MS-28*	28.000 16U
PMA-35A	PMA-35A-1032-1	PMA-35A-1032-2	DPMA-35	MS-35	35.000 20U
PMA-40A	PMA-40A-1032-1	PMA-40A-1032-2	DPMA-40	MS-40	40.250 23U
PMA-43A	PMA-43A-1032-1	PMA-43A-1032-2	DPMA-43	MS-43	43.750 25U
PMA-52A	PMA-52A-1032-1	PMA-52A-1032-2	DPMA-52	MS-52	52.500 30U
PMA-61A	PMA-61A-1032-1	PMA-61A-1032-2	DPMA-61	MS-61	61.250 35U
PMA-70A	PMA-70A-1032-1	PMA-70A-1032-2	DPMA-70	MS-70	70.000 40U
PMA-78A	PMA-78A-1032-1	PMA-78A-1032-2	DPMA-78	MS-78	78.750 45U

For Use with Slope Front Frames

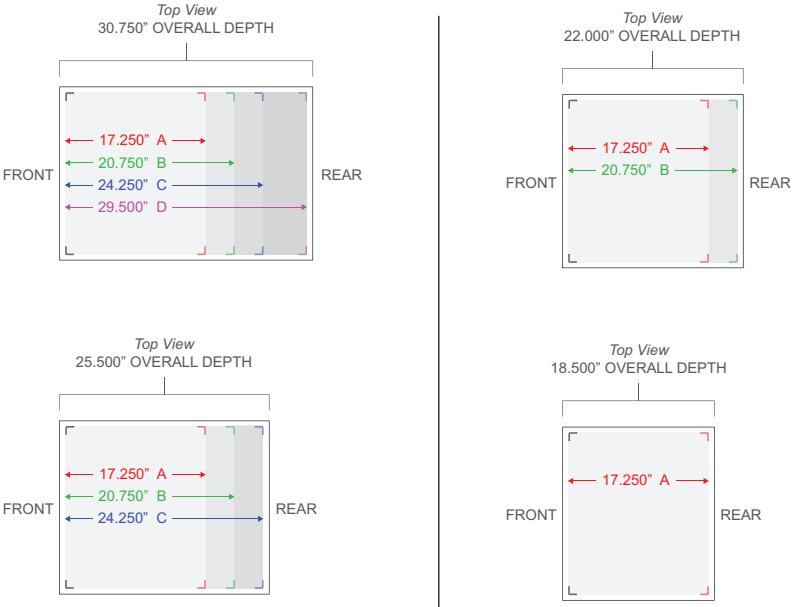
PMA-24A (front)	PMA-24A-1032-1 (front)	PMA-24A-1032-2 (front)	contact factory	MS-24 (front)	24.500 14U
PMA-28A (front)	PMA-28A-1032-1 (front)	PMA-28A-1032-2 (front)	contact factory	MS-28 (front)	28.000 16U
PMA-38A (rear)	PMA-38A-1032-1 (rear)	PMA-38A-1032-2 (rear)	contact factory	MS-38 (rear)	38.000 22U
PMA-42A (rear)	PMA-42A-1032-1 (rear)	PMA-42A-1032-2 (rear)	contact factory	MS-42 (rear)	42.000 24U
PMA-49A (rear)	PMA-49A-1032-1 (rear)	PMA-49A-1032-2 (rear)	contact factory	MS-49 (rear)	49.000 28U

*For use with Frames with Work Surface Provisions



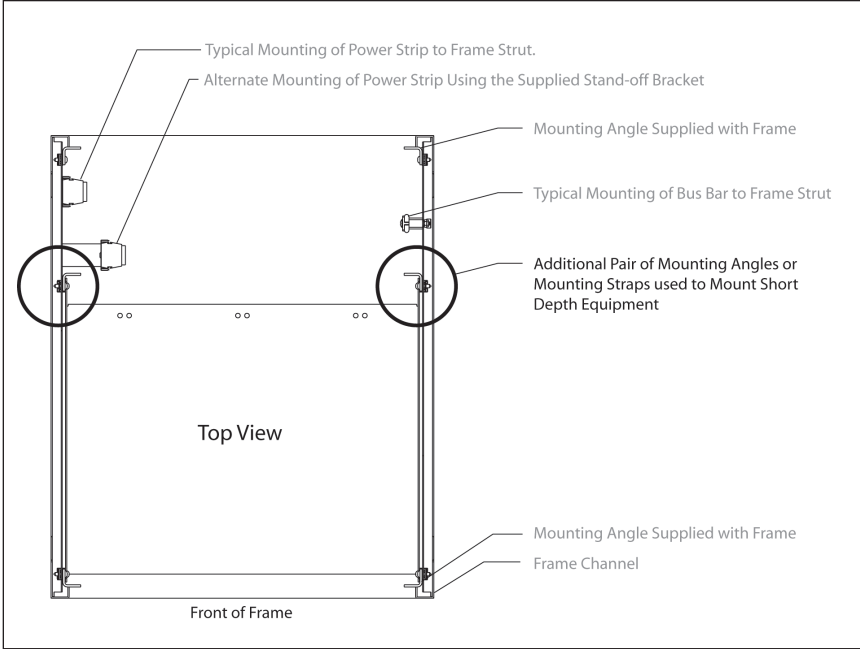
Rail to Rail Settings

The rear rails inside of a frame can be positioned in multiple locations, or multiple sets of rails may be used. The following images indicate standard rail locations that will allow Emcor components to be properly positioned based on frame depth.



Short Depth Equipment

When full height items are mounted in the rear of a frame and internal components such as fixed equipment shelves, chassis guides, work surface drawers, pull out shelves, and work surface hardware is also required, these items must be ordered in a shorter depth so as not to interfere with the full height item. In most cases an extra pair of mounting rails or straps will need to be ordered to facilitate mounting of the shorter depth items. Refer to the example below.



Example

A customer requests a frame that has a 19" panel width, a depth of 30.75" and 40U of usable rack space. (SFR-307019) The customer requires a power strip and a bus bar, as well as a pull out shelf in the enclosure. What do you do?

Simply order a shorter depth shelf and an extra pair of mounting rails or straps.

In this case you would order:

- SCSQ-2519 - solid pull out shelf
- MS-70 - extra pair of mounting straps

Panel Width Reducers

Panel Width Adapter Kits and Optional Filler Panels

Panel width adapter kits provide a means of reducing the entire panel width from 24" to 19" adding approximately 2.5" of available space between the frame and rails on each side of the frame. Order one kit per pair of mounting rails. If both the front and rear openings are to be reduced, then two of the appropriate kits must be ordered. The appropriate kit to be specified is determined by the number of struts on the frame.

Optional Filler Panels

Add optional filler panel to close off the 2.5" wide opening between the frame and mounting rails. Closing off the opening aids in airflow management. It also provides a finished appearance. Sold as pairs, the filler panels are a painted item.

Part Numbers

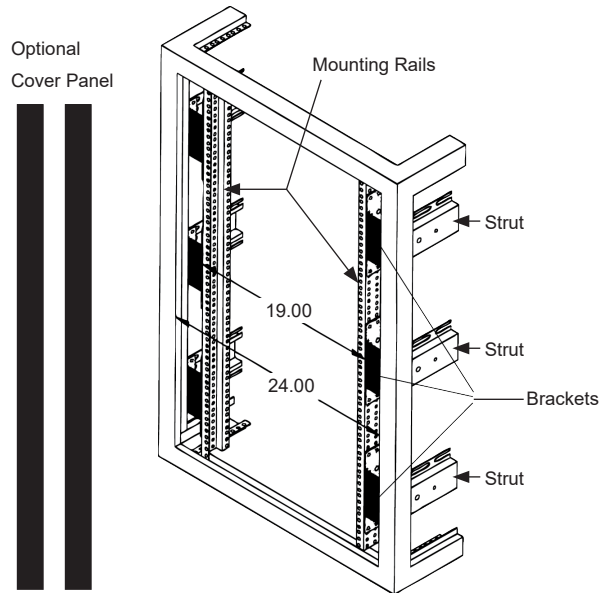
Panel Width Adapter Kit	Optional Cover Panel Sold as a pair	Use in frames with this usable height
-------------------------	--	---

For use with Vertical frames.

PWAK-02	PWAK-212419-FP	21.000	12U
PWAK-03	PWAK-282419-FP	28.000	16U
PWAK-03	PWAK-352419-FP	35.000	20U
PWAK-03	PWAK-402419-FP	40.250	23U
PWAK-03	PWAK-432419-FP	43.750	25U
PWAK-03	PWAK-522419-FP	52.500	30U
PWAK-04	PWAK-612419-FP	61.250	35U
PWAK-04	PWAK-702419-FP	70.000	40U
PWAK-04	PWAK-782419-FP	78.750	45U

For Use with Slope Front frames.

PWAK-02 (front)	contact factory	24.500	14U
PWAK-02 (front)	contact factory	28.000	16U
PWAK-03 (rear)	contact factory	38.000	22U
PWAK-03 (rear)	contact factory	42.000	24U
PWAK-03 (rear)	contact factory	49.000	28U



	Number of Frame Struts per Side	Number of Brackets in Kit
PWAK-02	2	4
PWAK-03	3	6
PWAK-04	4	8

Note

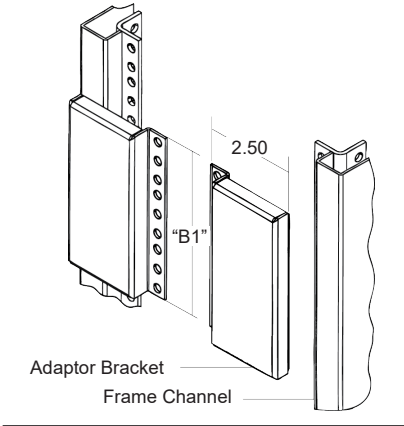
Kit does not include the mounting rails, they are shown for reference only. Optional cover panels sold as pairs.

Panel Width Adapter Brackets

Adapter Brackets provide a means of reducing portions of the panel width from 24" to 19" while maintaining a finished appearance. If the equipment that is being mounted to the brackets has adequate rear supports within the frame the recommended load rating is 300 pounds. The recommended load rating for equipment that is front mounted is 150 pounds.

Part Numbers

	"B1"	# of Rack Units Used
ABA-05	5.250	3U
ABA-07	7.000	4U
ABA-08	8.750	5U
ABA-10	10.500	6U
ABA-12	12.250	7U



Adapter Brackets
[14-gauge steel]

Anti-tip/Caster Dolly Base

Anti-tip/Caster Dolly

This base is most commonly used for anti-tip requirements. The base replaces the 3" riser base and mounts flush to sides of the frame which it is mounted to. It is designed to overhang the depth of the frame 8.5 inches. Casters are required and sold separately.

Note: If an anti-tip/caster dolly base required, two things must be done:

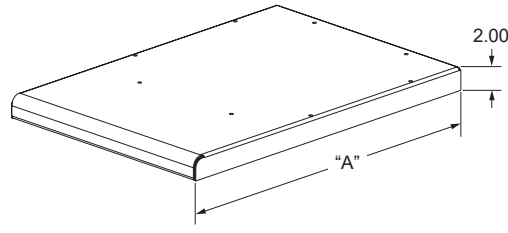
1. The standard riser base that is supplied with the frame must be removed. To do this add -LPB to the frame part number.
2. Add the anti-tip/caster dolly base as a separate line item.

Part Numbers

19" EIA Width	"A" Overall Depth	Use w/ Frames w/ this Overall Depth
SPB-2219-AT	30.500	22.000
SPB-2519-AT	34.000	25.500
SPB-3019-AT	39.250	30.750

24" EIA Width	"A" Overall Depth	Use w/ Frames w/ this Overall Depth
SPB-2224-AT	30.500	22.000
SPB-2524-AT	34.000	25.500
SPB-3024-AT	39.250	30.750

30" EIA Width	"A" Overall Depth	Use w/ Frames w/ this Overall Depth
SPB-2230-AT	30.500	22.000
SPB-2530-AT	34.000	25.500
SPB-3030-AT	39.250	30.750



Anti-tip/Caster Dolly Base

Casters for Anti-tip / Caster Dolly

Choose from rigid or swivel casters. The casters (which must be ordered separately) are positioned by the outer edge of the base at each corner. Use locking casters to keep the enclosure firmly in place when activated.

Casters

Part Number

HW-4989



Part Number

HW-4999

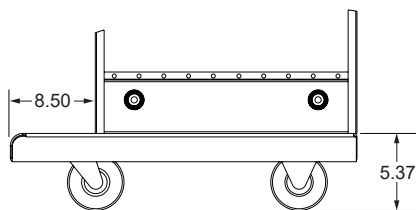


Part Number

HW-4999-LK










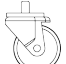

Load Rating	Caster Style						Description	Sold As	Where Used
	Swivel Style	Rigid Style	Locking	Non-Locking	Single Wheel	Dual Wheel			
300 lbs. per caster		x		x	x		4" Polypropylene	Pair (2)	Anti Tip / Caster Dolly Only
300 lbs. per caster	x			x	x		4" Polypropylene	Pair (2)	Anti Tip / Caster Dolly Only
300 lbs. per caster	x		x		x		4" Polypropylene	Pair (2)	Anti Tip / Caster Dolly Only



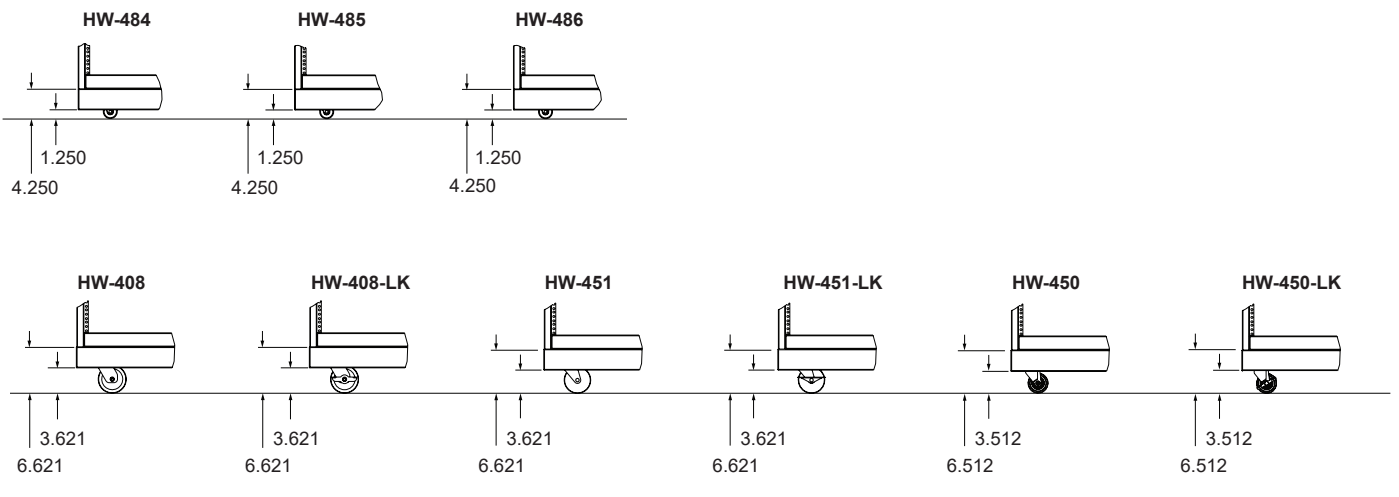
Frame with Base and Casters Installed

Casters

A variety of casters with different weight load capacities are available. All casters **must be** used in conjunction with the riser base.

Part Number	Image	Load Rating	Caster Style						Description	Sold As	Where Used
			Swivel Style	Rigid Style	Locking	Non-Locking	Single Wheel	Dual Wheel			
Part Number HW-484		75 lbs. per caster	x			x	x		2" Soft Rubber	Set (4)	Directly on Riser Base (pontoon base) Only
Part Number HW-485		75 lbs. per caster	x			x	x		2" Polypropylene	Set (4)	Directly on Riser Base (pontoon base) Only
Part Number HW-486		180 lbs. per caster	x			x		x	2" Hard Rubber	Set (4)	Directly on Riser Base (pontoon base) Only
Part Number HW-408		200 lbs. per caster	x			x	x		4" Soft Rubber	Each (1)	Directly on Riser Base (pontoon base) Only
Part Number HW-408-LK		200 lbs. per caster	x		x		x		4" Soft Rubber	Each (1)	Directly on Riser Base (pontoon base) Only
Part Number HW-451		375 lbs. per caster	x			x	x		4" Hard Rubber	Each (1)	Directly on Riser Base (pontoon base) Only
Part Number HW-451-LK		375 lbs. per caster	x		x		x		4" Hard Rubber	Each (1)	Directly on Riser Base (pontoon base) Only
Part Number HW-450		350 lbs. per caster	x			x	x		3" Polypropylene	Each (1)	Directly on Riser Base (pontoon base) Only
Part Number HW-450-LK		350 lbs. per caster	x		x		x		3" Polypropylene	Each (1)	Directly on Riser Base (pontoon base) Only

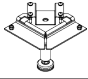


Height added when mounted to the Riser Base.



Caster/Leveler Combination Kits

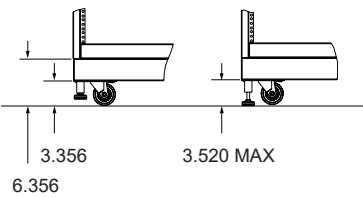
Caster/Leveler Combination Kits

Caster/Leveler Combination kits **must be** used in conjunction with the riser base. The kits include the levelers. The casters are sold separately, choose from locking or non-locking casters.

Leveler Kits - Caster Combo		Description						Sold As	Where Used		
Part Number UPLK-01		Leveler Kit - Casters Optional Includes Leveling Legs: HW-405 Casters Sold Separately: HW-450 or HW-450-LK						Set (4)	Directly on Riser Base (pontoon base) Only		
Optional Casters		Load Rating	Caster Style						Description	Sold As	Where Used
Part Number HW-450		350 lbs. per caster	x			x	x		3" Polypropylene	Each (1)	In Conjunction with UPLK-01 Leveler Kit
Part Number HW-450-LK		350 lbs. per caster	x		x		x		3" Polypropylene	Each (1)	In Conjunction with UPLK-01 Leveler Kit
			Swivel Style	Rigid Style	Locking	Non-Locking	Single Wheel	Dual Wheel			

Height added when mounted to the Riser Base.

UPLK-01 (shown w/ caster)



Leveler Kit - Levelers Only

Leveling legs help stabilize an enclosure. Leveler kits **must be** used conjunction with the riser base. The kits include the levelling leg and all mounting hardware.

Leveler Kits - Leveler Only

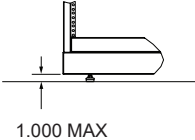
Part Number
ALDX-XXX-180019



Load Rating	Description	Sold As	Where Used
375 lbs. per leveler	Leveler Kit - Levelers Only Includes Leveling Legs: HW-405	Set (4)	Directly on Riser Base (pontoon base) Only

Height added when mounted to the Riser Base.

ALDX-XXX-180019



Wedge Frames for use with Vertical Style Frames

Vertical Wedge Frames

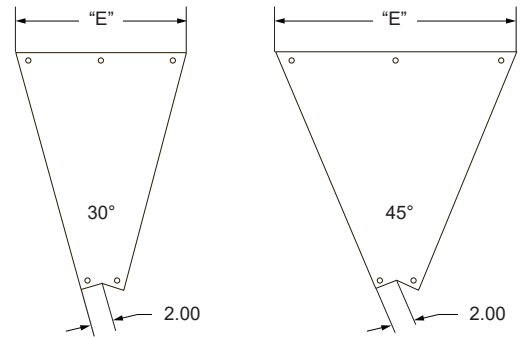
Vertical wedge frames, referred to as “flat pack wedge kits” due to the way they ship, can be used with vertical frames to create console or work station configurations. Vertical wedge frames come with the hardware necessary to bolt to the side of vertical frames. The height and depth of both the vertical frame and the wedge frame must be the same to be compatible. The wedge kit includes the 3” riser base and can be left off if the vertical frame is ordered without the riser.

Part Numbers

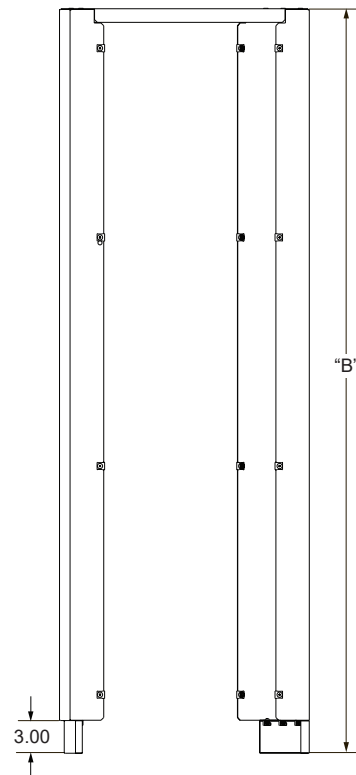
30° Wedge		45° Wedge		"B" Overall Height	Use w/ Frames w/ this Usable Height	Use w/ Frames w/ this Overall Depth	
	"E" Overall Width		"E" Overall Width				
WKV-182130	13.440	WKV-182145	17.855	29.500	21.000	12U	18.500
WKV-222130	15.252	WKV-222145	20.534	29.500	21.000	12U	22.000
WKV-252130	17.064	WKV-252145	23.212	29.500	21.000	12U	25.500
WKV-302130	19.781	WKV-302145	27.230	29.500	21.000	12U	30.750
WKV-182830	13.440	WKV-182845	17.855	36.500	28.000	16U	18.500
WKV-222830	15.252	WKV-222845	20.534	36.500	28.000	16U	22.000
WKV-252830	17.064	WKV-252845	23.212	36.500	28.000	16U	25.500
WKV-302830	19.781	WKV-302845	27.230	36.500	28.000	16U	30.750
WKV-223530	15.252	WKV-223545	20.534	42.125	35.000	20U	22.000
WKV-253530	17.064	WKV-253545	23.212	42.125	35.000	20U	25.500
WKV-224030	15.252	WKV-245045	20.534	47.375	40.250	23U	22.000
WKV-254030	17.064	WKV-254045	23.212	47.375	40.250	23U	25.500
WKV-224330	15.252	WKV-245345	20.534	50.875	43.750	25U	22.000
WKV-254330	17.064	WKV-254345	23.212	50.875	43.750	25U	25.500
WKV-304330	19.781	WKV-304345	27.230	50.875	43.750	25U	30.750
WKV-225230	15.252	WKV-225245	20.534	59.625	52.500	30U	22.000
WKV-255230	17.064	WKV-255245	23.212	59.625	52.500	30U	25.500
WKV-305230	19.781	WKV-305245	27.230	59.625	52.500	30U	30.750
WKV-226130	15.252	WKV-226145	20.534	68.375	61.250	35U	22.000
WKV-256130	17.064	WKV-256145	23.212	68.375	61.250	35U	25.500
WKV-306130	19.781	WKV-306145	27.230	68.375	61.250	35U	30.750
WKV-227030	15.252	WKV-227045	20.534	77.125	70.000	40U	22.000
WKV-257030	17.064	WKV-257045	23.212	77.125	70.000	40U	25.500
WKV-307030	19.781	WKV-307045	27.230	77.125	70.000	40U	30.750
WKV-227830	15.252	WKV-227845	20.534	85.875	78.750	45U	22.000
WKV-257830	17.064	WKV-257845	23.212	85.875	78.750	45U	25.500
WKV-307830	19.781	WKV-307845	27.230	85.875	78.750	45U	30.750

Note: Standard side panels will not mount to wedge frames.

Top View



Side View



Wedge Frames for use with Slope Front Style Frames

Slope Front Wedge Frames

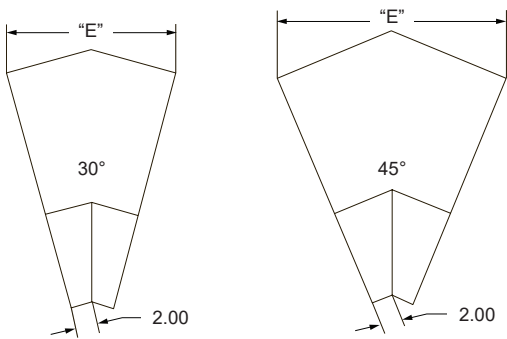
Slope front wedge frames can be used with slope front frames to create console or work station configurations. Slope front wedge frames come with the hardware necessary to bolt to the side of slope front frames. The height and depth of both the slope front frame and the wedge frame must be the same to be compatible. Slope front wedge frames are fully welded with solid non-removable front, top, and rear panels. The 3" riser base is bolted on and can be removed if the slope front frame is ordered without the riser.

Part Numbers

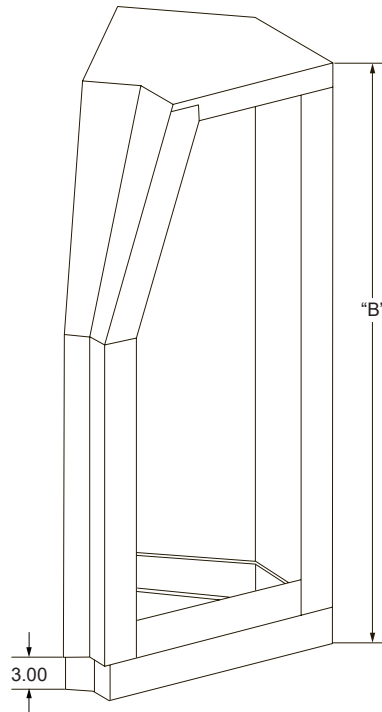
30° Wedge		45° Wedge		"B" Overall Height	Use w/ Frames w/ this Usable Height	Use w/ Frames w/ this Overall Depth	
	"E" Overall Width		"E" Overall Width				
SWFR-221730	15.250	SWFR-221745	20.531	49.953	42.000	24U	22.000
SWFR-251730	17.063	SWFR-251745	23.281	49.953	42.000	24U	25.500
SWFR-301730	19.781	SWFR-301745	27.234	49.953	42.000	24U	30.750
SWFR-222430	15.250	SWFR-222445	20.531	56.578	49.000	28U	22.000
SWFR-252430	17.063	SWFR-252445	23.281	56.578	49.000	28U	25.500
SWFR-302430	19.781	SWFR-302445	27.234	56.578	49.000	28U	30.750

Note: Standard side panels will not mount to wedge frames.

Top View



Side View



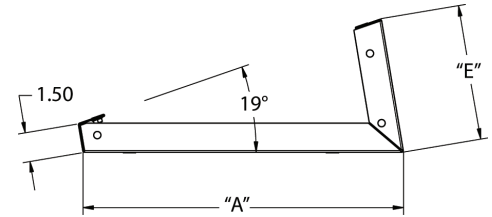
Riser and Instrument Frames

Riser Frames

Riser Frames are used to provide a 19° angle for instrument or monitor frames when mounted on top of slope-front base units. Includes a kit with joining hardware and rubber bumpers to avoid abrasion when joining.

Part Numbers

19" EIA Rack Width		24" EIA Rack Width		30" EIA Rack Width		"A"	"E"
	"C" Overall Width		"C" Overall Width		"C" Overall Width	Overall Depth	Riser Height
SFRR-1619	21.062	SFRR-1624	26.062	SFRR-1630	32.062	16.587	6.975
SFRR-1819	21.062	SFRR-1824	26.062	SFRR-1830	32.062	18.867	7.728
SFRR-2119	21.062	contact factory		contact factory		21.837	8.708
SFRR-2419	21.062	contact factory		contact factory		24.117	9.461



Instrument Frames

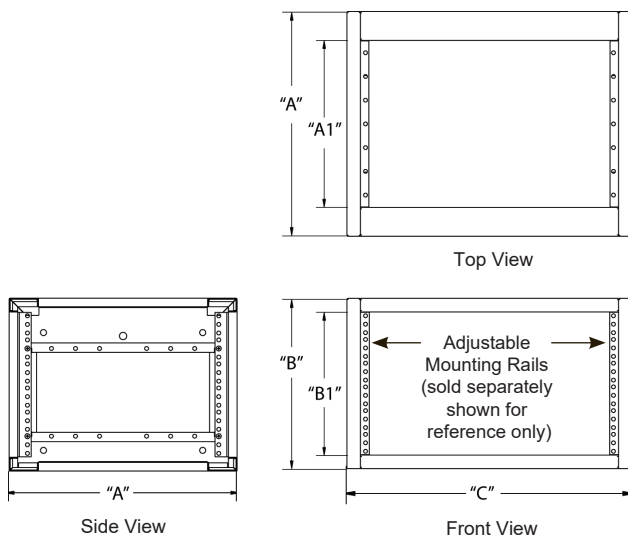
Instrument frames are designed to mount on top of slope-front base frames with a riser frame in between. Thru-Hole mounting rails are supplied with the frame, but Tapped 1 may be substituted. Includes a kit with joining hardware and rubber bumpers to avoid abrasion when joining.

Part Numbers

19" EIA Rack Width		24" EIA Rack Width		30" EIA Rack Width		"A"	"A1"	"B"	"B1"
	"C" Overall Width		"C" Overall Width		"C" Overall Width	Overall Depth	Top/ Bottom Opening	Overall Height	Usable Height
SFRI-161019	21.062	SFRI-161024	26.062	SFRI-161030	32.062	16.587	12.250 7U	12.562	10.500 6U
SFRI-181019	21.062	SFRI-181024	26.062	SFRI-181030	32.062	18.867	14.000 8U	12.562	10.500 6U
SFRI-211019	21.062	contact factory		contact factory		21.837	17.500 10U	12.562	10.500 6U
SFRI-241019	21.062	contact factory		contact factory		24.117	19.250 11U	12.562	10.500 6U
SFRI-161719	21.062	SFRI-161724	26.062	SFRI-161730	32.062	16.587	12.250 7U	19.562	17.500 10U
SFRI-181719	21.062	SFRI-181724	26.062	SFRI-181730	32.062	18.867	14.000 8U	19.562	17.500 10U
SFRI-211719	21.062	contact factory		contact factory		21.837	17.500 10U	19.562	17.500 10U
SFRI-241719	21.062	contact factory		contact factory		24.117	19.250 11U	19.562	17.500 10U
SFRI-162119	21.062	SFRI-162124	26.062	SFRI-162130	32.062	16.587	12.250 7U	23.062	21.000 12U
SFRI-182119	21.062	SFRI-182124	26.062	SFRI-182130	32.062	18.867	14.000 8U	23.062	21.000 12U
SFRI-212119	21.062	contact factory		contact factory		21.837	17.500 10U	23.062	21.000 12U
SFRI-242119	21.062	contact factory		contact factory		24.117	19.250 11U	23.062	21.000 12U

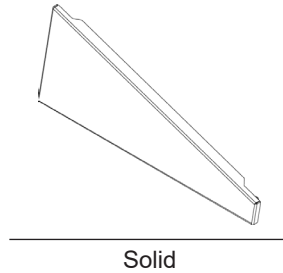
Note: Only front flange mounting accessories can be mounted inside of Instrument frames.

Example of how Riser and Instrument frames are used



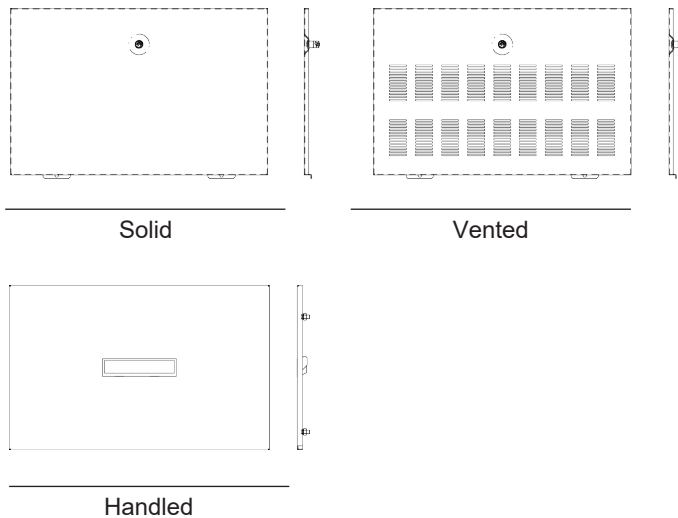
Riser Frame Side Panels

Formed Inside Removable Solid	
Left	Right
SSPR-16-LH	SSPR-16-RH
SSPR-18-LH	SSPR-18-RH
SSPR-21-LH	SSPR-21-RH
SSPR-24-LH	SSPR-24-RH



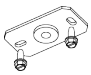


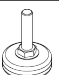
Instrument Frame Side Panels

Solid	Vented	Handled
SSPI-1610-S	SSPI-1610-V	SSPI-1610-H
SSPI-1617-S	SSPI-1617-V	SSPI-1617-H
SSPI-1621-S	SSPI-1621-V	SSPI-1621-H
SSPI-1810-S	SSPI-1810-V	SSPI-1810-H
SSPI-1817-S	SSPI-1817-V	SSPI-1817-H
SSPI-1821-S	SSPI-1821-V	SSPI-1821-H
SSPI-2110-S	SSPI-2110-V	SSPI-2110-H
SSPI-2117-S	SSPI-2117-V	SSPI-2117-H
SSPI-2121-S	SSPI-2121-V	SSPI-2121-H
SSPI-2410-S	SSPI-2410-V	SSPI-2410-H
SSPI-2417-S	SSPI-2417-V	SSPI-2417-H
SSPI-2421-S	SSPI-2421-V	SSPI-2421-H



Casters/Levelers for Instrument Frames

In addition to being used in conjunction with a riser frame on top of a slope front frame, Instrument frames can also be used as stand alone portable units. When using the instrument frame in this manner, a mounting kit can be used which allows for casters or levelers to be mounted to the bottom of the frame.

Part Number	Description	Sold As	Where Used
 MTGKIT-SFRI	Caster/Leveler Kit - To accommodate Casters or Levelers Casters or Levelers Sold Separately	Set (4)	Directly on Instrument Frames Only
 HW-990	Non-locking Caster	Each (1)	In Conjunction with MTGKIT-SFRI Only
 HW-990-LK	Locking Caster	Each (1)	In Conjunction with MTGKIT-SFRI Only
 HW-405	Leveler	Each (1)	In Conjunction with MTGKIT-SFRI Only

19° Turret Frames

Turret frames assist in providing proper viewing angles of electronic equipment and instrumentation. Turret frames are supplied with welded in-place mounting rails. Only front flange mounting accessories can be mounted inside of Turret frames. 30° & 45° wedge shaped turrets are available by contacting the factory. Includes a kit with joining hardware and rubber bumpers to avoid abrasion when joining.

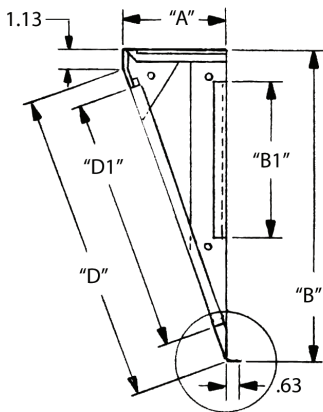
Turret – 19°

These turret frames are to be mounted to the front of frames.

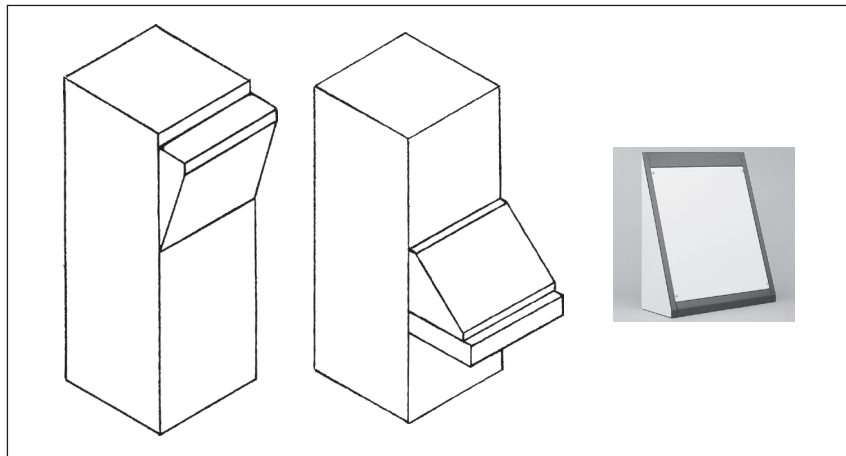
Part Numbers

19° EIA Width		24° EIA Width		30° EIA Width		"A" Overall Depth	"B" Overall Height	"B1" Usable Opening	"D" Overall Slope	"D1" Usable Slope		
"C" Overall Width	"C" Overall Width	"C" Overall Width	"C" Overall Width									
SFR-57A	21.062	SFR-257A	26.062	SFR-457A	32.062	5.641	17.500	8.750	5U	17.313	14.000	8U
SFR-58A	21.062	SFR-258A	26.062	SFR-458A	32.062	8.047	24.500	15.750	9U	24.359	21.000	12U

Note: The tip of this frame (circled) has a flange which fits into the .625" recess of the vertical frame, closing off any gap between the turret and the next panel or piece of equipment.



Examples of how 19° Turrets can be used.

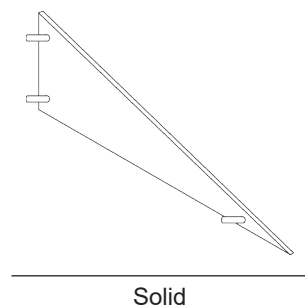


Turret Side Panels

Turret side panels are available and must be ordered in addition to the frame, if desired. Refer to the ordering guide for proper sizing.

Part Numbers

Flat Inside Removable Solid	
Left	Right
SSP-57A-LH	SSP-57A-RH
SSP-58A-LH	SSP-58A-RH



Turrets - 20°, 25° and 35°

These turret frames are to be mounted on top of frames providing flexibility in configuring sloped and console configurations. Includes a kit with joining hardware and rubber bumpers to avoid abrasion when joining.

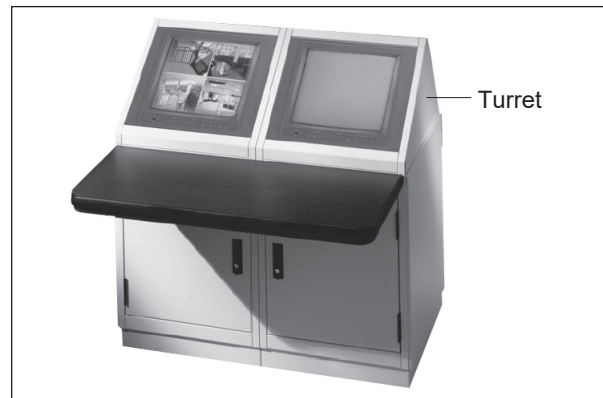
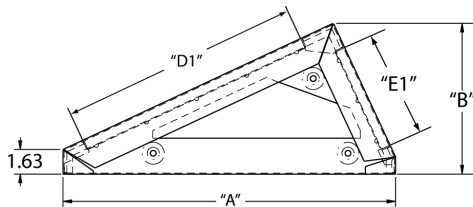
Part Numbers

20° Turret						"A" Overall Depth	"B" Overall Height	"D1" Usable Slope	"E1" Usable Slope		
19" EIA Width		24" EIA Width		30" EIA Width							
	"C" Overall Width		"C" Overall Width		"C" Overall Width						
SFRT-2219-20	21.062	SFRT-2224-20	26.062	SFRT-2230-20	32.062	22.000	8.637	17.500	10U	5.250	3U
SFRT-2519-20	21.062	SFRT-2524-20	26.062	SFRT-2530-20	32.062	25.500	9.762	19.250	11U	7.000	4U
SFRT-3019-20	21.062	SFRT-3024-20	26.062	SFRT-3030-20	32.062	30.750	11.449	24.500	14U	8.750	5U

25° Turret						"A" Overall Depth	"B" Overall Height	"D1" Usable Slope	"E1" Usable Slope		
19" EIA Width		24" EIA Width		30" EIA Width							
	"C" Overall Width		"C" Overall Width		"C" Overall Width						
SFRT-2219-25	21.062	SFRT-2224-25	26.062	SFRT-2230-25	32.062	22.000	9.962	15.750	9U	7.000	4U
SFRT-2519-25	21.062	SFRT-2524-25	26.062	SFRT-2530-25	32.062	25.500	11.303	19.250	11U	8.750	5U
SFRT-3019-25	21.062	SFRT-3024-25	26.062	SFRT-3030-25	32.062	30.750	13.314	24.500	14U	10.500	6U

35° Turret						"A" Overall Depth	"B" Overall Height	"D1" Usable Slope	"E1" Usable Slope		
19" EIA Width		24" EIA Width		30" EIA Width							
	"C" Overall Width		"C" Overall Width		"C" Overall Width						
SFRT-2219-35	21.062	SFRT-2224-35	26.062	SFRT-2230-35	32.062	22.000	11.797	14.000	8U	10.500	6U
SFRT-2519-35	21.062	SFRT-2524-35	26.062	SFRT-2530-35	32.062	25.500	13.442	17.500	10U	12.250	7U
SFRT-3019-35	21.062	SFRT-3024-35	26.062	SFRT-3030-35	32.062	30.750	15.968	21.000	12U	14.000	8U

Example of how 20°, 25° and 35° Turrets can be used.

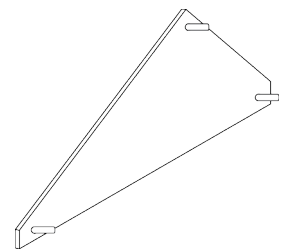


Turret Side Panels

Turret side panels are available and must be ordered in addition to the frame, if desired. Refer to the ordering guide for proper sizing.

Part Numbers

20° Turret		25° Turret		35° Turret	
Flat Inside Removable Solid		Flat Inside Removable Solid		Flat Inside Removable Solid	
Left	Right	Left	Right	Left	Right
SPT-22-20-LH	SPT-22-20-RH	SPT-22-25-LH	SPT-22-25-RH	SPT-22-35-LH	SPT-22-35-RH
SPT-25-20-LH	SPT-25-20-RH	SPT-25-25-LH	SPT-25-25-RH	SPT-25-35-LH	SPT-25-35-RH
SPT-30-20-LH	SPT-30-20-RH	SPT-30-25-LH	SPT-30-25-RH	SPT-30-35-LH	SPT-30-35-RH



Solid

55°/35° Turret Frames

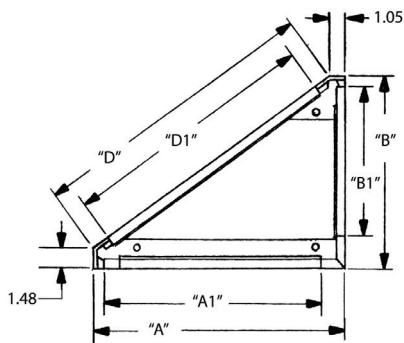
Turrets - 55°/35°

These turret frames can be used alone, as a table top unit, on a workbench, or on top of short vertical frames. This turret style can also be mounted to the front of vertical frames. This style turret has been developed to present either a 55° or 35° slope, depending upon how it is mounted. Includes a kit with joining hardware and rubber bumpers to avoid abrasion when joining.

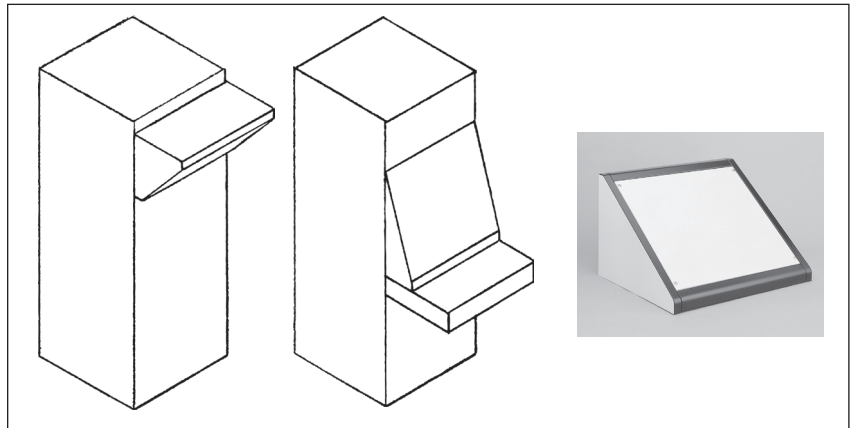
Part Numbers

19" EIA Width		24" EIA Width		30" EIA Width		"A" Overall	"A1" Usable Space	"B" Overall	"B1" Usable Space	"D" Overall	"D1" Usable Space	
	"C" Overall Width		"C" Overall Width		"C" Overall Width							
SFR-56A	21.062	SFR-256A	26.062	SFR-456A	32.062	17.500	15.125	13.016	10.141	20.094	17.500	10U

^Off-increment or "unique" panel size. *Off-increment or "unique" panel size.



Examples of how the 55°/35° turrets can be used.



Unique Turret Panels

In designing the 55°/35° turrets, and while maintaining EIA slope openings, it was necessary to have an off-increment rear and bottom panel opening. Special panels have been created to mount in these areas. Refer to the ordering guide for proper sizing.

Turret Side Panels

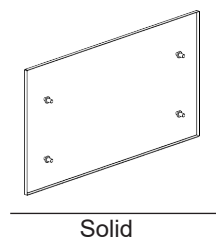
Turret side panels are available and must be ordered in addition to the frame, if desired. Refer to the ordering guide for proper sizing.

Part Numbers

19" EIA Width
Solid
*PN-1056A
^PN-1556A

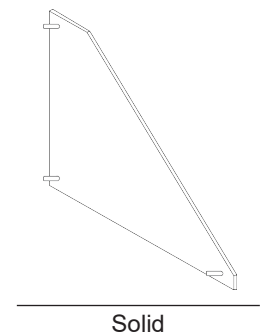
24" EIA Width
Solid
*PN-1056A-24
^PN-1556A-24

30" EIA Width
Solid
*PN-1056A-30
^PN-1556A-30



Part Numbers

Flat	
Inside Removable	
Solid	
Left	Right
SSP-56A-LH	SSP-56A-RH



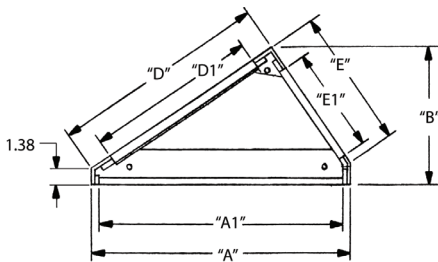
Turrets - 35°/55°

These turret frames can be used alone, as a table top unit, on a workbench, or on top of short vertical frames. This turret style can also be mounted to the front of vertical frames. This style turret has been developed to present either a 35° or 55° slope, depending upon how it is mounted. Includes a kit with joining hardware and rubber bumpers to avoid abrasion when joining.

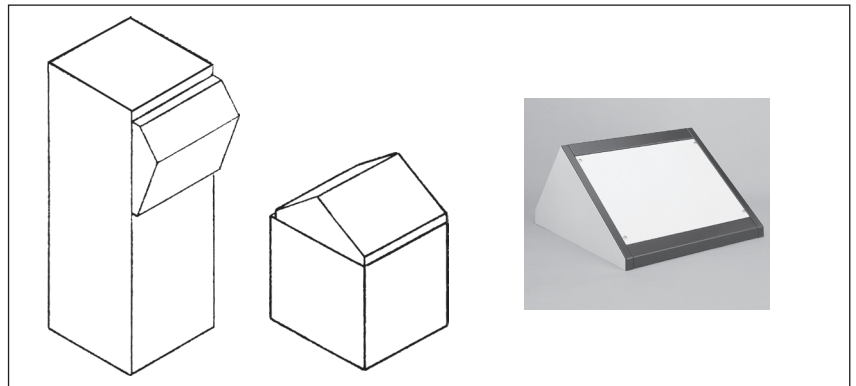
Part Numbers

19" EIA Width		24" EIA Width		30" EIA Width		"B" Overall Height	"A" Overall	"A1" Usable Space	"D" Overall	"D1" Usable Space	"E" Overall	"E1" Usable Space		
	"C" Overall Width		"C" Overall Width		"C" Overall Width									
SFR-54A	21.062	SFR-254A	26.062	SFR-454A	32.062	9.266	17.469	16.219	14.375	10.500	6U	9.938	7.000	4U
SFR-55A	21.062	SFR-255A	26.062	SFR-455A	32.062	11.453	21.344	20.094	17.875	14.000	8U	11.688	8.750	5U

▣ Off increment or "unique" panel size.



Examples of how the 35°/55° turrets can be used.



Unique Turret Panels

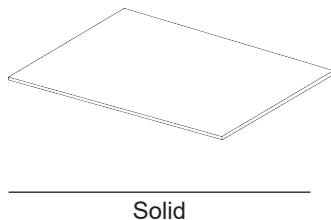
In designing the 35°/55° turrets, and while maintaining EIA standard slope openings, it was necessary to have an off-increment bottom panel opening. Special panels have been created to mount in this area. Refer to the ordering guide for proper sizing.

Part Numbers

19" EIA Width
Solid
▣BPN-54A
▣BPN-55A

24" EIA Width
Solid
▣BPN-54A-24
▣BPN-55A-24

30" EIA Width
Solid
▣BPN-54A-30
▣BPN-55A-30

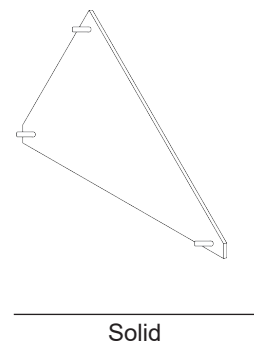


Turret Side Panels

Turret side panels are available and must be ordered in addition to the frame, if desired. Refer to the ordering guide for proper sizing.

Part Numbers

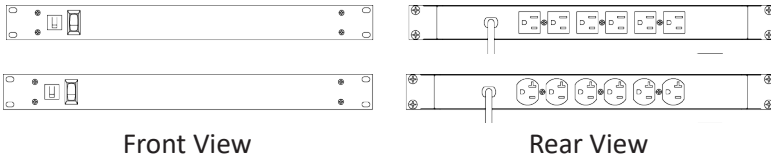
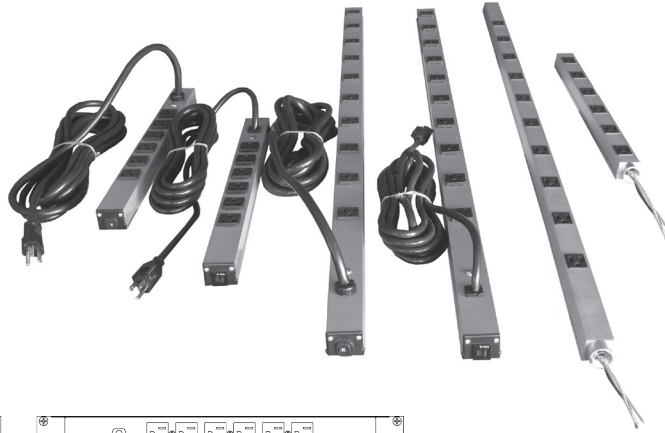
Flat Inside Removable Solid	
Left	Right
SSP-54A-LH	SSP-54A-RH
SSP-55A-LH	SSP-55A-RH



Power





Power

Available in a range of power capacities and configurations, basic PDUs provide reliable power distribution. They are the best value for simple power distribution in server cabinets and racks.





Front View

Rear View

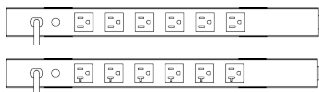
Part Numbers	Receptacles Type / QTY	Breaker Amperage / QTY	Plug / Inlet Type	Monitoring	Dimensions W x H x D (")
PDU-615R-PC Amps: 15 (Single Phase) Volts: 120 kW: 1.4		15 / 1		N/A	1U 19" Horizontal 19.00 x 1.75 x 2.57
		On-Off Switch			
		Yes			
PDU-620R-PC Amps: 20 (Single Phase) Volts: 120 kW: 1.4		20 / 1		N/A	1U 19" Horizontal 19.00 x 1.75 x 2.57
		On-Off Switch			
		Yes			

Includes mounting hardware.



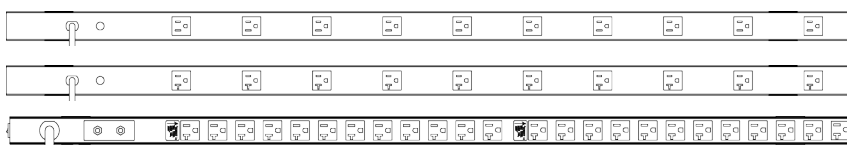
Part Numbers	Receptacles Type / QTY	Breaker Amperage / QTY	Plug / Inlet Type	Monitoring	Dimensions W x H x D (")
WM-180615-DW Amps: 15 (Single Phase) Volts: 120 kW: 1.4		N/A	6" Direct Wire Leads Threaded for 3/4" conduit fitting.	N/A	0U 18" Vertical 1.43 x 18.00 x 1.13
		On-Off Switch			
		No			
WM-481015-DW Amps: 15 (Single Phase) Volts: 120 kW: 1.4		N/A	6" Direct Wire Leads Threaded for 3/4" conduit fitting.	N/A	0U 48" Vertical 1.43 x 48.00 x 1.13
		On-Off Switch			
		No			

Includes Spring Clips and mounting hardware.



Part Numbers	Receptacles Type / QTY	Breaker Amperage / QTY	Plug / Inlet Type	Monitoring	Dimensions W x H x D (")
WM-180615-PC Amps: 15 (Single Phase) Volts: 120 kW: 1.4		15 / 1	5-15P Straight-Blade 15' Cord	N/A	0U 18" Vertical 1.62 x 18.00 x 1.21
		On-Off Switch			
		No			
WM-180620-PC Amps: 20 (Single Phase) Volts: 120 kW: 1.4		20 / 1	5-20P Straight Blade 15' Cord	N/A	0U 18" Vertical 1.62 x 18.00 x 1.21
		On-Off Switch			
		No			

Includes Spring Clips and mounting hardware.

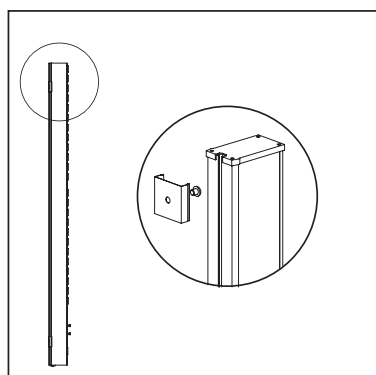


Part Numbers	Receptacles Type / QTY	Breaker Amperage / QTY	Plug / Inlet Type	Monitoring	Dimensions W x H x D (")
WM-481015-PC Amps: 15 (Single Phase) Volts: 120 kW: 1.4		15 / 1	5-15P Straight-Blade 15' Cord	N/A	0U 48" Vertical 1.62 x 48.00 x 1.21
		On-Off Switch			
		No			
WM-481020-PC Amps: 20 (Single Phase) Volts: 120 kW: 1.4		20 / 1	5-20P Straight Blade 15' Cord	N/A	0U 48" Vertical 1.62 x 48.00 x 1.21
		On-Off Switch			
		No			
WM-482430-PC Amps: 30 (Single Phase) Volts: 120 kW: 1.4		15 / 2	L5-30P Locking 12' Cord	N/A	0U 48" Vertical 1.50 x 48.00 x 2.87
		On-Off Switch			
		No			

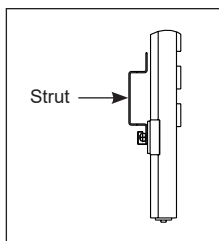
Includes Spring Clips and mounting hardware.

Mounting

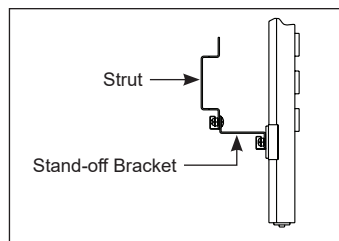
Spring clips are included with each 18" and 48" vertical unit. Attach the spring clips to the strut, making sure the top clip is no more than one inch from the top of the unit. Once the spring clips are secure, snap the PDU into position. Stand off brackets are included.



Spring Clip Detail



Standard Mounting Detail



Mounting Detail Using Stand-off Bracket

Grounding

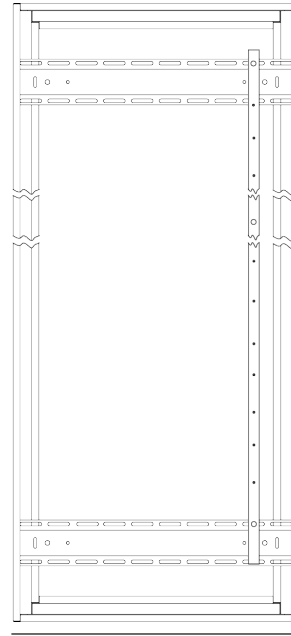
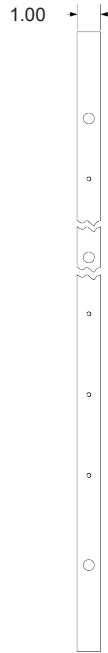
Bus Bars

Insulated copper bus bars which attach to the top flange of the upper and lower frame struts. The bus bar is supplied with #10-32 tapped holes on 3.5" centers. **Only full height bus bars will mount to frames. Short height bus bars will not align with frame mounting struts.**

Part Numbers

	Use in Frames with this Usable Height	
For use with Vertical Frames		
BB-21*	21.000	12U
BB-28*	28.000	16U
BB-35	35.000	20U
BB-40	40.250	23U
BB-43	43.750	25U
BB-52	52.500	30U
BB-61	61.250	35U
BB-70	70.000	40U
BB-78	78.750	45U
For use with Slope Front Frames		
BB-24 (front)	24.50	14U
BB-28 (front)	28.000	16U
BB-38 (rear)	38.500	22U
BB-42 (rear)	42.000	24U
BB-49 (rear)	49.000	28U

*For use with Frames with Work Surface Provisions



Mounting Detail

Note

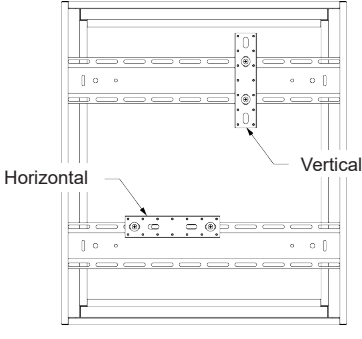
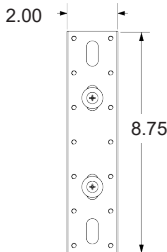
When equipment support items such as shelving or drawers are being mounted in the same frame as a bus bar, the items must be ordered short depth.

Ground Bus Plate

Ground bus plates provide equipment grounding capabilities that are unique when compared to the full length bus bars. The copper ground bus plate provides fourteen (14) #10-32 tapped grounding points and mounts directly to the frame strut in a vertical or horizontal position. The designed-in mounting flexibility allows for attachment of the ground bus plate in locations that are much less likely to interfere with full depth internal frame equipment and accessories such as mounting brackets, equipment shelves, chassis guides and others.

Part Number

GBP-0208



Mounting Detail

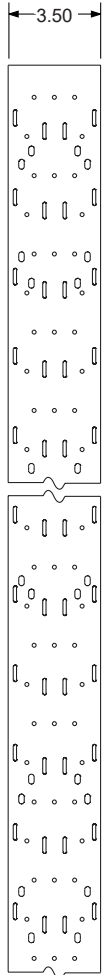
Vertical Cable Managers

3.5" Wide Vertical Lacing Panel

Material: Aluminum

Accepts accessory style B or C.

Slots allow Velcro or other cable straps to neatly organize cable bundles.



Part Numbers

Use in frames with this usable height

For use with Instrument Frames

WMP-10	10.500	6U
WMP-17	17.500	10U
WMP-21	21.000	12U

For use with Vertical Frames

WMP-21*	21.000	12U
WMP-28*	28.000	16U
WMP-35	35.000	20U
WMP-40	40.250	23U
WMP-43	43.750	25U
WMP-52	52.500	30U
WMP-61	61.250	35U
WMP-70	70.000	40U
WMP-78	78.750	45U

For use with Slope Front Frames

WMP-24	24.500	14U
WMP-28	28.000	16U
WMP-38	38.500	22U
WMP-42	42.000	24U
WMP-49	49.000	28U

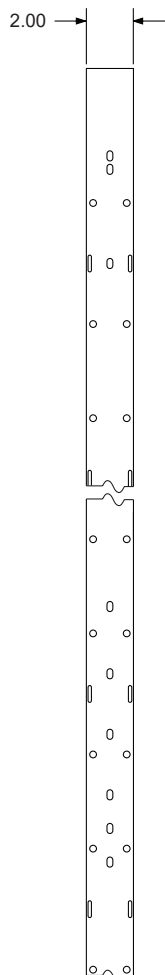
*For use with Frames with Work Surface Provisions

2" Wide Vertical Lacing Panel

Material: Steel

Accepts accessory style A or C.

Slots allow Velcro or other cable straps to neatly organize cable bundles.



Part Numbers

Use in frames with this usable height

For use with Vertical Frames

CMV-52-LP1	52.500	30U
CMV-61-LP1	61.250	35U
CMV-70-LP1	70.000	40U
CMV-78-LP1	78.750	45U

Vertical Cable Organizer with Finger Duct

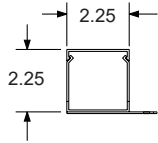
Finger duct size: 2.25 x 2.25

Accepts accessory style C.

Smooth edges protect wires/cables from abrasion.

V shaped slot lead in speeds installation.

Includes snap-on cover.

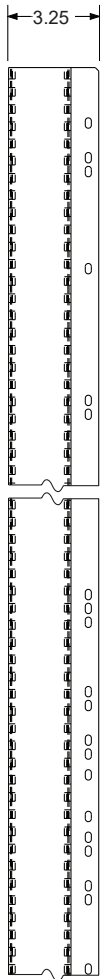


Part Numbers

Use in frames with this usable height

For use with Vertical Frames

CMV-52-FD1	52.500	30U
CMV-61-FD1	61.250	35U
CMV-70-FD1	70.000	40U
CMV-78-FD1	78.750	45U



Vertical Cable Organizer with Dual Finger Duct

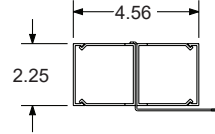
Finger duct size: 2.25 x 2.25

Accepts accessory style C.

Smooth edges protect wires/cables from abrasion.

V shaped slot lead in speeds installation.

Includes snap-on covers.

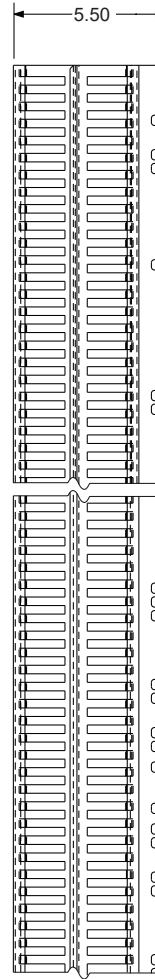


Part Numbers

Use in frames with this usable height

For use with Vertical Frames

CMV-52-FD2	52.500	30U
CMV-61-FD2	61.250	35U
CMV-70-FD2	70.000	40U
CMV-78-FD2	78.750	45U



Cable Management Accessories

Cable Management Accessories

The following accessories are for use in conjunction with the overhead, vertical and horizontal cable management products.

Style A: Snaps into .250 diameter hole

Nylon Cable Saddle

Part Number

CMA-002-A

QTY: 25



Nylon Arrowhead Cable Tie

Part Number

CMA-003-A

QTY: 100



Nylon Arrowhead Cable Tie Mount

Part Number

CMA-004-A

QTY: 100



Bevel Entry Clip

Part Number

CMA-007-A

QTY: 25



Style B: Screws in with self tapping screws

Cable Ring

Part Number

DCR-2375

QTY: 1

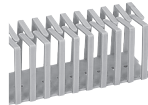


Finger Duct

Part Number

DFD-22

QTY: 1



Velcro Cable Ties w/ Bracket

Part Number

DVS-11

QTY: 10



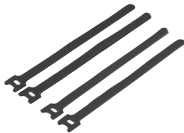
Style C: Universal

Velcro Cable Ties

Part Number

CMA-001-C

QTY: 20



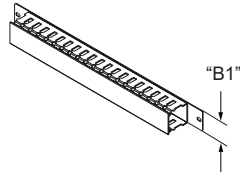
Cable Organizer with Finger Duct

A simple and convenient method of organizing and routing cabling. Includes hinged cover panel. Accepts accessory style C.

Part Numbers

19" EIA Width	"B1" # of Rack Units Used	
CMH-1U-19-FD1	1.750	1U
CMH-2U-19-FD1	3.500	2U

24" EIA Width	"B" # of Rack Units Used	
CMH-1U-24-FD1	1.750	1U
CMH-2U-24-FD1	3.500	2U

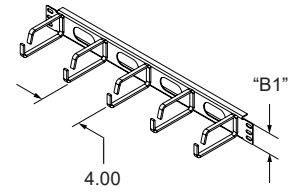


Cable Organizer with 5 D Rings

A simple and convenient method of organizing cabling. Accepts accessory style C.

Part Number

19" EIA Width	"B1" # of Rack Units Used	
CMH-1U-19	1.750	1U



Lacing Bar

Support cables as they exit the back of equipment preventing stress to expensive ports. Accepts accessory style C.

Part Number

19" EIA Width	"B" # of Rack Units Used	
CMH-1U-19-LB1	1.750	1U



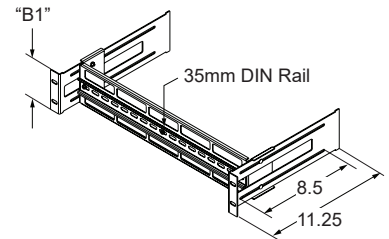
DIN Rail

Rail is 35mm DIN type 3. 8.5" of front-to-rear adjustment. Accepts accessory style C.

Part Numbers

19" EIA Width	"B1" # of Rack Units Used	
CMH-2U-19-DIN	3.500	2U

24" EIA Width	"B1" # of Rack Units Used	
CMH-2U-24-DIN	3.500	2U



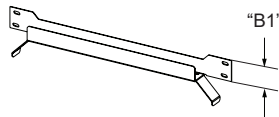
Cable Trough

A simple and convenient method of routing cabling. Accepts accessory style A or C.

Part Numbers

19" EIA Width	"B1" # of Rack Units Used	
CMH-1U-19-T	1.750	1U

24" EIA Width	"B1" # of Rack Units Used	
CMH-1U-24-T	1.750	1U

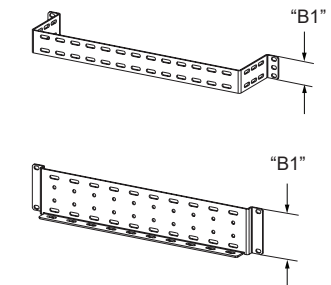


Lacing Panels

A simple and convenient method of organizing cabling. Accepts accessory style A or C.

Part Numbers

19" EIA Width	"B1" # of Rack Units Used	
CMH-1U-19-LP1	1.750	1U
CMH-2U-19-LP2	3.500	2U



Lighting

Racklights

Racklights provide illumination for an entire rack of electronic equipment and enable the user to adjust illumination for patching or general rack service. Available in both 5-Watt halogen or low intensity LED, the racklights only occupy 1U of rack space. All racklights include 12-Volt power supply and mounting hardware.



Part Number

ELIGHT RL-10-S

1U rack mount panel with one 12" high intensity (5-Watt halogen) gooseneck permanently attached. The gooseneck is recessed into the panel for transport and is controlled by a dimmer switch. Includes 12-Volt power supply with 6ft. cord and 5-Watt halogen bulb.



Part Number

ELIGHT RL-10-D

1U rack mount panel with two 12" high intensity (5-Watt halogen) gooseneck permanently attached. The goosenecks are recessed into the panel for transport and are controlled by dimmer switches. Includes 12-Volt power supply with 6ft. cord and 5-Watt halogen bulb.

Part Number

ELIGHT RL-10-S-LED

1U rack mount panel with one 12" low intensity LED gooseneck permanently attached. The gooseneck is recessed into the panel for transport. A three-way rotary switch enables the user to toggle between white light and red light output. Includes 12-Volt power supply with 6ft. cord.

Part Number

ELIGHT RL-10-D-LED

1U rack mount panel with two 12" low intensity LED gooseneck permanently attached. The goosenecks are recessed into the panel for transport. A three-way rotary switch enables the user to toggle between white light and red light output. Includes 12-Volt power supply with 6ft. cord.

Product Selector

	Part #	Bulb Type	Bulb Life / *MTBF	Gooseneck
Lampset	ELIGHT L-3/12	Dimmable 5-Watt Halogen	2,000 Hours	12" Permanent
	ELIGHT L-3/18	Dimmable 5-Watt Halogen	2,000 Hours	18" Permanent
	ELIGHT L-12-LED	Switchable Red/White LED	10,000 Hours	12" Permanent
	ELIGHT L-18-LED	Switchable Red/White LED	10,000 Hours	18" Permanent
Racklight	ELIGHT RL-10-S	Dimmable 5-Watt Halogen	2,000 Hours	12" Permanent
	ELIGHT RL-10-D	Dimmable 5-Watt Halogen	2,000 Hours	12" Permanent
	ELIGHT RL-10-S-LED	Switchable Red/White LED	10,000 Hours	12" Permanent
	ELIGHT RL-10-D-LED	Switchable Red/White LED	10,000 Hours	12" Permanent
	ELIGHT 12X-HI	Dimmable 5-Watt Halogen	2,000 Hours	12" Removable
	ELIGHT 18X-HI	Dimmable 5-Watt Halogen	2,000 Hours	18" Removable
	ELIGHT 12X-LED	Switchable Red/White LED	10,000 Hours	12" Removable
	ELIGHT 18X-LED	Switchable Red/White LED	10,000 Hours	18" Removable

*Mean Time Before Failure

Build Your Own Racklight



Part Number

ELIGHT RLX

1U rack mount panel with two 3-pin XLR connectors for use with 3-pin goosenecks. Includes 12-Volt power supply with 6ft. cord. Gooseneck(s) sold separately.



Part Number

ELIGHT 12X-HI

12" high intensity (5-Watt halogen) gooseneck for use with any standard 3-pin XLR connector.

Part Number

ELIGHT 18X-HI

18" high intensity (5-Watt halogen) gooseneck for use with any standard 3-pin XLR connector.

Part Number

ELIGHT 12X-LED

12" low intensity LED gooseneck with 3-pin XLR connector. Light output is white.

Part Number

ELIGHT 18X-LED

18" low intensity LED gooseneck with 3-pin XLR connector. Light output is white.

Lampsets

Lampsets shed light exactly where you need it. Lampsets are available with 12" or 18" gooseneck lengths and include bulb, chassis and fully adjustable dimmer. Each lampset includes a 12-Volt power supply, a snap mount set^(SM) for easy removable mounting and screws for permanent mounting.



Part Number

ELIGHT L-3/12

High intensity (5-Watt halogen) lampset with a 12" gooseneck permanently attached. The gooseneck is controlled by a dimmer switch. Includes 12-Volt power supply with 6ft. cord and 5-Watt halogen bulb.

Part Number

ELIGHT L-3/18

High intensity (5-Watt halogen) lampset with an 18" gooseneck permanently attached. The gooseneck is controlled by a dimmer switch. Includes 12-Volt power supply with 6ft. cord and 5-Watt halogen bulb.

Part Number

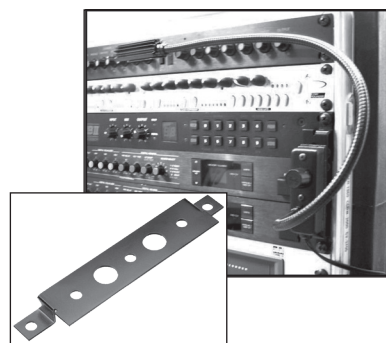
ELIGHT L-12-LED

Low intensity LED lampset with a 12" gooseneck permanently attached. A three-way rotary switch enables user to toggle between white light and red light output. Includes 12-Volt power supply with 6ft. cord.

Part Number

ELIGHT L-18-LED

Low-intensity LED lampset with an 18" gooseneck permanently attached. A three-way rotary switch enables the user to toggle between white light and red light output. Includes 12-Volt power supply with 6ft. cord.



Part Number

ELIGHT RAKIT

This bracket allows you to mount a lampset to your rack without using any rack space. The bracket spans a 3U rack space and will not interfere with rack mounted equipment controls.



Part Number

ELIGHT CWB

Turn your lampset into a desk light with a Cast Weighted Base. This design features four rubber feet for maximum stability.

General Accessories

Use these accessories with either Racklights or Lampsets



Part Number

ELIGHT WYE

This splitter cable connects multiple goosenecks to a single power supply.

Use WYE with halogen lights.



Part Number

ELIGHT PYE

This splitter cable connects multiple goosenecks to a single power supply.

Use PYE with LED lights.



Part Number

ELIGHT Q5

5-Watt halogen replacement bulb.

Light Duty Shelf

Light Duty Shelf

Light Duty shelves provide an easy method of storing non-rack mount style equipment in a frame. The shelf attaches to the front flange of the mounting rails and require no rear attachment point. An adjustable backstop is provided for alignment.

- Load capacity: 50-lbs. evenly distributed.

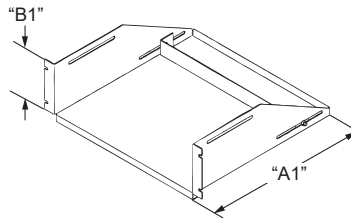
Note

The bottom flange of this shelf intrudes .750" on the rack space below. Items that take up internal space cannot be mounted directly below this shelf.

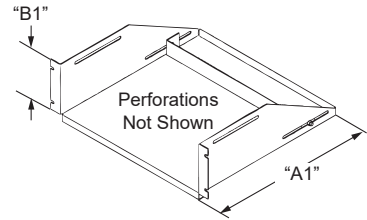
Part Numbers

19" EIA Width		"A1" Shelf Depth	"B1" # of Rack Units Used	
Solid	Perforated			
SH-1619	SH-1619-PA	16.500	5.250	3U

24" EIA Width		"A1" Shelf Depth	"B1" # of Rack Units Used	
Solid	Perforated			
SH-1624	SH-1624-PA	16.500	5.250	3U



Solid
[14-gauge steel]



Perforated
[14-gauge steel]

Enclosed Shelf

Using this sturdy enclosed shelf, non-rack mounted equipment can be safely positioned within the enclosure. The shelf attaches to the front flange of the mounting rails and require no rear attachment point. An adjustable backstop is provided for alignment.

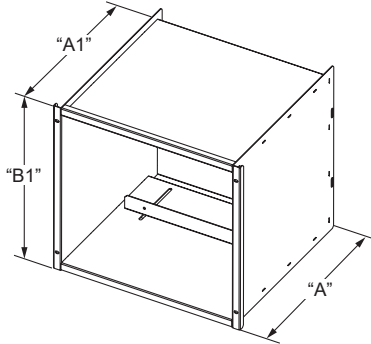
- Load capacity: 50-lbs. evenly distributed.

Part Numbers

19" EIA Width			
Solid	"A1" Shelf Depth	"B1" # of Rack Units Used	
ME-1719	17.750	17.500	10U
ME-2419	17.750	24.500	14U

24" EIA Width			
Solid	"A1" Shelf Depth	"B1" # of Rack Units Used	
ME-1724	17.750	17.500	10U
ME-2424	17.750	24.500	14U

30" EIA Width			
Solid	"A1" Shelf Depth	"B1" # of Rack Units Used	
ME-1730	17.750	17.500	10U
ME-2430	17.750	24.500	14U



Enclosed Shelf
[16-gauge steel]

Book Shelf

Book Shelf

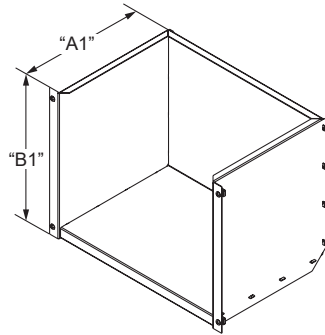
Available in two heights, book shelves are perfect for storing binders, service manuals, and other non-rack mount items. The shelf attaches to the front flange of the mounting rails and require no rear attachment point.

Load capacity: 50-lbs. evenly distributed.

Part Numbers

19" EIA Width			
Solid	"A1" Shelf Depth	"B1" # of Rack Units Used	
FP2-BS 1019	12.700	10.500	6U
FP2-BS 1419	12.700	14.000	8U

24" EIA Width			
Solid	"A1" Shelf Depth	"B1" # of Rack Units Used	
FP2-BS 1024	12.700	10.500	6U
FP2-BS 1424	12.700	14.500	8U



Book Shelf
[16-gauge steel]

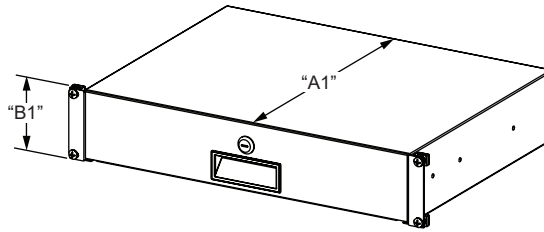
Light Duty Locking Drawer

The light duty locking drawer is perfect for applications where securely storing small items is required. The drawer attaches to the front flange of the mounting rails and require no rear attachment point. It is finished in a black powder coat paint. This drawer is keyed differently than doors/side panels.

- Load capacity: 20-lbs. evenly distributed.
- Drawer extension: 11.77" from front of the enclosure.

Part Numbers

19" EIA Width	"A1" Drawer Depth	"B1" # of Rack Units Used	
LKD-0319	13.320	3.500	2U



Light Duty Locking Drawer
[16-gauge steel]

1U Sliding Shelf

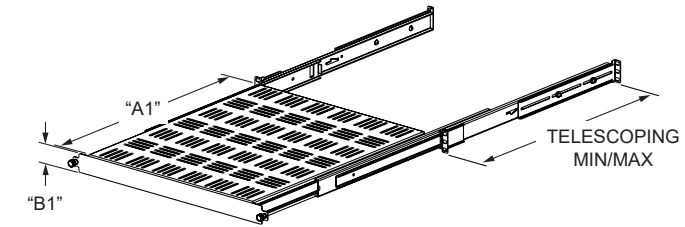
1U Sliding Shelf

Sliding shelves make it possible to slide equipment in and out of the enclosure for fast, easy accessibility. Heavy-duty ball bearing slides allow for ease of movement and feature a lock open option. The shelf can be flipped over and used as a tray if desired and comes with captive fasteners to lock the tray in the closed position. The vents aid in air flow management and are sized for #10 hardware. The 1U sliding shelf comes in a black power coat.

- SHS-1U-20 load capacity: 112-lbs. evenly distributed.
- SHS-1U-28 load capacity: 90-lbs. evenly distributed.

Part Numbers

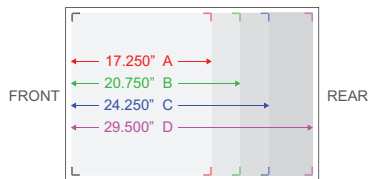
19" EIA Width				
Vented	"A1" Shelf Depth	"B1" # of Rack Units Used		Telescoping Min/Max Depth
SHS-1U-20	20.000	1.750	1U	22.000" - 26.000"
SHS-1U-28	28.000	1.750	1U	26.000" - 34.000"



1U Sliding Shelf
[14-gauge steel]

Rail to Rail Settings (mounts to rails only)

This item requires both a front and rear attach point. Since the rear rails inside of a frame can be positioned in multiple locations, or multiple sets of rails may be used, be to double check that the telescoping Max/Min depth is within the constraints of your rail settings.



1U Fixed Adjustable Depth Shelf

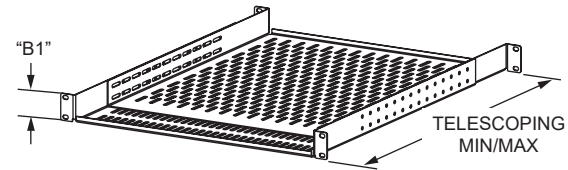
1U Fixed Adjustable Depth Shelf

Why lock your rail settings, as determined by the depth of the shelf? This shelf has telescopic rear mount for increased versatility, while providing the stability of 4-point mounting. The side lip prevents item or equipment from sliding off the shelf. Vents aid in airflow management. The shelf comes in black powder coat finish.

- Load capacity: 250-lbs. evenly distributed.

Part Numbers

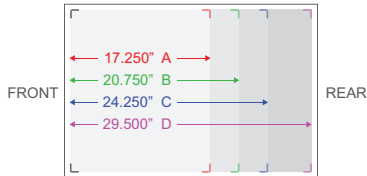
19" EIA Width		
Vented	"B1" # of Rack Units Used	Telescoping Min/Max Depth
SHF-1U-22-36	1.750 1U	22.000" - 36.000"



1U Fixed Shelf
[14-gauge steel]

Rail to Rail Settings (mounts to rails only)

This item requires both a front and rear attach point. Since the rear rails inside of a frame can be positioned in multiple locations, or multiple sets of rails may be used, be to double check that the telescoping Max/Min depth is within the constraints of your rail settings.



Retractable Keyboard Tray

Retractable Keyboard Tray

Retractable keyboard trays provide the flexibility to incorporate a full size keyboard within a 19" EIA width frame. The keyboard tray is housed within the enclosure in a "front-to-rear" orientation. To access the keyboard, simply pull the tray outward until it locks into the open position. The keyboard tray can then be rotated 90° and affixed into position for operator use. A low profile mouse pad is incorporated onto the front of the tray across its entire width. In order to stow the keyboard back into the enclosure, rotate the tray 90°, unlatch the locking slide, and retract the tray back into the frame.

Part Number

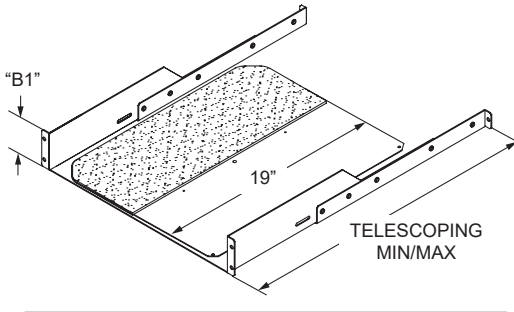
19" EIA Width			
	"B1" # of Rack Units Used	2U	Telescoping Min/Max Depth
RKT-0319-S	3.500	2U	17.000" - 30.375"

Optional Hinged Access Panel

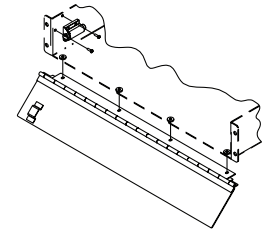
An optional hinged access panel is available for those users that wish to close off the 2U opening when the keyboard is stowed.

Part Number

KTAP-0319



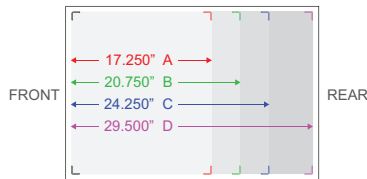
Keyboard Tray



Access Panel
[mounts directly to tray]

Rail to Rail Settings (mounts to rails only)

This item requires both a front and rear attach point. Since the rear rails inside of a frame can be positioned in multiple locations, or multiple sets of rails may be used, be to double check that the telescoping Max/Min depth is within the constraints of your rail settings.



Heavy Duty Chassis Guides

Heavy duty chassis guides (sold as pairs) are used to support heavy equipment by means of angular steel support members, leaving the bottom of the mounted equipment exposed for cooling or servicing. Chassis guides are mounted flange side down, unless otherwise specified.

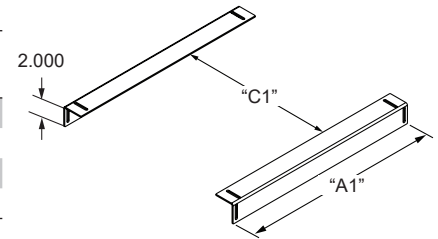
- Load capacity: 200-lbs. evenly distributed.

Note

Due to the thickness of the material, chassis guides interfere .125" on both the rack space above and below where this item is mounted. Items that take up internal space cannot be mounted directly above or below chassis guides.

Part Numbers

	"A1" Chassis Guide Depth	# of Rack Units Used		Fits w/ this Rail to Rail Setting	"C1"	"C1"	"C1"
					19" EIA Width	24" EIA Width	30" EIA Width
CG-18	16.562	1.750	1U	A 17.250"	15.406	20.406	26.406
CG-22	20.062	1.750	1U	B 20.750"	15.406	20.406	26.406
CG-25	23.562	1.750	1U	C 24.250"	15.406	20.406	26.406
CG-30	28.812	1.750	1U	D 29.500"	15.406	20.406	26.406



"C1" Distance Between Chassis Guides

Chassis Guide
[11-gauge steel]

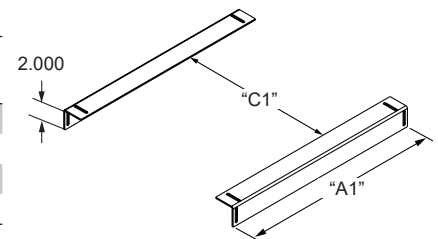
Light Duty Chassis Guides

Light duty chassis guides (sold as pairs) are used to support heavy equipment by means of angular steel support members, leaving the bottom of the mounted equipment exposed for cooling or servicing. Chassis guides are mounted flange side down, unless otherwise specified.

- Load capacity: 75-lbs. evenly distributed.

Part Numbers

	"A1" Chassis Guide Depth	# of Rack Units Used		Fits w/ this Rail to Rail Setting	"C1"	"C1"	"C1"
					19" EIA Width	24" EIA Width	30" EIA Width
CG-18-LD	16.562	1.750	1U	A 17.250"	15.406	20.406	26.406
CG-22-LD	20.062	1.750	1U	B 20.750"	15.406	20.406	26.406
CG-25-LD	23.562	1.750	1U	C 24.250"	15.406	20.406	26.406
CG-30-LD	28.812	1.750	1U	D 29.500"	15.406	20.406	26.406

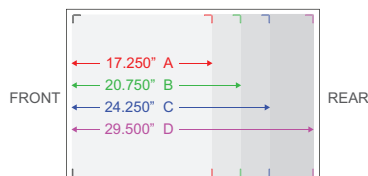


"C1" Distance Between Chassis Guides

Chassis Guide
[16-gauge steel]

Rail to Rail Settings (mounts to rails or straps - not square hole rails)

This item requires both a front and rear attach point. Since the rear rails inside of a frame can be positioned in multiple locations, or multiple sets of rails may be used, be sure to select the proper part number based on the rail settings. The following image indicates standard rail locations that will allow this item to be properly positioned.



Heavy Duty Shelves

Heavy Duty Shelves

Heavy duty shelves are designed to fit anywhere within the usable rack space of an enclosure to house non-rack mounted equipment.

- Solid style load capacity: 350-lbs. evenly distributed.
- Perforated style load capacity: 200-lbs. evenly distributed.

Note

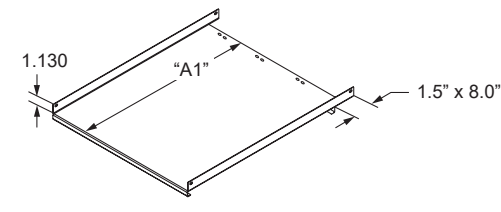
The bottom flange of this shelf intrudes .613" on the rack space below. Items that take up internal space cannot be mounted directly below this shelf.

Part Numbers

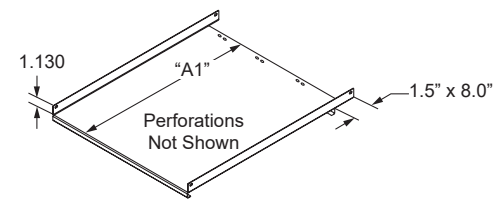
19" EIA Width		"A1" Shelf Depth	# of Rack Units Used	Fits w/ this Rail to Rail Setting
Solid	Perforated			
SES-1819	SES-1819-PA	14.875	1.750	1U A 17.250"
SES-2219	SES-2219-PA	18.375	1.750	1U B 20.750"
SES-2519	SES-2519-PA	21.875	1.750	1U C 24.250"
SES-3019	SES-3019-PA	27.125	1.750	1U D 29.500"

24" EIA Width		"A1" Shelf Depth	# of Rack Units Used	Fits w/ this Rail to Rail Setting
Solid	Perforated			
SES-1824	SES-1824-PA	14.875	1.750	1U A 17.250"
SES-2224	SES-2224-PA	18.375	1.750	1U B 20.750"
SES-2524	SES-2524-PA	21.875	1.750	1U C 24.250"
SES-3024	SES-3024-PA	27.125	1.750	1U D 29.500"

30" EIA Width		"A1" Shelf Depth	# of Rack Units Used	Fits w/ this Rail to Rail Setting
Solid	Perforated			
SES-1830	SES-1830-PA	14.875	1.750	1U A 17.250"
SES-2230	SES-2230-PA	18.375	1.750	1U B 20.750"
SES-2530	SES-2530-PA	21.875	1.750	1U C 24.250"
SES-3030	SES-3030-PA	27.125	1.750	1U D 29.500"



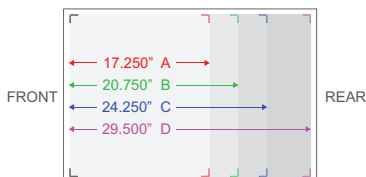
Solid
[14-gauge steel]



Perforated
[14-gauge steel]

Rail to Rail Settings (mounts to rails or straps - not square hole rails)

This item requires both a front and rear attach point. Since the rear rails inside of a frame can be positioned in multiple locations, or multiple sets of rails may be used, be sure to select the proper part number based on the rail settings. The following image indicates standard rail locations that will allow this item to be properly positioned.



2U Sliding Shelves

Sliding, or Pull-out shelves make it possible to slide equipment in and out of the enclosure for fast, easy accessibility. Heavy-duty ball bearing slides allow for ease of movement and have a quick disconnect feature. Upon request, the shelf can be flipped over and used as a tray if desired (1.625" thick)

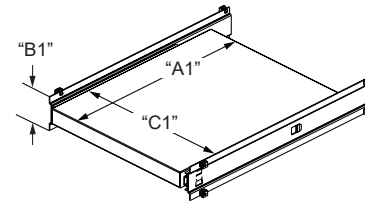
- Load capacity: 90-lbs. evenly distributed.
- Shelf extension: 17" from front of the enclosure.

Part Numbers

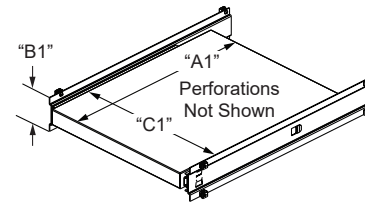
19" EIA Width		"A1" Shelf Depth	"C1" Shelf Width	"B1" # of Rack Units Used		Fits w/ this Rail to Rail Setting
Solid	Perforated					
SCSQ-1819	contact factory	16.750	16.320	3.500	2U	A 17.250"
SCSQ-2219	SCSQ-2219-PA	20.250	16.320	3.500	2U	B 20.750"
SCSQ-2519	SCSQ-2519-PA	20.250	16.320	3.500	2U	C 24.250"
SCSQ-3019	SCSQ-3019-PA	20.250	16.320	3.500	2U	D 29.500"

24" EIA Width		"A1" Shelf Depth	"C1" Shelf Width	"B1" # of Rack Units Used		Fits w/ this Rail to Rail Setting
Solid	Perforated					
SCSQ-1824	contact factory	16.750	21.320	3.500	2U	A 17.250"
SCSQ-2224	SCSQ-2224-PA	20.250	21.320	3.500	2U	B 20.750"
SCSQ-2524	SCSQ-2524-PA	20.250	21.320	3.500	2U	C 24.250"
SCSQ-3024	SCSQ-3024-PA	20.250	21.320	3.500	2U	D 29.500"

30" EIA Width		"A1" Shelf Depth	"C1" Shelf Width	"B1" # of Rack Units Used		Fits w/ this Rail to Rail Setting
Solid	Perforated					
SCSQ-1830	contact factory	16.750	27.320	3.500	2U	A 17.250"
SCSQ-2230	contact factory	20.250	27.320	3.500	2U	B 20.750"
SCSQ-2530	contact factory	20.250	27.320	3.500	2U	C 24.250"
SCSQ-3030	contact factory	20.250	27.320	3.500	2U	D 29.500"



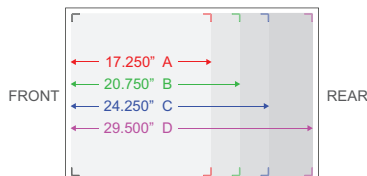
Solid
[18-gauge steel]



Perforated
[16-gauge steel]

Rail to Rail Settings (mounts to rails or straps - not square hole rails)

This item requires both a front and rear attach point. Since the rear rails inside of a frame can be positioned in multiple locations, or multiple sets of rails may be used, be sure to select the proper part number based on the rail settings. The following image indicates standard rail locations that will allow this item to be properly positioned.



Drawers

Drawers

Drawers provide for efficient storage and easy access of system support materials. Heavy-duty ball bearing slides allow for ease of movement.

- Load capacity: 90-lbs. evenly distributed.
- Drawer extension: 17" from front of the enclosure.

Part Numbers

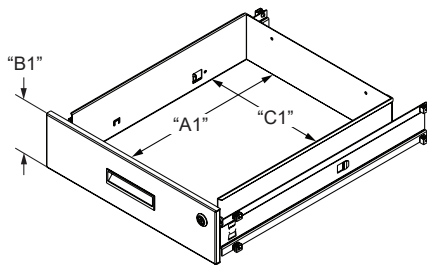
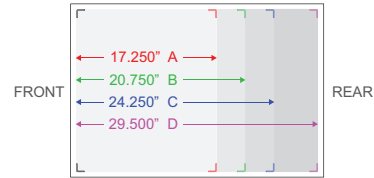
19" EIA Width		"A1" Drawer Depth	"C1" Drawer Width	"B1" # of Rack Units Used	Fits w/ this Rail to Rail Setting	
Non-Locking	Locking					
SDRQ-180319	SDRQ-180319-LK	16.973	16.224	3.500	2U	A 17.250"
SDRQ-220319	SDRQ-220319-LK	20.473	16.224	3.500	2U	B 20.750"
SDRQ-250319	SDRQ-250319-LK	20.473	16.224	3.500	2U	C 24.250"
SDRQ-300319	SDRQ-300319-LK	20.473	16.224	3.500	2U	D 29.500"
SDRQ-180519	SDRQ-180519-LK	16.973	16.224	5.250	3U	A 17.250"
SDRQ-220519	SDRQ-220519-LK	20.473	16.224	5.250	3U	B 20.750"
SDRQ-250519	SDRQ-250519-LK	20.473	16.224	5.250	3U	C 24.250"
SDRQ-300519	SDRQ-300519-LK	20.473	16.224	5.250	3U	D 29.500"
SDRQ-180719	SDRQ-180719-LK	16.973	16.224	7.000	4U	A 17.250"
SDRQ-220719	SDRQ-220719-LK	20.473	16.224	7.000	4U	B 20.750"
SDRQ-250719	SDRQ-250719-LK	20.473	16.224	7.000	4U	C 24.250"
SDRQ-300719	SDRQ-300719-LK	20.473	16.224	7.000	4U	D 29.500"
SDRQ-180819	SDRQ-180819-LK	16.973	16.224	8.750	5U	A 17.250"
SDRQ-220819	SDRQ-220819-LK	20.473	16.224	8.750	5U	B 20.750"
SDRQ-250819	SDRQ-250819-LK	20.473	16.224	8.750	5U	C 24.250"
SDRQ-300819	SDRQ-300819-LK	20.473	16.224	8.750	5U	D 29.500"
SDRQ-181019	SDRQ-181019-LK	16.973	16.224	10.500	6U	A 17.250"
SDRQ-221019	SDRQ-221019-LK	20.473	16.224	10.500	6U	B 20.750"
SDRQ-251019	SDRQ-251019-LK	20.473	16.224	10.500	6U	C 24.250"
SDRQ-301019	SDRQ-301019-LK	20.473	16.224	10.500	6U	D 29.500"
SDRQ-181419	SDRQ-181419-LK	16.973	16.224	14.000	8U	A 17.250"
SDRQ-221419	SDRQ-221419-LK	20.473	16.224	14.000	8U	B 20.750"
SDRQ-251419	SDRQ-251419-LK	20.473	16.224	14.000	8U	C 24.250"
SDRQ-301419	SDRQ-301419-LK	20.473	16.224	14.000	8U	D 29.500"

See next page for 24" & 30" EIA width part numbers.

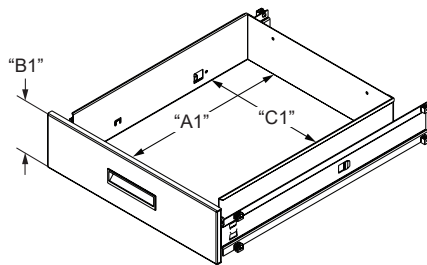
Rail to Rail Settings

(mounts to rails or straps - not square hole rails)

This item requires both a front and rear attach point. Since the rear rails inside of a frame can be positioned in multiple locations, or multiple sets of rails may be used, be sure to select the proper part number based on the rail settings. The following image indicates standard rail locations that will allow this item to be properly positioned.



Locking Drawer



Non-Locking Drawer

Drawer Part Numbers Continued

24" EIA Width		"A1" Drawer Depth	"C1" Drawer Width	"B1" # of Rack Units Used		Fits w/ this Rail to Rail Setting
Non-Locking	Locking					
SDRQ-180324	SDRQ-180324-LK	16.973	21.224	3.500	2U	A 17.250"
SDRQ-220324	SDRQ-220324-LK	20.473	21.224	3.500	2U	B 20.750"
SDRQ-250324	SDRQ-250324-LK	20.473	21.224	3.500	2U	C 24.250"
SDRQ-300324	SDRQ-300324-LK	20.473	21.224	3.500	2U	D 29.500"
SDRQ-180524	SDRQ-180524-LK	16.973	21.224	5.250	3U	A 17.250"
SDRQ-220524	SDRQ-220524-LK	20.473	21.224	5.250	3U	B 20.750"
SDRQ-250524	SDRQ-250524-LK	20.473	21.224	5.250	3U	C 24.250"
SDRQ-300524	SDRQ-300524-LK	20.473	21.224	5.250	3U	D 29.500"
SDRQ-180724	SDRQ-180724-LK	16.973	21.224	7.000	4U	A 17.250"
SDRQ-220724	SDRQ-220724-LK	20.473	21.224	7.000	4U	B 20.750"
SDRQ-250724	SDRQ-250724-LK	20.473	21.224	7.000	4U	C 24.250"
SDRQ-300724	SDRQ-300724-LK	20.473	21.224	7.000	4U	D 29.500"
SDRQ-180824	SDRQ-180824-LK	16.973	21.224	8.750	5U	A 17.250"
SDRQ-220824	SDRQ-220824-LK	20.473	21.224	8.750	5U	B 20.750"
SDRQ-250824	SDRQ-250824-LK	20.473	21.224	8.750	5U	C 24.250"
SDRQ-300824	SDRQ-300824-LK	20.473	21.224	8.750	5U	D 29.500"
SDRQ-181024	SDRQ-181024-LK	16.973	21.224	10.500	6U	A 17.250"
SDRQ-221024	SDRQ-221024-LK	20.473	21.224	10.500	6U	B 20.750"
SDRQ-251024	SDRQ-251024-LK	20.473	21.224	10.500	6U	C 24.250"
SDRQ-301024	SDRQ-301024-LK	20.473	21.224	10.500	6U	D 29.500"
SDRQ-181424	SDRQ-181424-LK	16.973	21.224	14.000	8U	A 17.250"
SDRQ-221424	SDRQ-221424-LK	20.473	21.224	14.000	8U	B 20.750"
SDRQ-251424	SDRQ-251424-LK	20.473	21.224	14.000	8U	C 24.250"
SDRQ-301424	SDRQ-301424-LK	20.473	21.224	14.000	8U	D 29.500"

30" EIA Width		"A1" Drawer Depth	"C1" Drawer Width	"B1" # of Rack Units Used		Fits w/ this Rail to Rail Setting
Non-Locking	Locking					
SDRQ-180330	SDRQ-180330-LK	16.973	27.224	3.500	2U	A 17.250"
SDRQ-220330	SDRQ-220330-LK	20.473	27.224	3.500	2U	B 20.750"
SDRQ-250330	SDRQ-250330-LK	20.473	27.224	3.500	2U	C 24.250"
SDRQ-300330	SDRQ-300330-LK	20.473	27.224	3.500	2U	D 29.500"
SDRQ-180530	SDRQ-180530-LK	16.973	27.224	5.250	3U	A 17.250"
SDRQ-220530	SDRQ-220530-LK	20.473	27.224	5.250	3U	B 20.750"
SDRQ-250530	SDRQ-250530-LK	20.473	27.224	5.250	3U	C 24.250"
SDRQ-300530	SDRQ-300530-LK	20.473	27.224	5.250	3U	D 29.500"
SDRQ-180730	SDRQ-180730-LK	16.973	27.224	7.000	4U	A 17.250"
SDRQ-220730	SDRQ-220730-LK	20.473	27.224	7.000	4U	B 20.750"
SDRQ-250730	SDRQ-250730-LK	20.473	27.224	7.000	4U	C 24.250"
SDRQ-300730	SDRQ-300730-LK	20.473	27.224	7.000	4U	D 29.500"
SDRQ-180830	SDRQ-180830-LK	16.973	27.224	8.750	5U	A 17.250"
SDRQ-220830	SDRQ-220830-LK	20.473	27.224	8.750	5U	B 20.750"
SDRQ-250830	SDRQ-250830-LK	20.473	27.224	8.750	5U	C 24.250"
SDRQ-300830	SDRQ-300830-LK	20.473	27.224	8.750	5U	D 29.500"
SDRQ-181030	SDRQ-181030-LK	16.973	27.224	10.500	6U	A 17.250"
SDRQ-221030	SDRQ-221030-LK	20.473	27.224	10.500	6U	B 20.750"
SDRQ-251030	SDRQ-251030-LK	20.473	27.224	10.500	6U	C 24.250"
SDRQ-301030	SDRQ-301030-LK	20.473	27.224	10.500	6U	D 29.500"
SDRQ-181430	SDRQ-181430-LK	16.973	27.224	14.000	8U	A 17.250"
SDRQ-221430	SDRQ-221430-LK	20.473	27.224	14.000	8U	B 20.750"
SDRQ-251430	SDRQ-251430-LK	20.473	27.224	14.000	8U	C 24.250"
SDRQ-301430	SDRQ-301430-LK	20.473	27.224	14.000	8U	D 29.500"

Drawer with Lift Lid

Drawer with Lid

These drawers can be used for storing equipment which requires easy access, or as a pull-out writing shelf. Heavy-duty ball bearing slides allow for ease of movement and have a quick disconnect feature. Both paint and laminate color selection is necessary at time of order placement.

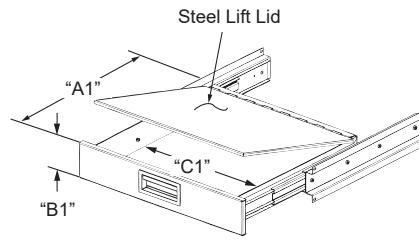
- Load capacity: 90-lbs. evenly distributed.
- Drawer extension: 17" from front of the enclosure.

Part Numbers

19" EIA Width					
Non-Locking	"A1" Drawer Depth	"C1" Drawer Width	"B1" # of Rack Units Used		Fits w/ this Rail to Rail Setting
SRSQ-1819	16.960	16.224	3.5000	2U	A 17.250"
SRSQ-2219	16.960	16.224	3.5000	2U	B 20.750"
SRSQ-2519	16.960	16.224	3.5000	2U	C 24.250"
SRSQ-3019	16.960	16.224	3.5000	2U	D 29.500"

24" EIA Width					
Non-Locking	"A1" Drawer Depth	"C1" Drawer Width	"B1" # of Rack Units Used		Fits w/ this Rail to Rail Setting
SRSQ-1824	16.960	21.224	3.5000	2U	A 17.250"
SRSQ-2224	16.960	21.224	3.5000	2U	B 20.750"
SRSQ-2524	16.960	21.224	3.5000	2U	C 24.250"
SRSQ-3024	16.960	21.224	3.5000	2U	D 29.500"

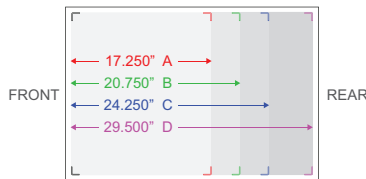
30" EIA Width					
Non-Locking	"A1" Drawer Depth	"C1" Drawer Width	"B1" # of Rack Units Used		Fits w/ this Rail to Rail Setting
SRSQ-1830	16.960	27.224	3.5000	2U	A 17.250"
SRSQ-2230	16.960	27.224	3.5000	2U	B 20.750"
SRSQ-2530	16.960	27.224	3.5000	2U	C 24.250"
SRSQ-3030	16.960	27.224	3.5000	2U	D 29.500"



Drawer with Lid

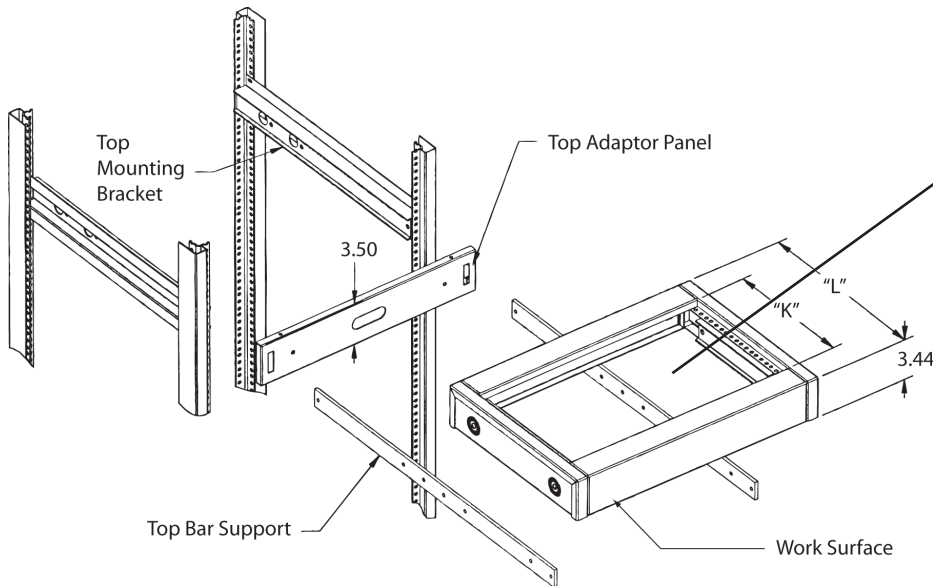
Rail to Rail Settings (mounts to rails or straps - not square hole rails)

This item requires both a front and rear attach point. Since the rear rails inside of a frame can be positioned in multiple locations, or multiple sets of rails may be used, be sure to select the proper part number based on the rail settings. The following image indicates standard rail locations that will allow this item to be properly positioned.



Steel Work Surfaces

Extended arm steel writing tops are designed to attach to the front of vertical, or slope front frames by means of an adapter panel, support bars and brackets. The open well design permits the insertion of a work surface panel, either steel or laminate. Or equipment can be mounted directly in the well area attaching to the mounting flange along the sides. The work surface frame and top adapter panel requires a color choice while the balance of support hardware is provided in a smooth black finish. If protection is required around the cable access cutout in the top adapter panel, grommet material can be ordered as an optional item under part number GMT-0012. Each cutout requires 1' of material. (Sold by the foot)



Open Well

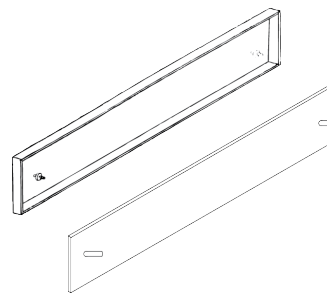
Insert panel is placed in this area. It acts as the work surface. Choose from a solid steel or laminate panel, or mount equipment to the flanges.

Part Numbers

19" EIA Width	24" EIA Width	30" EIA Width	Rail Settings		
			"L" Overall Depth	"K" Panel Depth	Fits w/ this Rail to Rail Setting
SFR-61A-18	SFR-261A-18	SFR-461A-18	15.000	10.500	6U A 17.250"
SFR-61A-22	SFR-261A-22	SFR-461A-22	15.000	10.500	6U B 20.750"
SFR-61A-25	SFR-261A-25	SFR-461A-25	15.000	10.500	6U C 24.250"
SFR-61A-31	SFR-261A-31	SFR-461A-31	15.000	10.500	6U D 29.500"
SFR-62A-18	SFR-262A-18	SFR-462A-18	18.500	14.000	8U A 17.250"
SFR-62A-22	SFR-262A-22	SFR-462A-22	18.500	14.000	8U B 20.750"
SFR-62A-25	SFR-262A-25	SFR-462A-25	18.500	14.000	8U C 24.250"
SFR-62A-31	SFR-262A-31	SFR-462A-31	18.500	14.000	8U D 29.500"
SFR-63A-18	SFR-263A-18	SFR-463A-18	22.000	17.500	10U A 17.250"
SFR-63A-22	SFR-263A-22	SFR-463A-22	22.000	17.500	10U B 20.750"
SFR-63A-25	SFR-263A-25	SFR-463A-25	22.000	17.500	10U C 24.250"
SFR-63A-31	SFR-263A-31	SFR-463A-31	22.000	17.500	10U D 29.500"
SFR-64A-18	SFR-264A-18	SFR-464A-18	25.500	21.000	12U A 17.250"
SFR-64A-22	SFR-264A-22	SFR-464A-22	25.500	21.000	12U B 20.750"
SFR-64A-25	SFR-264A-25	SFR-464A-25	25.500	21.000	12U C 24.250"
SFR-64A-31	SFR-264A-31	SFR-464A-31	25.500	21.000	12U D 29.500"

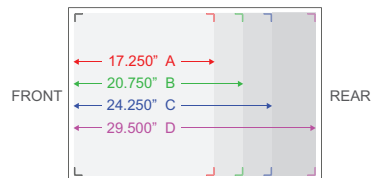
Side Panels

Formed Inside Removable Solid	Flat Inside Removable Solid
SSP-61A	SSP-61A-FL
SSP-62A	SSP-62A-FL
SSP-63A	SSP-63A-FL
SSP-64A	SSP-64A-FL



Rail to Rail Settings (mounts to rails or straps - not square hole rails)

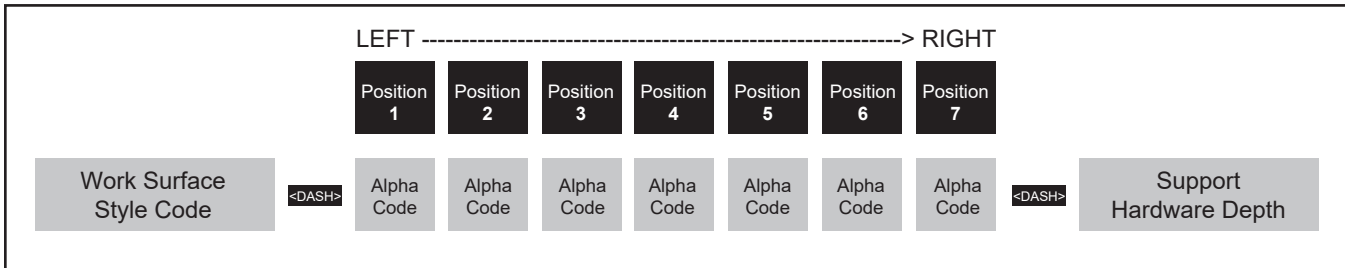
This item requires both a front and rear attach point. Since the rear rails inside of a frame can be positioned in multiple locations, or multiple sets of rails may be used, be sure to select the proper part number based on the rail settings. The following image indicates standard rail locations that will allow this item to be properly positioned.



Work Surfaces

The following procedure allows the most common work surface to be configured without vendor or factory assistance.

- Begin by determining which work surface style is to be ordered
- Insert the appropriate work surface style code.
- <DASH>
- Beginning in the left position of the configuration and continuing to the right, insert the appropriate alpha code.
- <DASH>
- Insert the depth of the support hardware needed.



Work Surface Style Code Options	Configuration Alpha Code Options	*Rail to Rail Settings
WSL = laminate edge WST = t edge WSB = bull nose edge WSO = oak edge	A = 19" panel width frame C = 24" panel width frame E = 30" panel width frame G = 30° wedge H = 45° wedge	18 = 17.250 (A) 22 = 20.750 (B) 25 = 24.250 (C) 30 = 29.500 (D)

Laminate

The following laminate colors are available for the WSL, WST, WSB, and WSO work surface styles. Sample kits are available.

Part Numbers

260	Warm Cherry
258	Vintage Oak
259	Butternut
250	Antique White
264	String

Part Numbers

256	Onyx
262	Speckle Gray
255	Granite
263	Birch
252	Sandstone



Static Dissipative Laminate

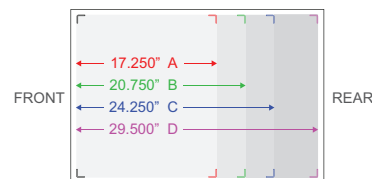
Static dissipative laminate available upon request. Ask about color availability and lead time.

Corian®

The ultimate in seamless elegance and durability, Corian solid surface writing surfaces are available in a wide range of patterns and colors. Some installations may require a local licensed Corian® contractor to finalize the install. Contact the factory for layout, edge style, lead time and pricing.

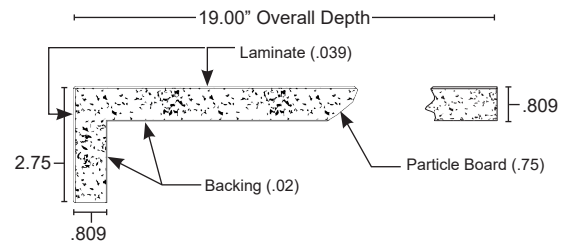
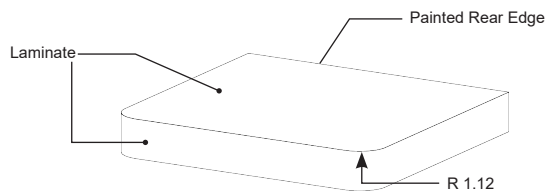
*Rail to Rail Settings

This item requires both a front and rear attach point. Since the rear rails inside of a frame can be positioned in multiple locations, or multiple sets of rails may be used, be sure to select the proper part number based on the rail settings. The following image indicates standard rail locations that will allow this item to be properly positioned.



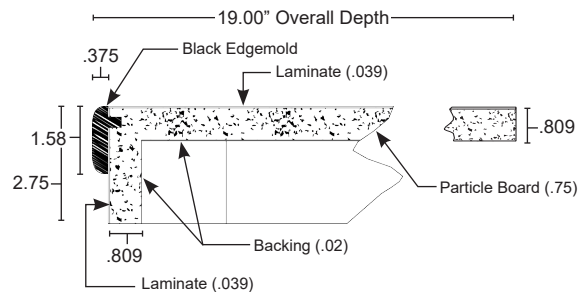
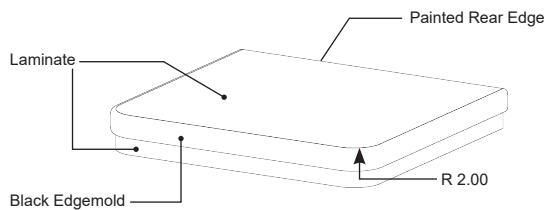
WSL: Laminate Edge Section View

One-piece laminated writing surface constructed of high quality plastic laminate bonded to a substrate of wood particle board. Rounded front corners provide a clean and aesthetically pleasing user interface.



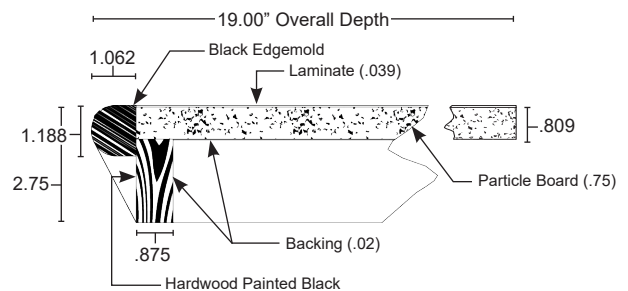
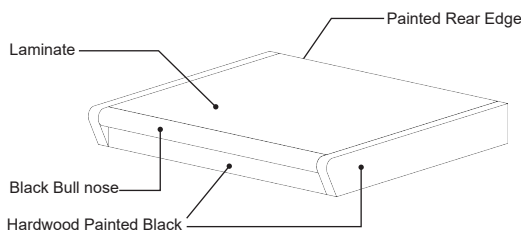
WST: T-edge Section View

Designed for high usage work areas, this writing surface style includes edge molding that adds durability and beauty to your work surface. The black colored edging is permanently adhered to the front and sides of the writing surface. The writing surface is constructed of high-quality laminate bonded to a wood particle board substrate.



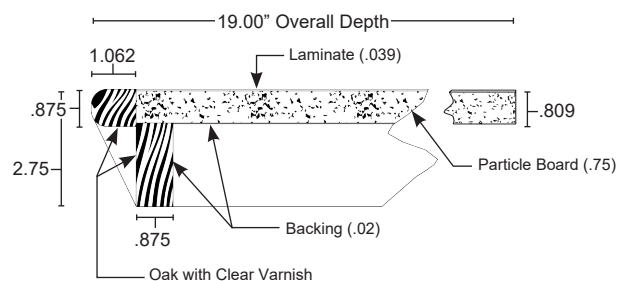
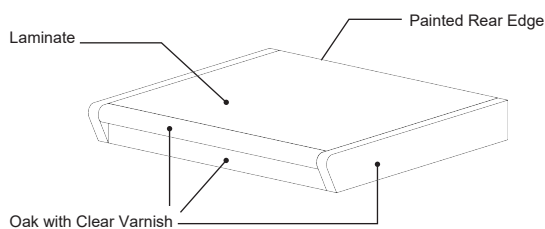
WSB: Bull Nose Edge Section View

This style writing surface combines a laminated top surface with hardwood sides and rubber front edge. The wood sides are painted black to match the front rubber edging. The combination of wood, laminate, and edging provides a pleasing contrast of materials and textures. The edging is semi-soft to touch and textured finish.



WSO: Oak Edge Section View

One-piece laminated writing surface constructed of high quality plastic laminate bonded to a substrate of wood particle board. Front rounded edges and sides are real oak, providing a rich appearance.



Articulating Monitor Arms

Step 1: Choose the Monitor Set-Up

Select from horizontal or vertical monitor set-ups with up to four monitors on one pole.



Horizontal Set-Ups

Choose from set-ups with one, two, or three monitors aligned horizontally. Each arm configuration comes with an 18" tall pole that fits into the base options available.

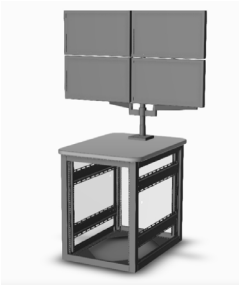
1 Monitor Set-Up



2 Monitor Set-Up



3 Monitor Set-Up



Vertical Set-Ups

Choose from set-ups with two or four monitors aligned vertically. Each arm configuration comes with a 24" tall pole that fits into the base options available.

2 Monitor Set-Up

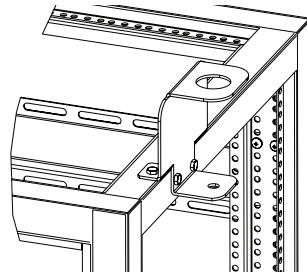


4 Monitor Set-Up



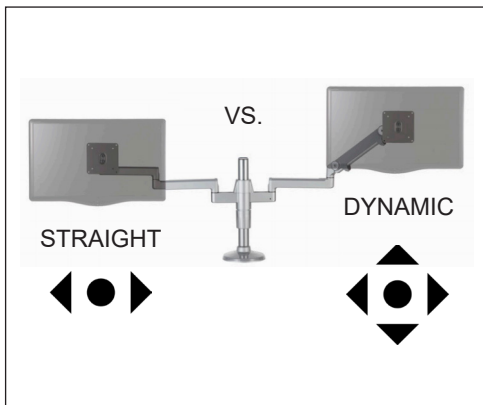
Step 2: Choose the Mounting Base

Select from three mounting options. These bases allow the Articulating Monitor Arms to be mounted on a work surface or to the frame.



Step 3: Choose the Arm Style

Select from arms that allow horizontal or both horizontal and vertical movement.



Straight Link Style Articulating Monitor Arms

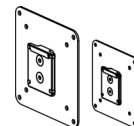
Straight link style arms allow for horizontal monitor movement. The arms allow the user to adjust the monitor left or right as needed. At the end of each arm is a ball joint, allowing the tilt of the monitor to be adjusted as well.

Dynamic Link Style Articulating Monitor Arms

Dynamic link style arms allow for both horizontal and vertical monitor adjustment via the use of extension spring technology located on the second link of the arm. At the end of each arm is a ball joint, allowing the tilt of the monitor to be adjusted as well.

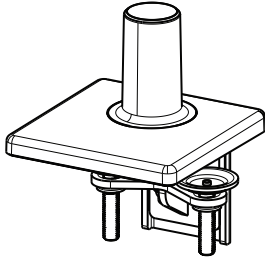
VESA Mounting Plates

Every arm comes with two VESA mounting plates sized 100mm and 75mm. These will accommodate most monitors.



Mounting Base Options for Articulating Arms

The following base options can be used in conjunction with a work surface or frame to mount an articulating arm to. These base options accept monitor arm configuration that come with a pole. All mounting hardware is included.

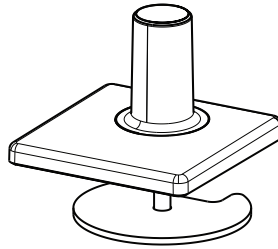


Part Number

HS-B-C

Clamp Style Mount

NOTE: This mount requires a square edge to clamp to.

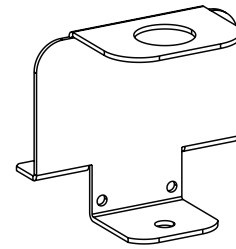


Part Number

HS-B-G

Grommet Style Mount

NOTE: This mount requires a grommet hole to be drilled in the work surface.



Part Number

MFBASE-F

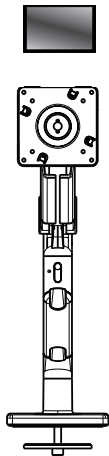
Frame Style Mount

NOTE: This mount requires the frame to be drilled

Heavy Duty Mount - All In One

The following option can be used to support monitors weighing up to 25 lbs. This set-up includes the Grommet style mount and does not require a mount to be ordered separately.

1 Monitor Set-Up



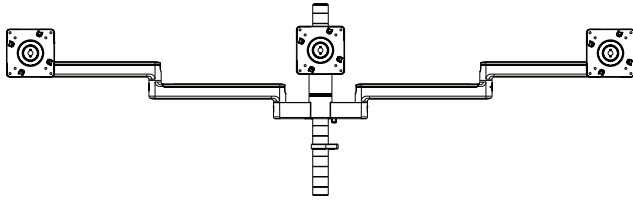
Part Number

HS-G1-AD-M8

Straight Link Style Articulating Arms

Straight Link Style Articulating Monitor Arms

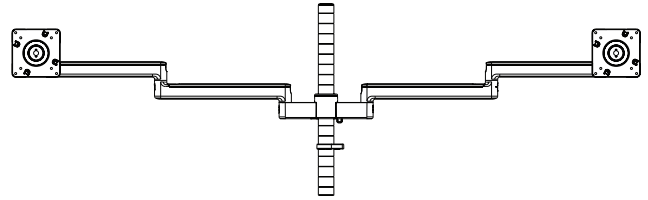
Straight link style arms allow the user to adjust the monitor left or right as needed. At the end of each arm is a ball joint, allowing the tilt of the monitor to be adjusted as well. The monitor arms are free of harmful Red List chemicals and include a built-in Counterbalance Indicator allowing the installer to counterbalance the monitor weight without a monitor. Each arm is black in color and can support one monitor weighing up to 15 lbs. Mounting base sold separately.



3 Monitor | Horizontal Set-Up



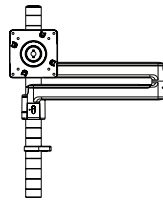
Part Number
HS-P3-S12S12-N-S12S12



2 Monitor | Horizontal Set-Up



Part Number
HS-P2H-S12S12



1 Monitor | Horizontal Set-Up



Part Number
HS-P1-S12S12

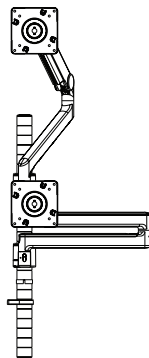


1 Monitor | Horizontal Set-Up



Part Number
HS-P1-N

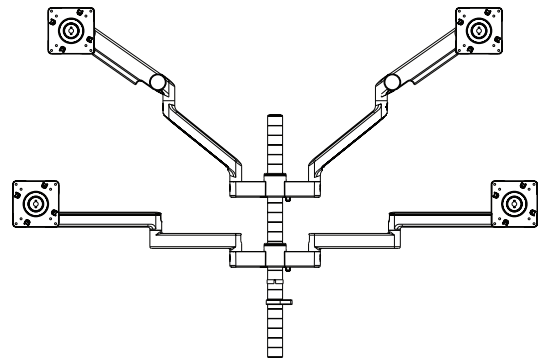
Note: This set-up utilizes a ball joint, no arm, allowing only the tilt of the monitor to be adjusted.



2 Monitor | Vertical Set-Up



Part Number
HS-P2V-S12S12-AD



4 Monitor | Vertical Set-Up

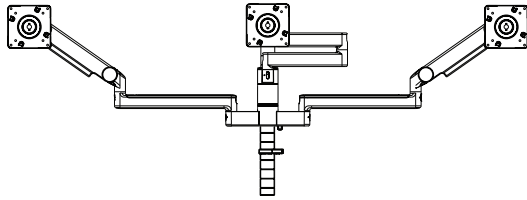


Part Number
HS-P4-S12S12-AD

Dynamic Link Style Articulating Arms

Dynamic Link Style Articulating Monitor Arms

Dynamic link style arms allow for both horizontal and vertical monitor adjustment via the use of extension spring technology located on the second link of the arm. At the end of each arm is a ball joint, allowing the tilt of the monitor to be adjusted as well. The monitor arms are free of harmful Red List chemicals and include a built-in Counterbalance Indicator allowing the installer to counterbalance the monitor weight without a monitor. Each arm is black in color and can support one monitor weighing up to 15 lbs. Mounting base sold separately.

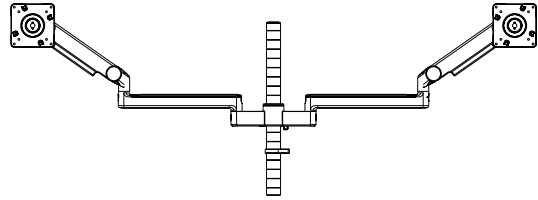


3 Monitor | Horizontal Set-Up



Part Number

HS-P3-S12D-S8S8-S12D

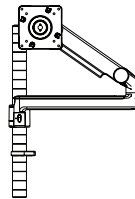


2 Monitor | Horizontal Set-Up



Part Number

HS-P2H-S12D

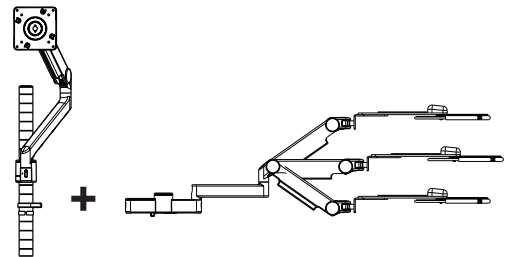


1 Monitor | Horizontal Set-Up



Part Number

HS-P1-S12D



1 Monitor and Keyboard | Horizontal Set-Up



Part Number

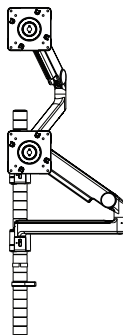
HS-P1-AD



Part Number

HS-P1-S8D-K

Note: This set-up utilizes an angled first link. Commonly used in conjunction with a keyboard.

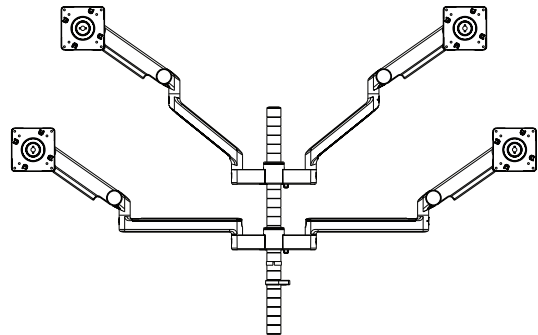


2 Monitor | Vertical Set-Up



Part Number

HS-P2V-S12D-AD



4 Monitor | Vertical Set-Up



Part Number

HS-P4-S12D-AD

Dual Fan Panels

Dual Fan Panel

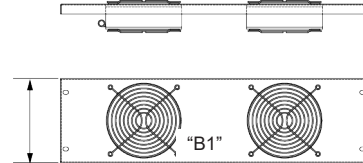
Dual fan panels are designed to mount in the front, rear, and top panel openings and are primarily used to help protect rack-mount equipment from overheating, performance issues, and shortened lifespan.

- 115 Volt AC power or 230 Volt AC Power.
- Fan Motors are UL component recognized; CSA certified.
- Fan size: 4.625" square x 1.5" deep.
- Operating temperature range: -4°F to +158°F.

Part Numbers

19" EIA Width									
	Airflow	# of Fans	CFM	Watts	Volts	dBA	"B1" # of Rack Units Used		Plug
XPN-0519-FP-2I	Intake	2	204	40	115	43	5.250	3U	yes
XPN-0519-FP-2E	Exhaust	2	204	40	115	43	5.250	3U	yes
XPN-0519-FP-2I-220	Intake	2	204	40	230	43	5.250	3U	no
XPN-0519-FP-2E-220	Exhaust	2	204	40	230	43	5.250	3U	no

Air delivery based on operating at 60 HZ, single phase power.



24" EIA Width									
	Airflow	# of Fans	CFM	Watts	Volts	dBA	"B1" # of Rack Units Used		Plug
XPN-0524-FP-2I	Intake	2	204	40	115	43	5.250	3U	yes
XPN-0524-FP-2E	Exhaust	2	204	40	115	43	5.250	3U	yes
XPN-0524-FP-2I-220	Intake	2	204	40	230	43	5.250	3U	no
XPN-0524-FP-2E-220	Exhaust	2	204	40	230	43	5.250	3U	no

Air delivery based on operating at 60 HZ, single phase power.

Note:

115 Volt includes a 6' power cord with molded 5-15P plug.
230 Volt has no plug.

Note

If the fans are set to **intake** cooler air they should be positioned near the bottom of the rack.

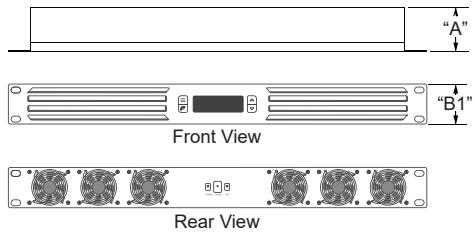
If the fans are set to **exhaust** out heated air they should be positioned near the top of the rack.

Thermostatically Controlled Rack Fan Panels

Thermostatically Controlled Rack Fan Panels

Thermostatically controlled rack fans panels are designed to mount in the front or rear panel openings and are primarily used to help protect rack-mount equipment from overheating, performance issues, and shortened lifespan.

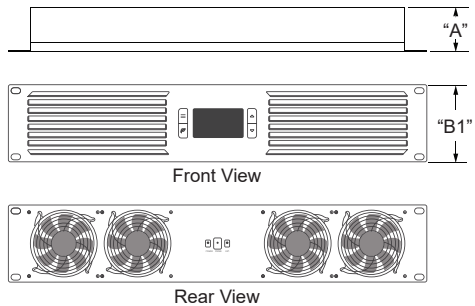
- 115 Volt AC power.
- Operating temperature range: 14°F to 230°F.
- Programmable thermostat controller with automated speed control, alarm warnings, and backup memory.
- PWM-controlled motor features precise speed control, reduced rotor noise, and runs on energy efficient DC voltage.
- Fan Motors are UL component recognized; CSA certified.
- Fans contain long-life ball bearings rated at 67,000 hours and are certified by CE, UL, and RoHS.
- Corded precision sensor probe constructed of stainless steel.
- Supplied with a 72" 18/3 SJT power cord with a NEMA 5-15P plug.
- Each unit contains a DC connector port which can be used to control another rack fan.



Part Numbers

	Airflow	# of Fans	CFM	Watts	Volts	dBA	"A" Fan Depth	"B1" # of Rack Units Used	
PN-0119-060I-FP	Intake	6	20-60	8	12	8-28	1.50	1.75	1U
PN-0119-060E-FP	Exhaust	6	20-60	8	12	8-28	1.50	1.75	1U

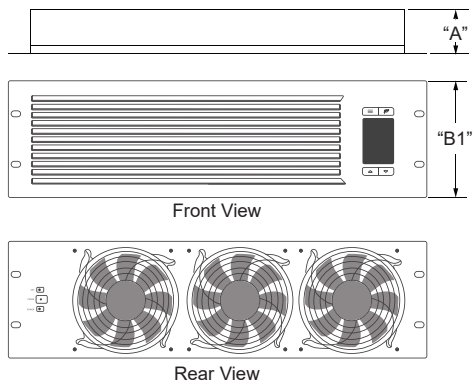
Air delivery based on operating at 115 volts, 60 HZ, single phase power.



Part Numbers

	Airflow	# of Fans	CFM	Watts	Volts	dBA	"A" Fan Depth	"B1" # of Rack Units Used	
PN-0319-130I-FP	Intake	3	50-220	10	12	10-36	1.50	3.50	2U
PN-0319-130E-FP	Exhaust	3	50-220	10	12	10-36	1.50	3.50	2U

Air delivery based on operating at 115 volts, 60 HZ, single phase power.



Part Numbers

	Airflow	# of Fans	CFM	Watts	Volts	dBA	"A" Fan Depth	"B1" # of Rack Units Used	
PN-0519-300I-FP	Intake	3	60-300	12	12	12-38	2.00	5.25	3U
PN-0519-300E-FP	Exhaust	3	60-300	12	12	12-38	2.00	5.25	3U

Air delivery based on operating at 115 volts, 60 HZ, single phase power.

Note

If the fans are set to **intake** cooler air they should be positioned near the bottom of the rack.
 If the fans are set to **exhaust** out heated air they should be positioned near the top of the rack.

Fan Trays

Fan Trays

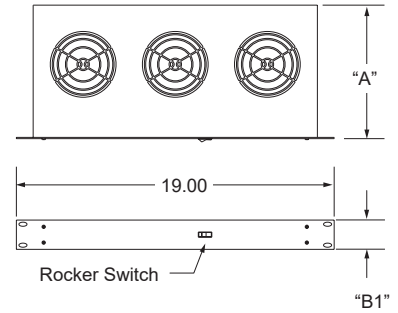
Fan trays mount to the front flange of the mounting rails and are primarily used for spot cooling within a frame.

- 115 Volt and 230 Volt AC power options.
- Fan Motors are UL component recognized; CSA certified.
- Exhaust guards on the top and bottom.
- Rear support brackets.
- Supplied with a 72" power cord with a NEMA 5-15P plug.

Part Numbers

19" EIA Width	# of Fans	CFM	Watts	Volts	dBA	"A" Fan Tray Depth	"B1" # of Rack Units Used		Rear Support Bracket Max Depth
FT-3-115V-300-NT	3	310	45	115	53	8.00	1.75	1U	-
FT-3-230V-300-NT	3	310	45	230	53	8.00	1.75	1U	-

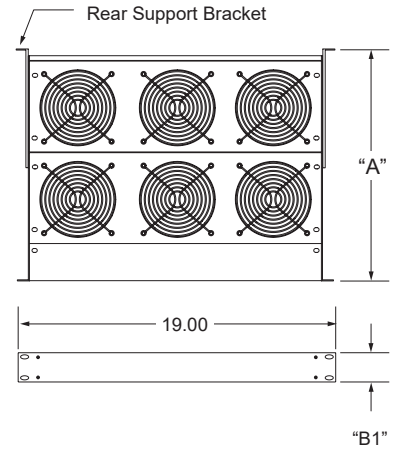
Air delivery based on operating at 60 HZ, single phase power.



Part Numbers

19" EIA Width	# of Fans	CFM	Watts	Volts	dBA	"A" Fan Tray Depth	"B1" # of Rack Units Used		Rear Support Bracket Max Depth
FT-6-115V-660	6	660	90	115	47	14.00	1.75	1U	21.00"
FT-6-115/230V-660	6	660	90	115/230	47	14.00	1.75	1U	21.00"

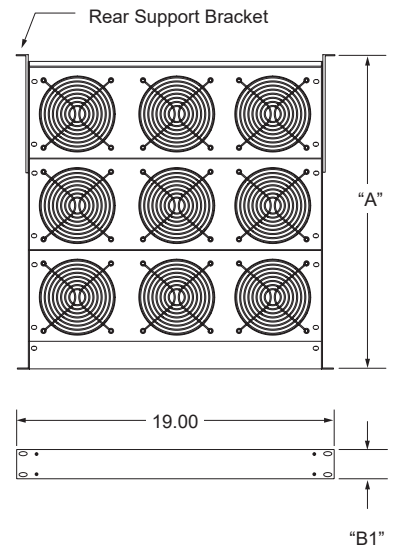
Air delivery based on operating at 60 HZ, single phase power.



Part Numbers

19" EIA Width	# of Fans	CFM	Watts	Volts	dBA	"A" Fan Tray Depth	"B1" # of Rack Units Used		Rear Support Bracket Max Depth
FT-9-115V-990	9	990	135	115	47	19.00	1.75	1U	26.00"
FT-9-230V-990	9	990	135	230	47	19.00	1.75	1U	26.00"

Air delivery based on operating at 60 HZ, single phase power.



Thermostatically Controlled Fan Trays

Thermostatically Controlled Fan Trays

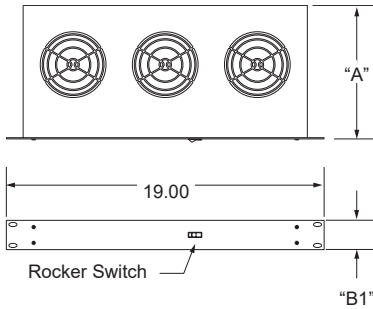
Fan trays mount to the front flange of the mounting rails and are primarily used for spot cooling within a frame. The thermostat senses the ambient temperature and adjusts its fan speed accordingly.

- 115 Volt and 230 Volt AC power options.
- Hub mounted or remote detachable thermistor.
- 600,000 hour life expectancy.
- Fan Motors are UL component recognized; CSA certified.
- Supplied with a 72" power cord with a NEMA 5-15P plug.

Part Numbers

19" EIA Width	Thermistor Location	# of Fans	CFM	Watts	Volts	dBA	"A" Fan Tray Depth	"B1" # of Rack Units Used	
FT-3-115V-300-HMT	Hub Mounted	3	190-300	45	115	37-45	8.00	1.75	1U
FT-3-230V-300-HMT	Hub Mounted	3	190-300	45	230	37-45	8.00	1.75	1U
FT-3-115V-300-RDT	Remote / Detachable	3	190-300	45	115	37-45	8.00	1.75	1U

Air delivery based on operating at 60 HZ, single phase power.

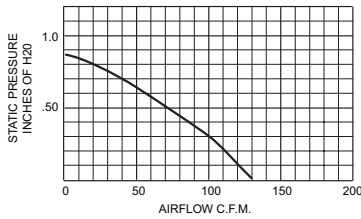


Blowers

Packaged Blowers

Packaged blowers effectively cool critical electronic components within an enclosure by means of clean positive air pressure.

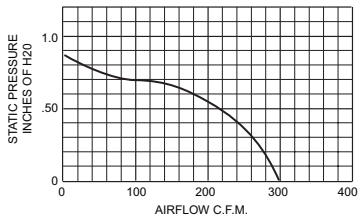
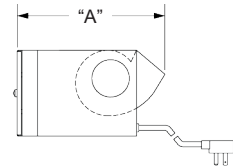
- 115 and 230 Volt AC power.
- Permanent washable filter which can be serviced without removing the blower from the rack.
- Operating temperature range: 20°F to 250°F.
- Fan motors are UL component recognized; CSA certified.
- Motor: Shaded-pole, rust resistant shaft, double shielded ball bearings and permanently lubricated.
- Includes exhaust guards and 65% open stainless-steel grille with captive fasteners.



Part Number - 115 Volt | Part Number - 230 Volt

BL-130				BL-130-230			
CFM	Watts	AMPS		dBA	"A" Blower Depth	"B1" # of Rack Units Used	
		RUN	L.R.				
130	65	0.8	1.3	66.0	7.690	5.250	3U

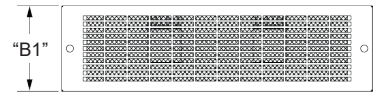
Adapter bracket part number **ABA-05** | Weight 13 lbs.
 Replacement filter part number **FI-130-300**



Part Number - 115 Volt | Part Number - 230 Volt

BL-300				BL-300-230			
CFM	Watts	AMPS		dBA	"A" Blower Depth	"B1" # of Rack Units Used	
		RUN	L.R.				
300	95	1.4	1.9	64.5	7.690	5.250	3U

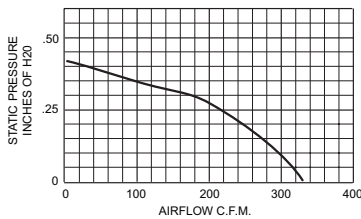
Adapter bracket part number **ABA-05** | Weight 13 lbs.
 Replacement filter part number **FI-130-300**



Blower Detail

Note:

115 Volt includes a 3' power cord with molded 5-15P plug.
 230 Volt includes a 3' power cord with no plug.



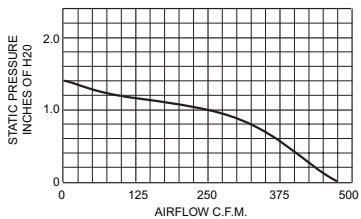
Part Number - 115 Volt | Part Number - 230 Volt

BL-330				BL-330-230			
CFM	Watts	AMPS		dBA	"A" Blower Depth	"B1" # of Rack Units Used	
		RUN	L.R.				
330	85	1.1	1.6	60.2	10.060	7.000	4U

Adapter bracket part number **ABA-07** | Weight 18 lbs.
 Replacement filter part number **FI-330-470**

Note:

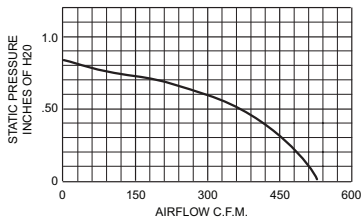
Blowers fit 19" EIA panel openings. When the blower is to be installed in a 24" EIA panel opening, an adapter bracket is required. The correct adapter bracket number is listed in each table and must be ordered separately.



Part Number - 115 Volt | Part Number - 230 Volt

BL-470				BL-470-230			
CFM	Watts	AMPS		dBA	"A" Blower Depth	"B1" # of Rack Units Used	
		RUN	L.R.				
470	185	1.7	3.1	66.7	10.250	7.000	4U

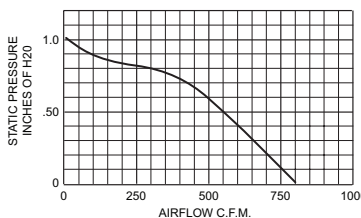
Adapter bracket part number **ABA-07** | Weight 18 lbs.
 Replacement filter part number **FI-330-470**



Part Number - 115 Volt

BL-525							
CFM	Watts	AMPS		dBA	"A" Blower Depth	"B1" # of Rack Units Used	
		RUN	L.R.				
525	140	1.3	1.9	63.6	11.560	8.750	5U

Adapter bracket part number **ABA-08** | Weight 28 lbs.
 Replacement filter part number **FI-525**



Part Number - 115 Volt | Part Number - 230 Volt

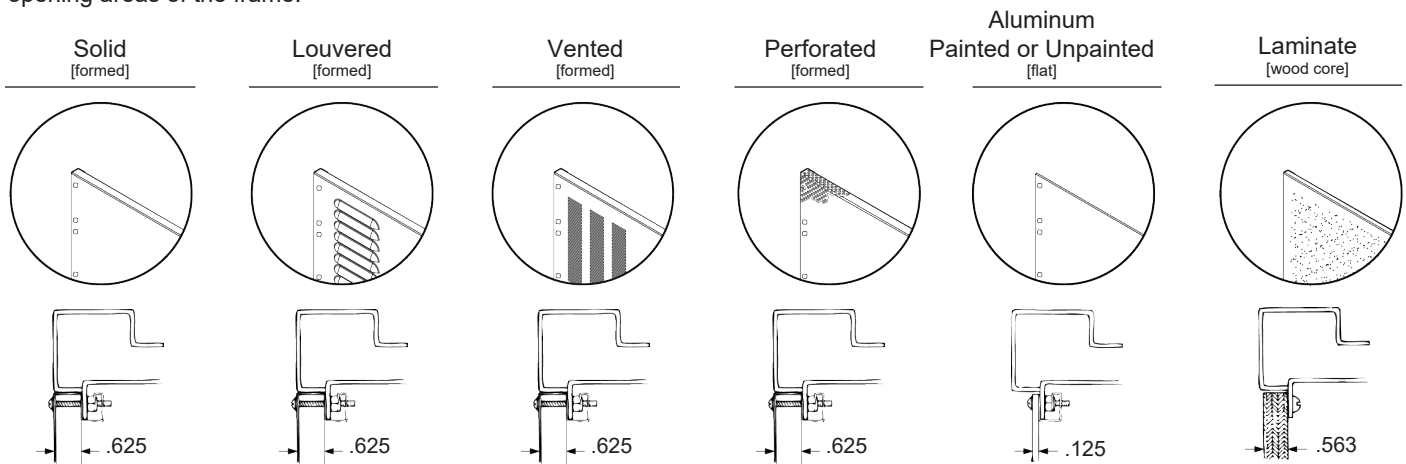
BL-800*				BL-800-230*			
CFM	Watts	AMPS		dBA	"A" Blower Depth	"B1" # of Rack Units Used	
		RUN	L.R.				
800	260	2.5	5.1	71.2	13.130	10.500	6U

Adapter bracket part number **ABA-10** | Weight 35 lbs.
 Replacement filter part number **FI-800**
 *6 week lead time item

Air delivery based on operating at 60 HZ, single phase power.

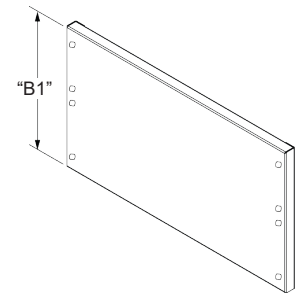
Filler Panels

Available in 6 different styles, filler panels are designed to close off all, or portions of, the top, bottom, front, rear, and slope opening areas of the frame.



Part Numbers

Solid	Louvered	Vented	Perforated	Aluminum**	Laminate	"B1" # of Rack Units Used	
XPN-0119				XPN-0119-A	XPN-0119-F	1.750	1U
XPN-0319			XPN-0319-PA	XPN-0319-A	XPN-0319-F	3.500	2U
XPN-0519	XPN-0519-LV	XPN-0519-V	XPN-0519-PA	XPN-0519-A	XPN-0519-F	5.250	3U
XPN-0719	XPN-0719-LV	XPN-0719-V	XPN-0719-PA	XPN-0719-A	XPN-0719-F	7.000	4U
XPN-0819	XPN-0819-LV	XPN-0819-V	XPN-0819-PA	XPN-0819-A	XPN-0819-F	8.750	5U
XPN-1019	XPN-1019-LV	XPN-1019-V	XPN-1019-PA	XPN-1019-A	XPN-1019-F	10.500	6U
XPN-1219	XPN-1219-LV	XPN-1219-V	XPN-1219-PA	XPN-1219-A	XPN-1219-F	12.250	7U
XPN-1419	XPN-1419-LV	XPN-1419-V	XPN-1419-PA	XPN-1419-A	XPN-1419-F	14.000	8U
XPN-1519	XPN-1519-LV	XPN-1519-V	XPN-1519-PA	XPN-1519-A	XPN-1519-F	15.750	9U
XPN-1719	XPN-1719-LV	XPN-1719-V	XPN-1719-PA	XPN-1719-A	XPN-1719-F	17.500	10U
XPN-1919	XPN-1919-LV	XPN-1919-V	XPN-1919-PA	XPN-1919-A	XPN-1919-F	19.250	11U
XPN-2119	XPN-2119-LV	XPN-2119-V	XPN-2119-PA	XPN-2119-A	XPN-2119-F	21.000	12U
XPN-2219	XPN-2219-LV	XPN-2219-V	XPN-2219-PA	XPN-2219-A	XPN-2219-F	22.750	13U
XPN-2419	XPN-2419-LV	XPN-2419-V	XPN-2419-PA	XPN-2419-A	XPN-2419-F	24.500	14U
XPN-2619	XPN-2619-LV	XPN-2619-V	XPN-2619-PA	XPN-2619-A	XPN-2619-F	26.250	15U
XPN-2819	XPN-2819-LV	XPN-2819-V	XPN-2819-PA	XPN-2819-A	XPN-2819-F	28.000	16U
XPN-2919	XPN-2919-LV	XPN-2919-V	XPN-2919-PA	contact factory	contact factory	29.750	17U
XPN-3119	XPN-3119-LV	contact factory	contact factory	contact factory	contact factory	31.500	18U
XPN-3319	XPN-3319-LV	XPN-3319-V	XPN-3319-PA	contact factory	XPN-3319-F	33.250	19U
XPN-3519	XPN-3519-LV	contact factory	contact factory	contact factory	contact factory	35.000	20U
XPN-3619	XPN-3619-LV	contact factory	contact factory	contact factory	contact factory	36.750	21U
XPN-3819	XPN-3819-LV	XPN-3819-V	XPN-3819-PA	contact factory	XPN-3819-F	38.500	22U
XPN-4019	XPN-4019-LV	contact factory	contact factory	contact factory	contact factory	40.250	23U
XPN-4219	XPN-4219-LV	contact factory	contact factory	contact factory	contact factory	42.000	24U
XPN-4319	XPN-4319-LV	contact factory	contact factory	contact factory	contact factory	43.750	25U
XPN-4519	XPN-4519-LV	contact factory	contact factory	contact factory	contact factory	45.500	26U
XPN-4719	XPN-4719-LV	contact factory	contact factory	contact factory	contact factory	47.250	27U
XPN-4919	XPN-4919-LV	contact factory	contact factory	contact factory	contact factory	49.000	28U
XPN-5219	XPN-5219-LV	contact factory	contact factory	contact factory	contact factory	52.500	30U
XPN-5419	XPN-5419-LV	contact factory	contact factory	contact factory	contact factory	54.250	31U
XPN-5619	XPN-5619-LV	contact factory	contact factory	contact factory	contact factory	56.000	32U
XPN-6119	XPN-6119-LV	contact factory	contact factory	contact factory	contact factory	61.250	35U
XPN-6319	XPN-6319-LV	contact factory	contact factory	contact factory	contact factory	63.000	36U
XPN-6419	XPN-6419-LV	contact factory	contact factory	contact factory	contact factory	64.750	37U
XPN-7019	XPN-7019-LV	contact factory	contact factory	contact factory	contact factory	70.000	40U
XPN-7119	XPN-7119-LV	contact factory	contact factory	contact factory	contact factory	71.750	41U
XPN-7319	XPN-7319-LV	contact factory	contact factory	contact factory	contact factory	73.500	42U
XPN-7819	XPN-7819-LV	contact factory	contact factory	contact factory	contact factory	78.750	45U



Material

Aluminum:
1/8" Aluminum.

Laminate:
Wood core with
laminated surface.

Solid:
16-gauge steel.

Louvered:
16-gauge steel.

Vented:
16-gauge steel.

Perforated:
16-gauge steel.

For 24" EIA width, change "19" to "24" in part number. Example: XPN-2119-LV becomes XPN-2124-LV.

For 30" EIA width, change "19" to "30" in part number. Example: XPN-2119-LV becomes XPN-2130-LV.

**Add "U" to the end of the part number for the un-painted version. Example: XPN-2219-A becomes XPN-2219-AU.

Cable Pass Through Panels

Cable Pass Through Panels

Cable pass through panels can be mounted in the front, rear, top, or bottom opening of a frame allowing cables to enter and exit the cabinet in an organized fashion.

Part Numbers

19" EIA Width	"B1"	
Plain Grommet	# of Rack Units Used	
XPN-0119-CAP	1.750	1U

24" EIA Width	"B1"	
Plain Grommet	# of Rack Units Used	
XPN-0124-CAP	1.750	1U

30" EIA Width	"B1"	
Plain Grommet	# of Rack Units Used	
XPN-0130-CAP	1.750	1U

Part Numbers

19" EIA Width	"B1"	
Plain Grommet	# of Rack Units Used	
XPN-0319-CAP	3.500	2U

24" EIA Width	"B1"	
Plain Grommet	# of Rack Units Used	
XPN-0324-CAP	3.500	2U

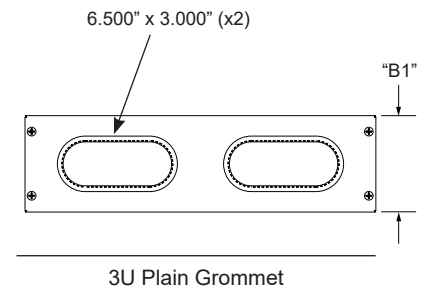
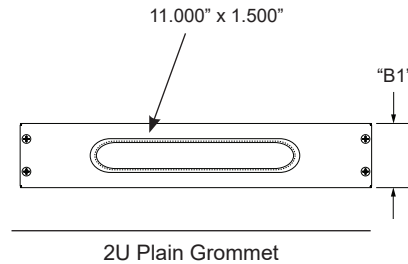
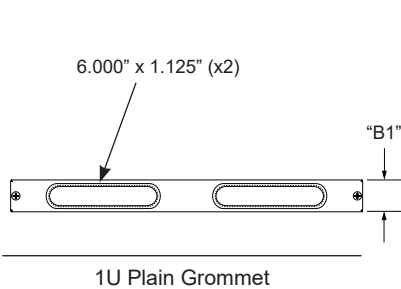
30" EIA Width	"B1"	
Plain Grommet	# of Rack Units Used	
XPN-0330-CAP	3.500	2U

Part Numbers

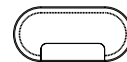
19" EIA Width	"B1"	
Plain Grommet	# of Rack Units Used	
XPN-0519-CAP	5.250	3U

24" EIA Width	"B1"	
Plain Grommet	# of Rack Units Used	
XPN-0524-CAP	5.250	3U

30" EIA Width	"B1"	
Plain Grommet	# of Rack Units Used	
XPN-0530-CAP	5.250	3U



Grommet cap (6.5" x 3.0") available for use with the 3U cable pass through panels. Sold as each.



Part Number

XPN-05-CAP-GC

Additional plain grommet material is available. Sold by the foot.

Part Number

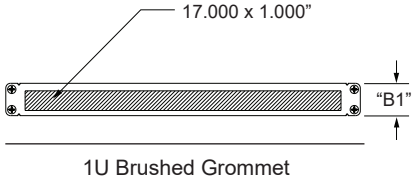
GMT-0012

Cable Pass Through Panels

Cable pass through panels can be mounted in the front, rear or top opening of a frame allowing cables to enter and exit the cabinet in an organized fashion.

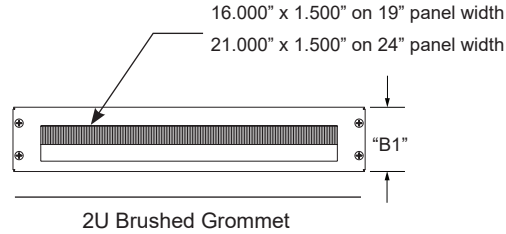
Part Numbers

19" EIA Width		
Brushed Grommet	"B1"	
	# of Rack Units Used	
CMH-1UBGR	1.750	1U



Part Numbers

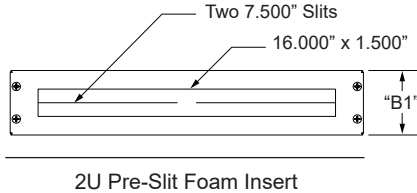
19" EIA Width		
Brushed Grommet	"B1"	
	# of Rack Units Used	
XPN-0319-BGP	3.500	2U



24" EIA Width		
Brushed Grommet	"B1"	
	# of Rack Units Used	
XPN-0324-BGP	3.500	2U

Part Numbers

19" EIA Width		
Foam	"B1"	
	# of Rack Units Used	
XPN-0319-FGP	3.500	2U



24" EIA Width		
Foam	"B1"	
	# of Rack Units Used	
XPN-0324-FGP	3.500	2U

Vent Panels

Vent Grille

Aluminum vent grilles provide an effective means to fulfill your venting requirements.

Part Numbers

19" EIA Width	"B1" # of Rack Units Used		% Opening
AVGX-XXX-000319	3.500	2U	45.0
AVGX-XXX-000519	5.250	3U	50.0
AVGX-XXX-000719	7.000	4U	52.5
AVGX-XXX-000819	8.750	5U	54.0

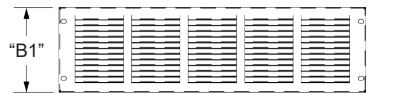


Vent Panel

Steel vent panels provide an effective means to fulfill your venting requirements.

Part Numbers

19" EIA Width	"B1" # of Rack Units Used		% Opening
XPN-0319-VP	3.500	2U	33.8
XPN-0519-VP	5.250	3U	45.1
XPN-0719-VP	7.000	4U	47.9
XPN-0819-VP	8.750	5U	49.6



24" EIA Width	"B1" # of Rack Units Used		% Opening
XPN-0324-VP	3.500	2U	32.1
XPN-0524-VP	5.250	3U	42.9
XPN-0724-VP	7.000	4U	45.5
XPN-0824-VP	8.750	5U	41.1

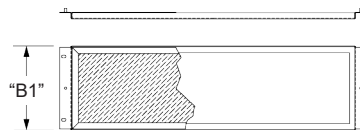
30" EIA Width	"B1" # of Rack Units Used		% Opening
XPN-0330-VP	3.500	2U	31.1
XPN-0530-VP	5.250	3U	40.9
XPN-0730-VP	7.000	4U	42.5
XPN-0830-VP	8.750	5U	41.1

Filter

These filters mount behind aluminum vent grilles, providing protection of airborne particles. Filters are washable and permanent.

Part Numbers

19" EIA Width	"B1" # of Rack Units Used		% Opening
ARFA-XXX-000319	3.500	2U	47.2
ARFA-XXX-000519	5.250	3U	52.5
ARFA-XXX-000719	7.000	4U	55.1
ARFA-XXX-000819	8.750	5U	56.6



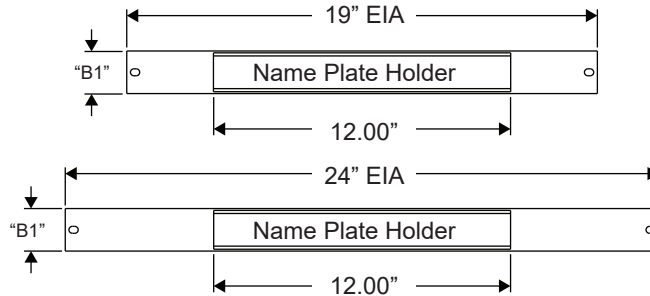
Name Plates

Name plates provide product or system identification. The name plate consists of an aluminum panel with a 12" length extrusion that can be labeled with a protective insert. Name plates mount to the mounting rail utilizing 1U of the available rack space in a frame. The name plate holder itself is 12" in length for both the 19" and 24" EIA Width versions.

Part Numbers

19" EIA Width	"B1" # of Rack Units Used	
APNA-0119-NP	1.750	1U

24" EIA Width	"B1" # of Rack Units Used	
APNA-0124-NP	1.750	1U



Plexiglas® Panels

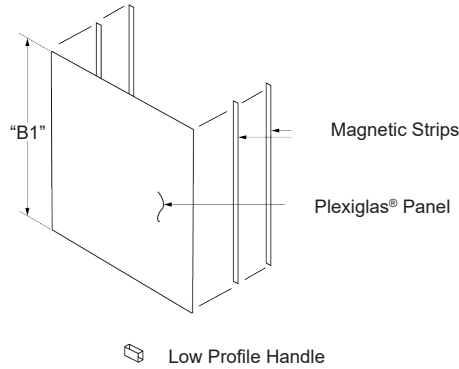
Plexiglas® Panels

Plexiglas® panels are designed to provide an attractive solution for closing off open rack units, yet allowing you to see in to view controls or other monitoring devices. The panels are constructed of .236" thick Plexiglas® and mount to the frame's mounting rails via magnetic strips. Choose from two color choices; smoked gray or bronze.

Part Numbers

19" EIA Width	"B1" # of Rack Units Used		Color
MM-1519-B	15.750	9U	Bronze
MM-1519-G	15.750	9U	Gray
MM-1719-B	17.500	10U	Bronze
MM-1719-G	17.500	10U	Gray
MM-2119-B	21.000	12U	Bronze
MM-2119-G	21.000	12U	Gray

24" EIA Width	"B1" # of Rack Units Used		Color
MM-1524-B	15.750	9U	Bronze
MM-1524-G	15.750	9U	Gray
MM-1724-B	17.500	10U	Bronze
MM-1724-G	17.500	10U	Gray
MM-2124-B	21.000	12U	Bronze
MM-2124-G	21.000	12U	Gray



Low Profile Handle

Add a low profile handle to the panel. The handle is black polished acrylic.

Part Number

MMP-01



Single Fan Panel

Single Fan Panels are designed to mount in the top panel opening of a frame.

- 115 Volt AC power or 230 Volt AC Power.
- Fan Motors are UL component recognized; CSA certified.
- 10" diameter fan size with 2 finger guards.
- The life expectancy of the fan @ 104°F is 60,000 hours.
- Operating temperature range: -22°F to +140°F.
- The fan has a Feathered Edge™ blade for better noise control.

Part Numbers

19" EIA Width							
	# of Fans	CFM	Watts	Volts	dBa	"A1" Panel Depth	Plug
XPN-1719-FP	1	550	35	115	55	17.500 10U	yes
XPN-1719-FP-230	1	550	35	230	55	17.500 10U	no
XPN-2119-FP	1	550	35	115	55	21.000 12U	yes
XPN-2119-FP-230	1	550	35	230	55	21.000 12U	no
XPN-2219-FP	1	550	35	115	55	22.750 13U	yes
XPN-2219-FP-230	1	550	35	230	55	22.750 13U	no
XPN-2619-FP	1	550	35	115	55	26.250 15U	yes
XPN-2619-FP-230	1	550	35	230	55	26.250 15U	no

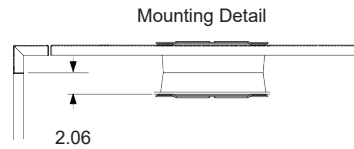
Air delivery based on operating at 60 HZ, single phase power.

24" EIA Width							
	# of Fans	CFM	Watts	Volts	dBa	"A1" Panel Depth	Plug
XPN-1724-FP	1	550	35	115	55	17.500 10U	yes
XPN-1724-FP-230	1	550	35	230	55	17.500 10U	no
XPN-2124-FP	1	550	35	115	55	21.000 12U	yes
XPN-2124-FP-230	1	550	35	230	55	21.000 12U	no
XPN-2224-FP	1	550	35	115	55	22.750 13U	yes
XPN-2224-FP-230	1	550	35	230	55	22.750 13U	no
XPN-2624-FP	1	550	35	115	55	26.250 15U	yes
XPN-2624-FP-230	1	550	35	230	55	26.250 15U	no

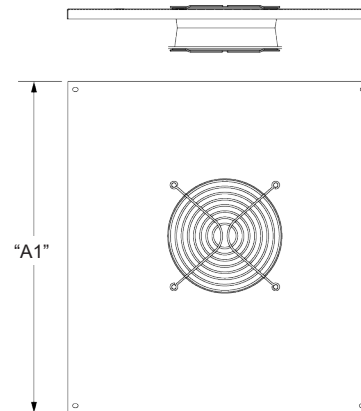
Air delivery based on operating at 60 HZ, single phase power.

30" EIA Width							
	# of Fans	CFM	Watts	Volts	dBa	"A1" Panel Depth	Plug
XPN-1724-FP	1	550	35	115	55	17.500 10U	yes
XPN-2124-FP	1	550	35	115	55	21.000 12U	yes
XPN-2224-FP	1	550	35	115	55	22.750 13U	yes
XPN-2624-FP	1	550	35	115	55	26.250 15U	no

Air delivery based on operating at 60 HZ, single phase power.



Note: When mounted as a top panel, the fan housing assembly extends into the frame opening by 2.06".



Note:
115 Volt includes a 6' power cord with molded 5-15P plug.
230 Volt has no plug.

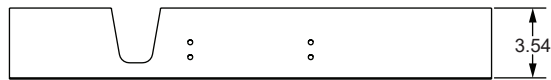
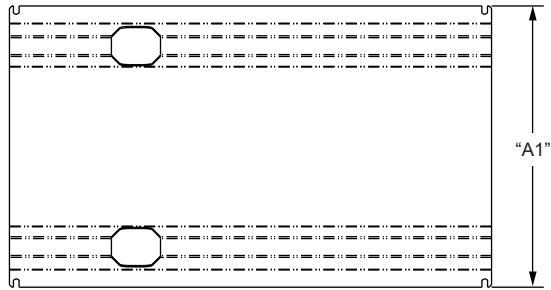
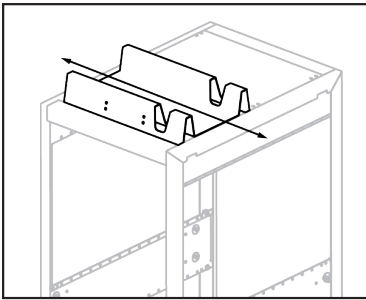
Overhead Cable Trays

Overhead Cable Tray

Allows cables to run left to right on top of a cabinet.

Accepts accessory styles A or C.

Use in conjunction with the appropriate filler panel to cover entire top opening.



Part Numbers

19" EIA Width	"A1" Tray Depth	
CMO-1419-LR	14.00	8U

24" EIA Width	"A1" Tray Depth	
CMO-1424-LR	14.00	8U

Lift Kits

The lift kit can be bolted into the top of any vertical frame at any time. The kit includes all necessary hardware.

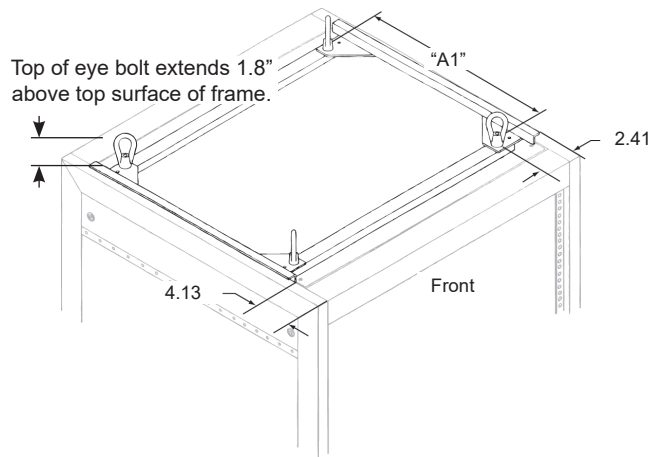
- Total load capacity including the frame is approximately 800 lbs. This rating assumes it is rigged for a straight up lift.

Part Numbers

19" EIA Width			
Solid	Perforated	"A1" Kit Depth	
SLA-1419	SLA-1419-PA	14.000	8U
SLA-1719	SLA-1719-PA	17.500	10U
SLA-2119	SLA-2119-PA	21.000	12U
SLA-2619	SLA-2619-PA	26.250	15U

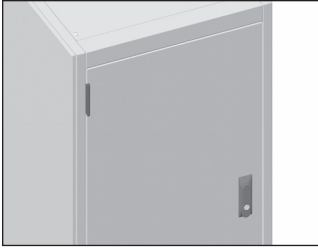
24" EIA Width			
Solid	Perforated	"A1" Kit Depth	
SLA-1424	SLA-1424-PA	14.000	8U
SLA-1724	SLA-1724-PA	17.500	10U
SLA-2124	SLA-2124-PA	21.000	12U
SLA-2624	SLA-2624-PA	26.250	15U

30" EIA Width			
Solid	Perforated	"A1" Kit Depth	
SLA-1430	SLA-1430-PA	14.000	8U
SLA-1730	SLA-1730-PA	17.500	10U
SLA-2130	SLA-2130-PA	21.000	12U
SLA-2630	SLA-2630-PA	26.250	15U



Lift Kit
 [Panel: 16-gauge steel]
 [Cross Bars: 18-gauge steel]

Flush Mount Doors



Flush Mount Doors

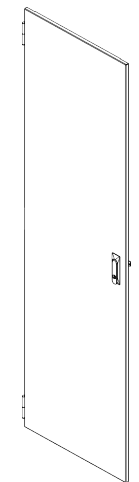
Flush mount doors fit into the vertical panel opening of the frame. The doors utilize the mounting rails for an attachment point. Lift-off hinges, in a stylish black finish, allow for quick removal. The low-profile single point lockable handle provides the security your system may need.

Note Flush doors mount to the front flange of the mounting rails and can fill all or portions of the usable space in the front or rear of a frame. Be aware of possible interference if other rack mount equipment that utilizes the front flange of the rail is used in conjunction with flush mount doors.

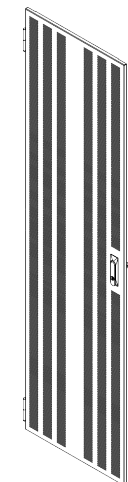
How to configure the door part number. Example: DF-HSL-7024

PREFIX	STYLE	HINGE SIDE	HEIGHT (FILLS THE OPENING)			WIDTH (EIA SPACING)
DF-H	<input type="checkbox"/> S (Solid)	<input type="checkbox"/> L (Left Hinge)	<input type="checkbox"/> -78 (45U)	<input type="checkbox"/> -47 (27U)	<input type="checkbox"/> -26 (15U)	<input type="checkbox"/> 30
	<input type="checkbox"/> V (Vented)	<input type="checkbox"/> R (Right Hinge)	<input type="checkbox"/> -73 (42U)	<input type="checkbox"/> -45 (26U)	<input type="checkbox"/> -24 (14U)	<input type="checkbox"/> 24
	<input type="checkbox"/> L (Louvered)		<input type="checkbox"/> -71 (41U)	<input type="checkbox"/> -43 (25U)	<input type="checkbox"/> -22 (13U)	<input type="checkbox"/> 19
			<input type="checkbox"/> -70 (40U)	<input type="checkbox"/> -42 (24U)	<input type="checkbox"/> -21 (12U)	
			<input type="checkbox"/> -64 (37U)	<input type="checkbox"/> -40 (23U)	<input type="checkbox"/> -19 (11U)	
			<input type="checkbox"/> -63 (36U)	<input type="checkbox"/> -38 (22U)	<input type="checkbox"/> -17 (10U)	
			<input type="checkbox"/> -61 (35U)	<input type="checkbox"/> -36 (21U)	<input type="checkbox"/> -15 (9U)	
			<input type="checkbox"/> -56 (32U)	<input type="checkbox"/> -35 (20U)	<input type="checkbox"/> -14 (8U)	
			<input type="checkbox"/> -54 (31U)	<input type="checkbox"/> -33 (19U)	<input type="checkbox"/> -12 (7U)	
			<input type="checkbox"/> -52 (30U)	<input type="checkbox"/> -31 (18U)	<input type="checkbox"/>	
			<input type="checkbox"/> -49 (28U)	<input type="checkbox"/> -28 (16U)	<input type="checkbox"/>	

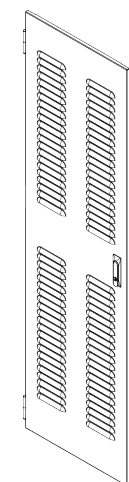
Door Styles Available



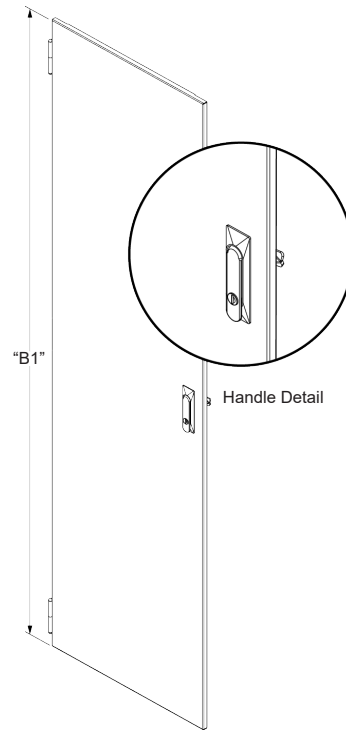
Solid



Vented



Louvered



Flush Doors
[16-gauge steel]

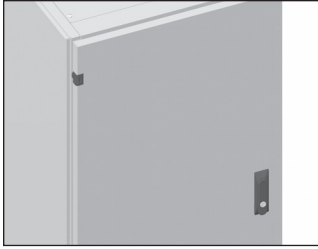
Part Numbers

19" EIA Width	24" EIA Width	30" EIA Width	"B1" # of Rack Units Used
<p>[1] Block Indicate: [S] = Solid [V] = Vented [L] = Louvered</p> <p>[2] Block Indicate: [R] = Right Hinge [L] = Left Hinge</p>	<p>[1] Block Indicate: [S] = Solid [V] = Vented [L] = Louvered</p> <p>[2] Block Indicate: [R] = Right Hinge [L] = Left Hinge</p>	<p>[1] Block Indicate: [S] = Solid [V] = Vented [L] = Louvered</p> <p>[2] Block Indicate: [R] = Right Hinge [L] = Left Hinge</p>	

Fills all, or portions of, the usable height in all frames.

DF-H[1][2]-1219	DF-H[1][2]-1224	DF-H[1][2]-1230	12.250	7U
DF-H[1][2]-1419	DF-H[1][2]-1424	DF-H[1][2]-1430	14.000	8U
DF-H[1][2]-1519	DF-H[1][2]-1524	DF-H[1][2]-1530	15.750	9U
DF-H[1][2]-1719	DF-H[1][2]-1724	DF-H[1][2]-1730	17.500	10U
DF-H[1][2]-1919	DF-H[1][2]-1924	DF-H[1][2]-1930	19.250	11U
DF-H[1][2]-2119	DF-H[1][2]-2124	DF-H[1][2]-2130	21.000	12U
DF-H[1][2]-2219	DF-H[1][2]-2224	DF-H[1][2]-2230	22.750	13U
DF-H[1][2]-2419	DF-H[1][2]-2424	DF-H[1][2]-2430	24.500	14U
DF-H[1][2]-2619	DF-H[1][2]-2624	DF-H[1][2]-2630	26.250	15U
DF-H[1][2]-2819	DF-H[1][2]-2824	DF-H[1][2]-2830	28.000	16U
DF-H[1][2]-3119	DF-H[1][2]-3124	DF-H[1][2]-3130	31.500	18U
DF-H[1][2]-3319	DF-H[1][2]-3324	DF-H[1][2]-3330	33.250	19U
DF-H[1][2]-3519	DF-H[1][2]-3524	DF-H[1][2]-3530	35.000	20U
DF-H[1][2]-3619	DF-H[1][2]-3624	DF-H[1][2]-3630	36.750	21U
DF-H[1][2]-3819	DF-H[1][2]-3824	DF-H[1][2]-3830	38.500	22U
DF-H[1][2]-4019	DF-H[1][2]-4024	DF-H[1][2]-4030	40.250	23U
DF-H[1][2]-4219	DF-H[1][2]-4224	DF-H[1][2]-4230	42.000	24U
DF-H[1][2]-4319	DF-H[1][2]-4324	DF-H[1][2]-4330	43.750	25U
DF-H[1][2]-4519	DF-H[1][2]-4524	DF-H[1][2]-4530	45.500	26U
DF-H[1][2]-4719	DF-H[1][2]-4724	DF-H[1][2]-4730	47.250	27U
DF-H[1][2]-4919	DF-H[1][2]-4924	DF-H[1][2]-4930	49.000	28U
DF-H[1][2]-5219	DF-H[1][2]-5224	DF-H[1][2]-5230	52.500	30U
DF-H[1][2]-5419	DF-H[1][2]-5424	DF-H[1][2]-5430	54.250	31U
DF-H[1][2]-5619	DF-H[1][2]-5624	DF-H[1][2]-5630	56.000	32U
DF-H[1][2]-6119	DF-H[1][2]-6124	DF-H[1][2]-6130	61.250	35U
DF-H[1][2]-6319	DF-H[1][2]-6324	DF-H[1][2]-6330	63.000	36U
DF-H[1][2]-6419	DF-H[1][2]-6424	DF-H[1][2]-6430	64.750	37U
DF-H[1][2]-7019	DF-H[1][2]-7024	DF-H[1][2]-7030	70.000	40U
DF-H[1][2]-7119	DF-H[1][2]-7124	DF-H[1][2]-7130	71.750	41U
DF-H[1][2]-7319	DF-H[1][2]-7324	DF-H[1][2]-7330	73.500	42U
DF-H[1][2]-7819	DF-H[1][2]-7824	DF-H[1][2]-7830	78.750	45U

Surface Mount Doors (Steel)



Surface Mount Doors

Surface mount doors cover the panel opening of the frame providing the space necessary to mount equipment and accessories behind the door panel. Available in four styles, the doors feature a low-profile lockable single point latch handle and stylized black hinges that allow for 120° of rotation. When mounted, these doors add 1.00" to the overall depth.

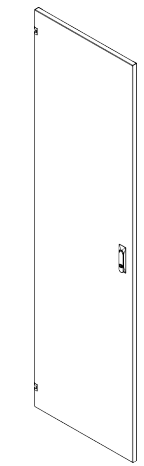
Note The frame must be drilled to accept surface doors, therefore door mounting location must be supplied at the time of order placement.

How to configure the door part number. Example: DS-EPR-6119

PREFIX	STYLE	HINGE SIDE	HEIGHT (COVERS THE OPENING)		WIDTH (EIA SPACING)
DS-E	<input type="checkbox"/> S (Solid)	<input type="checkbox"/> L (Left Hinge)	<input type="checkbox"/> -78 (45U)	<input type="checkbox"/> -38 (22U)	<input type="checkbox"/> 30
	<input type="checkbox"/> V (Vented)	<input type="checkbox"/> R (Right Hinge)	<input type="checkbox"/> -70 (40U)	<input type="checkbox"/> -35 (20U)	<input type="checkbox"/> 24
	<input type="checkbox"/> L (Louvered)		<input type="checkbox"/> -61 (35U)	<input type="checkbox"/> -28 (16U)	<input type="checkbox"/> 19
	<input type="checkbox"/> P (Perforated)		<input type="checkbox"/> -52 (30U)	<input type="checkbox"/> -27 (16U)*	
			<input type="checkbox"/> -49 (28U)	<input type="checkbox"/> -24 (14U)	
			<input type="checkbox"/> -43 (25U)	<input type="checkbox"/> -21 (12U)	
			<input type="checkbox"/> -42 (24U)	<input type="checkbox"/> -20 (12U)*	
			<input type="checkbox"/> -40 (23U)	<input type="checkbox"/>	

*Heights designed to be 1" short at the top so as to swing clear when mounted under a work surface.

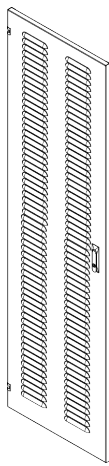
Door Styles Available



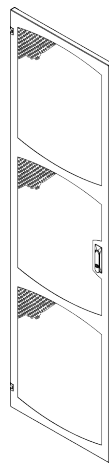
Solid



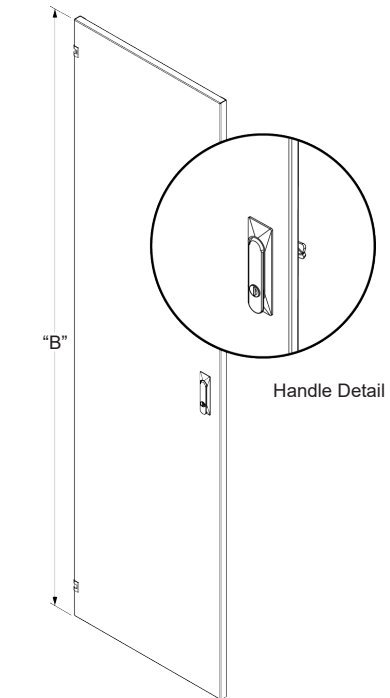
Vented



Louvered



Perforated



Handle Detail

Surface Doors
[16-gauge steel]

Part Numbers

19" EIA Width	24" EIA Width	30" EIA Width	"B" Overall Height	Covers opening in frames w/ this usable height
<p>[1] Block Indicate: [S] = Solid [V] = Vented [L] = Louvered [P] = Perforated</p> <p>[2] Block Indicate: [R] = Right Hinge [L] = Left Hinge</p> <p>Note: P only available in 20U - 45U sizes.</p>	<p>[1] Block Indicate: [S] = Solid [V] = Vented [L] = Louvered [P] = Perforated</p> <p>[2] Block Indicate: [R] = Right Hinge [L] = Left Hinge</p> <p>Note: P only available in 20U - 45U sizes.</p>	<p>[1] Block Indicate: [S] = Solid [V] = Vented [L] = Louvered [P] = Perforated</p> <p>[2] Block Indicate: [R] = Right Hinge [L] = Left Hinge</p> <p>Note: P only available in 20U - 45U sizes.</p>		

Covers the entire opening on 12U "Desk Height" & 16U "Counter Height" Frames with work Surface Provisions

DS-E[1][2]-2019*	DS-E[1][2]-2024*	DS-E[1][2]-2030*	22.406	covers 12U
DS-E[1][2]-2719*	DS-E[1][2]-2724*	DS-E[1][2]-2730*	29.406	covers 16U

Covers the entire opening on Vertical frames.

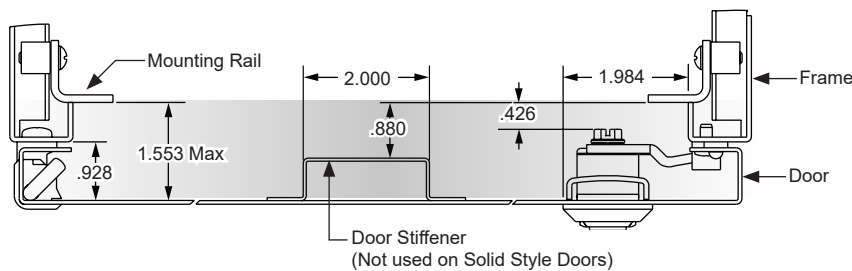
DS-E[1][2]-2119	DS-E[1][2]-2124	DS-E[1][2]-2130	23.469	covers 12U
DS-E[1][2]-2819	DS-E[1][2]-2824	DS-E[1][2]-2830	30.496	covers 16U
DS-E[1][2]-3519	DS-E[1][2]-3524	DS-E[1][2]-3530	38.375	covers 20U
DS-E[1][2]-4019	DS-E[1][2]-4024	DS-E[1][2]-4030	43.625	covers 23U
DS-E[1][2]-4319	DS-E[1][2]-4324	DS-E[1][2]-4330	47.125	covers 25U
DS-E[1][2]-5219	DS-E[1][2]-5224	DS-E[1][2]-5230	55.875	covers 30U
DS-E[1][2]-6119	DS-E[1][2]-6124	DS-E[1][2]-6130	64.625	covers 35U
DS-E[1][2]-7019	DS-E[1][2]-7024	DS-E[1][2]-7030	73.375	covers 40U
DS-E[1][2]-7819	DS-E[1][2]-7824	DS-E[1][2]-7830	82.125	covers 45U

Covers the entire opening on Slope Front frames.

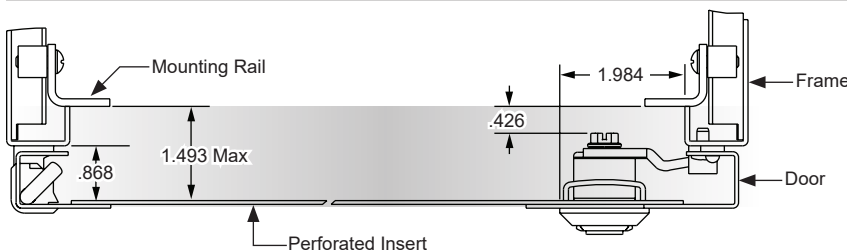
DS-E[1][2]-2419 (front)	DS-E[1][2]-2424 (front)	DS-E[1][2]-2430 (front)	26.969	covers 14U
DS-E[1][2]-2819 (front)	DS-E[1][2]-2824 (front)	DS-E[1][2]-2830 (front)	30.496	covers 16U
DS-E[1][2]-3819 (rear)	DS-E[1][2]-3824 (rear)	DS-E[1][2]-3830 (rear)	41.875	covers 22U
DS-E[1][2]-4219 (rear)	DS-E[1][2]-4224 (rear)	DS-E[1][2]-4230 (rear)	45.375	covers 24U
DS-E[1][2]-4919 (rear)	DS-E[1][2]-4924 (rear)	DS-E[1][2]-4930 (rear)	52.375	covers 28U

*Heights designed to be 1" short at the top so as to swing clear when mounted under a work surface.

Solid, Vented, Louvered Section View



Perforated Section View



Surface Mount Doors (Aluminum Framed Window)

Aluminum Framed Window Doors

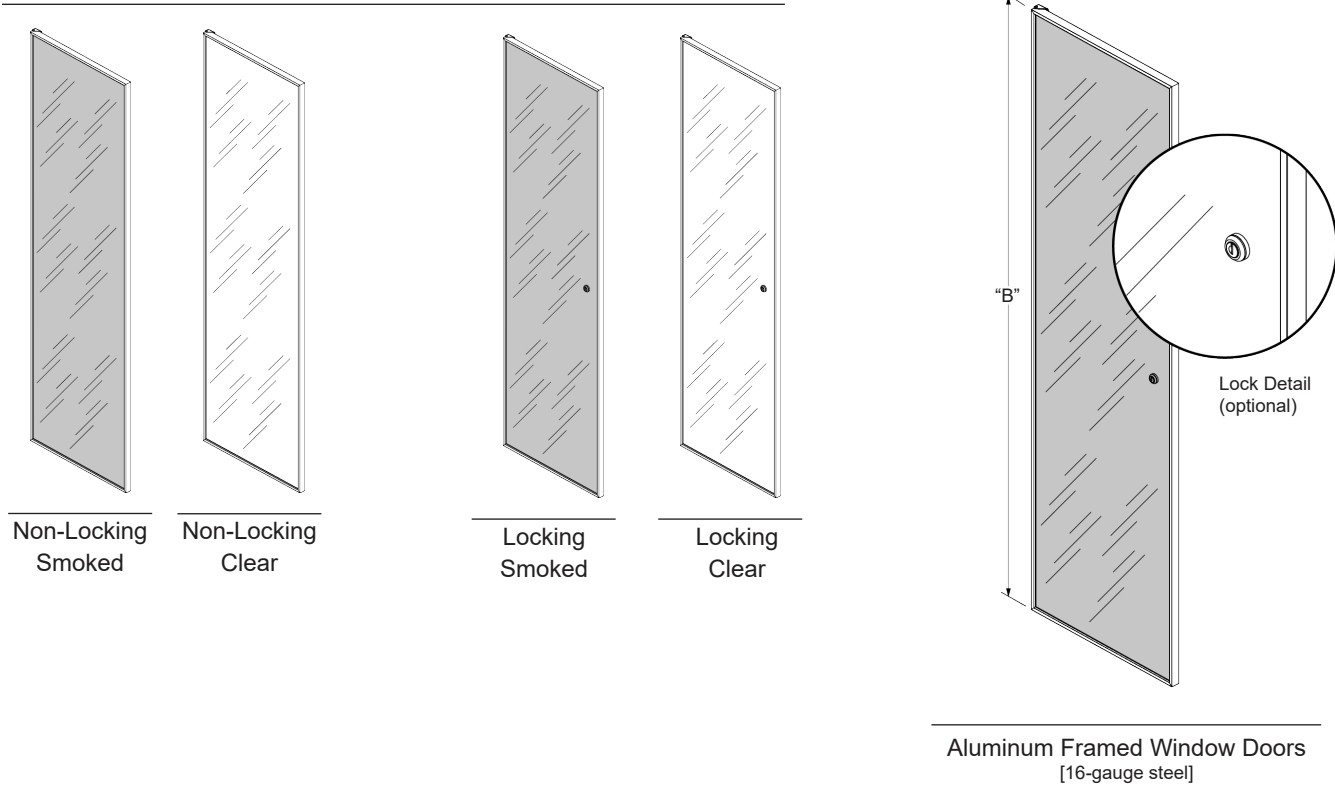
Window doors allow visibility of indicator lights and other operating equipment. The clear anodized aluminum extruded frame is supplied with an 1/8" thick tinted (smoked) plexiglass window panel and a magnetic latching system. The doors are available in either locking or non-locking versions. When mounted, these doors add 1.28" to the overall depth.

Note The frame must be drilled to accept surface doors, therefore door mounting location must be supplied at the time of order placement.

How to configure the door part number. Example: WDA-5224-LH

PREFIX	HEIGHT (COVERS THE OPENING)		WIDTH (EIA SPACING)	HINGE SIDE	SUFFIX	WINDOW COLOR
WDA	<input type="checkbox"/> -78 (45U)	<input type="checkbox"/> -40 (23U)	<input type="checkbox"/> 24	<input type="checkbox"/> -LH (Left Hinge)	<input type="checkbox"/> Blank (Non-Locking)	<input type="checkbox"/> Blank (Smoked)
	<input type="checkbox"/> -70 (40U)	<input type="checkbox"/> -35 (20U)	<input type="checkbox"/> 19	<input type="checkbox"/> -RH (Right Hinge)	<input type="checkbox"/> -LK (Locking)	<input type="checkbox"/> -WC (Clear)
	<input type="checkbox"/> -61 (35U)	<input type="checkbox"/> -28 (16U)				
	<input type="checkbox"/> -52 (30U)	<input type="checkbox"/> -21 (12U)				
	<input type="checkbox"/> -43 (25U)	<input type="checkbox"/>				

Door Styles Available



Surface Mount Doors (Aluminum Framed Window)

Part Numbers

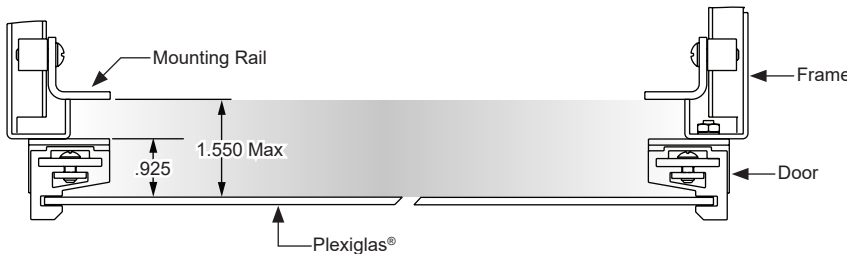
19" EIA Width	24" EIA Width		
<p>[1] Block Indicate: [-LH] = Left Hinge [-RH] = Right Hinge</p> <p>[2] Block Indicate: Blank = Non Locking [-LK] = Locking</p> <p>[3] Block Indicate: [blank] = Window w/ Smoked Plexiglas® [-WC] = Window w/ Clear Plexiglas®</p>	<p>[1] Block Indicate: [-LH] = Left Hinge [-RH] = Right Hinge</p> <p>[2] Block Indicate: Blank = Non Locking [-LK] = Locking</p> <p>[3] Block Indicate: [blank] = Window w/ Smoked Plexiglas® [-WC] = Window w/ Clear Plexiglas®</p>	"B" Overall Height	Covers opening in frames w/ this usable height

Covers the entire opening on Vertical frames.

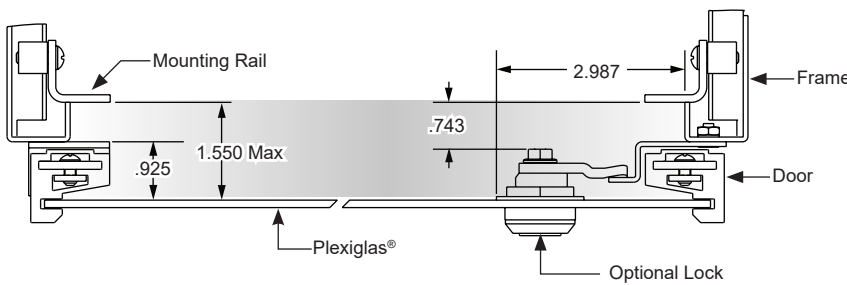
WDA-2119A[1][2][3]	WDA-2124A[1][2][3]	25.125	covers 12U
WDA-2819A[1][2][3]	WDA-2824A[1][2][3]	32.125	covers 16U
WDA-3519A[1][2][3]	WDA-3524A[1][2][3]	37.750	covers 20U
WDA-4019A[1][2][3]	WDA-4024A[1][2][3]	43.000	covers 23U
WDA-4319A[1][2][3]	WDA-4324A[1][2][3]	46.500	covers 25U
WDA-5219A[1][2][3]	WDA-5224A[1][2][3]	55.250	covers 30U
WDA-6119A[1][2][3]	WDA-6124A[1][2][3]	64.000	covers 35U
WDA-7019A[1][2][3]	WDA-7024A[1][2][3]	72.750	covers 40U
WDA-7819A[1][2][3]	WDA-7824A[1][2][3]	81.500	covers 45U

Not available for Frames with Work Surface Provisions or for Slope Front frames.

Non-Locking Section View



Locking Section View



Side Panels

Side Panels

Formed Inside Removable These side panels are for those applications where side access is limited and permanent fastening is needed. Choose from solid or louvered styles.

Formed Outside Removable These side panels offer lift off flexibility for those requirements where side access is desired. No tools are required. Simply lift up and off. These side panels are supplied with shipping screws to secure the side panels in place during transit.

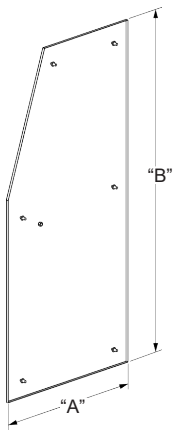
Flat Inside Removable These side panels are for those applications where side access is limited and an internal mechanical fastening is needed. This side panel is commonly used when space constraints exist.

Slope Front Frame Style Part Numbers

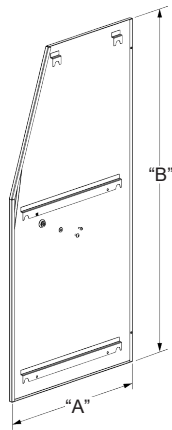
Formed Inside Removable Solid		"A" Overall Depth	"B" Overall Height	Use w/ Frames w/ this Overall Base Depth	Use w/ Frames w/ this Usable Rear Height
Left	Right				
SSP-2210-SI-LH	SSP-2210-SI-RH	21.812	43.750	22.000	38.500 22U
SSP-2510-SI-LH	SSP-2510-SI-RH	25.312	43.750	25.500	38.500 22U
SSP-2217-SI-LH	SSP-2217-SI-RH	21.812	46.859	22.000	42.000 24U
SSP-2517-SI-LH	SSP-2517-SI-RH	25.312	46.859	25.500	42.000 24U
SSP-3017-SI-LH	SSP-3017-SI-RH	30.562	46.859	30.750	42.000 24U
SSP-2224-SI-LH	SSP-2224-SI-RH	21.812	53.484	22.000	49.000 28U
SSP-2524-SI-LH	SSP-2524-SI-RH	25.312	53.484	25.500	49.000 28U
SSP-3024-SI-LH	SSP-3024-SI-RH	30.562	53.484	30.750	49.000 28U

Slope Front Frame Style Part Numbers Continued

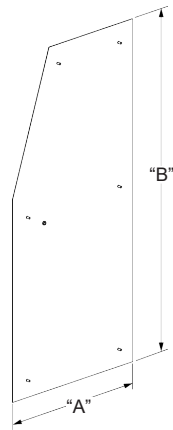
Formed Outside Removable Solid		Flat Inside Removable Solid		"A" Overall Depth	"B" Overall Height	Use w/ Frames w/ this Overall Base Depth	Use w/ Frames w/ this Usable Rear Height
Left	Right	Left	Right				
SSP-2210-S-LH	SSP-2210-S-RH	SSP-2210-FL-LH	SSP-2210-FL-RH	21.812	43.750	22.000	38.500 22U
SSP-2510-S-LH	SSP-2510-S-RH	SSP-2510-FL-LH	SSP-2510-FL-RH	25.312	43.750	25.500	38.500 22U
SSP-2217-S-LH	SSP-2217-S-RH	SSP-2217-FL-LH	SSP-2217-FL-RH	21.812	46.859	22.000	42.000 24U
SSP-2517-S-LH	SSP-2517-S-RH	SSP-2517-FL-LH	SSP-2517-FL-RH	25.312	46.859	25.500	42.000 24U
SSP-3017-S-LH	SSP-3017-S-RH	SSP-3017-FL-LH	SSP-3017-FL-RH	30.562	46.859	30.750	42.000 24U
SSP-2224-S-LH	SSP-2224-S-RH	SSP-2224-FL-LH	SSP-2224-FL-RH	21.812	53.484	22.000	49.000 28U
SSP-2524-S-LH	SSP-2524-S-RH	SSP-2524-FL-LH	SSP-2524-FL-RH	25.312	53.484	25.500	49.000 28U
SSP-3024-S-LH	SSP-3024-S-RH	SSP-3024-FL-LH	SSP-3024-FL-RH	30.562	53.484	30.750	49.000 28U



Formed Inside Removable Solid
[Adds .375" per side to width]



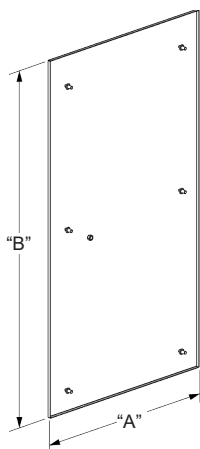
Formed Outside Removable Solid
[Adds .500" per side to width]



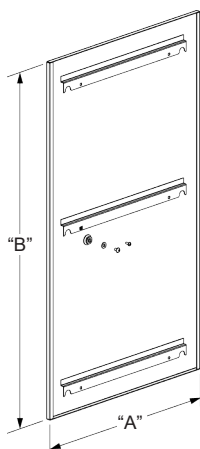
Flat Inside Removable Solid
[Adds .062" per side to width]

Vertical and -WT Style Frame Part Numbers

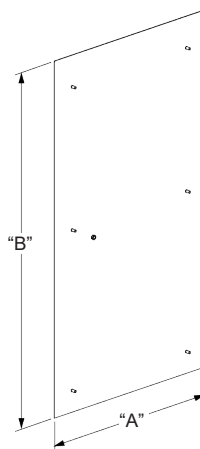
Formed Inside Removable Solid	Formed Outside Removable Solid	Flat Inside Removable Solid	"A" Overall Depth	"B" Overall Height	Use w/ Frames w/ this Overall Depth	Use w/ Frames w/ this Usable Height
SSP-1821-SI	SSP-1821-S	SSP-1821-FL	18.250	26.375	18.500	21.000 12U
SSP-2221-SI	SSP-2221-S	SSP-2221-FL	21.750	26.375	22.000	21.000 12U
SSP-2521-SI	SSP-2521-S	SSP-2521-FL	25.125	26.375	25.500	21.000 12U
SSP-3021-SI	SSP-3021-S	SSP-3021-FL	30.375	26.375	30.750	21.000 12U
SSP-1828-SI	SSP-1828-S	SSP-1828-FL	18.250	33.375	18.500	28.000 16U
SSP-2228-SI	SSP-2228-S	SSP-2228-FL	21.750	33.375	22.000	28.000 16U
SSP-2528-SI	SSP-2528-S	SSP-2528-FL	25.125	33.375	25.500	28.000 16U
SSP-3028-SI	SSP-3028-S	SSP-3028-FL	30.375	33.375	30.750	28.000 16U
SSP-2235-SI	SSP-2235-S	SSP-2235-FL	21.750	38.937	22.000	35.000 20U
SSP-2535-SI	SSP-2535-S	SSP-2535-FL	25.125	38.937	25.500	35.000 20U
SSP-2240-SI	SSP-2240-S	SSP-2240-FL	21.750	44.187	22.000	40.250 23U
SSP-2540-SI	SSP-2540-S	SSP-2540-FL	25.125	44.187	25.500	40.250 23U
SSP-2243-SI	SSP-2243-S	SSP-2243-FL	21.750	47.684	22.000	43.750 25U
SSP-2543-SI	SSP-2543-S	SSP-2543-FL	25.125	47.684	25.500	43.750 25U
SSP-3043-SI	SSP-3043-S	SSP-3043-FL	30.375	47.684	30.750	43.750 25U
SSP-2252-SI	SSP-2252-S	SSP-2252-FL	21.750	56.437	22.000	52.500 30U
SSP-2552-SI	SSP-2552-S	SSP-2552-FL	25.125	56.437	25.500	52.500 30U
SSP-3052-SI	SSP-3052-S	SSP-3052-FL	30.375	56.437	30.750	52.500 30U
SSP-2261-SI	SSP-2261-S	SSP-2261-FL	21.750	65.187	22.000	61.250 35U
SSP-2561-SI	SSP-2561-S	SSP-2561-FL	25.125	65.187	25.500	61.250 35U
SSP-3061-SI	SSP-3061-S	SSP-3061-FL	30.375	65.187	30.750	61.250 35U
SSP-2270-SI	SSP-2270-S	SSP-2270-FL	21.750	73.937	22.000	70.000 40U
SSP-2570-SI	SSP-2570-S	SSP-2570-FL	25.125	73.937	25.500	70.000 40U
SSP-3070-SI	SSP-3070-S	SSP-3070-FL	30.375	73.937	30.750	70.000 40U
SSP-2278-SI	SSP-2278-S	SSP-2278-FL	21.750	82.687	22.000	78.750 45U
SSP-2578-SI	SSP-2578-S	SSP-2578-FL	25.125	82.687	25.500	78.750 45U
SSP-3078-SI	SSP-3078-S	SSP-3078-FL	30.375	82.687	30.750	78.750 45U



**Formed
Inside Removable
Solid**
[Adds .375" per side to width]



**Formed
Outside Removable
Solid**
[Adds .500" per side to width]



**Flat
Inside Removable
Solid**
[Adds .062" per side to width]

Work Surface Hardware

Work Surface Support Hardware

The following hardware is supplied with all work surfaces. These parts do not need to be ordered separately unless there is a unique application that requires you do so. The Top Adapter Panel requires a color choice while the balance of the support hardware is provided in a black finish.

These parts fit together in the following manner:

- The Top Mounting Brackets are bolted securely to the inside legs of the mounting rails directly behind the work surface.
- The Top Mounting Brackets support the work surface by holding the Top Bar Supports which are fastened to the One-piece Top Angle mounted to the underside of the work surface.

Note

If protection is required around the cable access cutout in the top adapter panel, grommet material can be ordered as an optional item under part number GMT-0012. Each cutout requires 1' of material. (Sold by the foot)

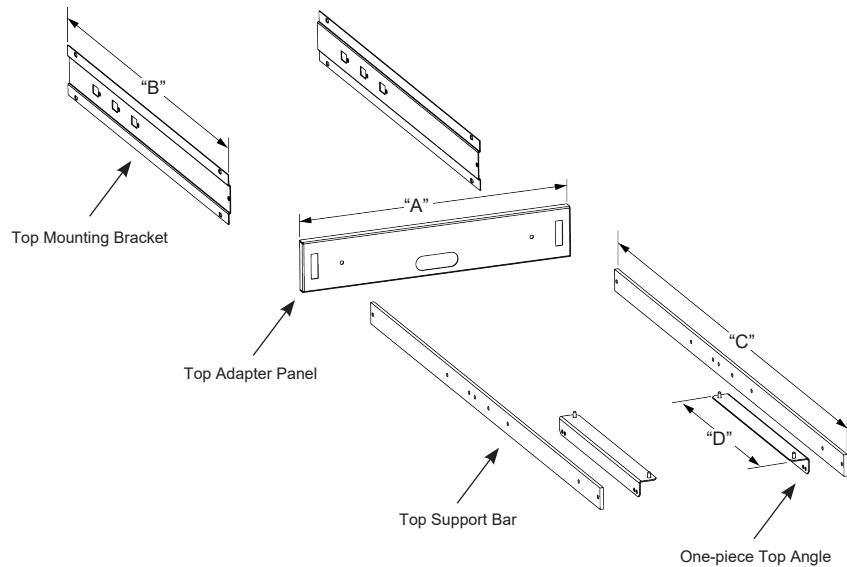
Part Numbers









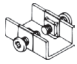



Adapter Panel "A"	Use in Frames with this Overall Width	Sold As
TAPN-60	21.062	Each
TAPN-60-24	26.062	Each
TAPN-60-30	32.062	Each

Bracket "B"	Overall Depth	Sold As
TMB-18A	16.688	Pair
TMB-22A	20.188	Pair
TMB-25A	23.688	Pair
TMB-31A	28.938	Pair

Support Bar "C"	Overall Depth	Sold As
TBS-1815	25.875	Pair
TBS-1822	28.250	Pair

Angle "D"	Overall Depth	Sold As
OPTA-15A	9.594	Each
OPTA-18A	14.500	Each



		Part Numbers	Description	Where Used
Mounting Panels, Electronics and Other Equipment		HW-092 (AHWX-092-003219)	#10-32 Clip Nut	Use when mounting 5/8" or 1/8" thick filler/closure panels or other rack-mountable equipment/electronics to thru hole mounting rails. Use with HW-103, HW-104, HW-303 or HW-304 panel screws.
		HW-104	#10-32 x .500" Panel Screw	Used when mounting 1/8" thick filler/closure panels or other rack-mountable equipment/electronics to tapped mounting rails or in conjunction with clip nut HW-092 on thru-hole rails. Comes with polyethylene washer.
		HW-304	#10-32 x .500" Panel Screw - Black	Used when mounting 1/8" thick filler/closure panels or other rack-mountable equipment/electronics to tapped mounting rails or in conjunction with clip nut HW-092 on thru-hole rails. Comes with polyethylene washer.
		HW-103	#10-32 x 1.125" Panel Screw	Used for mounting 5/8" formed filler/closure panels or other rack-mountable equipment/electronics to tapped mounting rails or in conjunction with clip nut HW-092 on thru-hole rails. Comes with polyethylene washer.
		HW-303	#10-32 x 1.125" Panel Screw - Black	Used for mounting 5/8" formed filler/closure panels or other rack-mountable equipment/electronics to tapped mounting rails or in conjunction with clip nut HW-092 on thru-hole rails. Comes with polyethylene washer.
		HW-110	#10 self-tapping screw "A" threads.	Used for mounting laminated filler/closure panels.
	HW-1032	#10-32 Panel Stand-off	Used for mounting 1/8" thick filler/closure panels to bring them flush with front of frame. Use with HW-154 keps nut and HW-104 or HW-304 panel screws.	
Joining Frames		HW-161	5/16-18 x 3/4" Hex Head Screw	Used for joining vertical and slope front frames together side by side. Use with HW-162 flat washer and HW-163 keps nut.
		HW-150	1/4-20 x 3/4" Hex Head Screw	Used for joining turret frames together side by side. Use with HW-152 flat washer and AHWX-102-002025 keps nut.
		HW-162	5/16 Flat Washer	Used for joining vertical and slope front frames together side by side. Use with HW-161 hex head screw and HW-163 keps nut.
		HW-152	1/4 Flat Washer	Used for joining turret frames together side by side. Use with HW-150 hex head screw and AHWX-102-002025 keps nut.
		HW-163	5/16-18 Keps Nut	Used for joining vertical and slope front frames together side by side. Use with HW-161 hex head screw and HW-162 flat washer.
		AHWX-102-002025	1/4-20 Keps Nut	Used for joining turret frames together side by side. Use with HW-150 hex head screw and HW-152 flat washer.
		HW-154	#10-32 Keps Nut	Used for mounting 1/8" thick filler/closure panels to bring them flush with front of frame. Use with HW-1032 panel stand-off and HW-104 or HW-304 panel screws.
	AJCX-HDX-000100	Joining Kit	Sold in pairs. Used to bolt turret frames to a vertical or slope front frames. Kit consists of Joining Clip, Clip Nut and Screw.	
Lift Kits		AHWX-272-161637	3/8-16 Lift Eye	Part of the lift kit assembly. Use with AHWX-510-000037 lock washer and AHWX-022-201637 hex head screw.
		AHWX-510-000037	3/8 Lock Washer	Part of the lift kit assembly. Use with AHWX-272-161637 lift eye nut and AHWX-022-201637 hex head screw.
		AHWX-022-201637	3/8-16 x 1-1/4" Hex Head Screw	Part of the lift kit assembly. Use with AHWX-272-161637 lift eye nut and AHWX-510-000037 lock washer.

Ordering Guide

How to Order

Emcor Enclosures are configured to order, meaning each component of the enclosure is ordered separately. This process allows the most versatility in the final appearance and function of the enclosure or console. Simply follow the steps listed below.

1 DETERMINE THE FRAME PART NUMBER

Because the basic building block is the frame it will be your first selection.

2 REVIEW THE ORDERING GUIDE

Once you have selected a frame part number, locate it in the ordering guide. Note that the ordering guide is organized so that compatible accessories are listed to the right of the frame part numbers.

3 ISSUE ORDERS TO

All correspondence and PO's should be addressed to:

Emcor Enclosures
2900 37th St. NW, Bldg 003
Rochester, MN 55901

Submit the Purchase Order (PO) to the Sales Representative indicated on the quote.
Be sure to include a copy of the quote.

Ordering Guide - Vertical and Slope Front Frames

Frame Options	Full Height Mounting Rail Options		
	Mounting Rails	Mounting Straps	Square Hole/Dell® Rails
	<p>[1] Block Indicate: [blank] = Round/Round [-T] = Tapped/Round [-T2] = Tapped/Tapped</p> <p>Note: Mounting rails are sold as pairs.</p>	<p>Note: Mounting straps are sold as pairs.</p> <p>Note: Front flange mount accessories, are not compatible with mounting straps.</p>	<p>Note: Mounting rails are sold as pairs.</p> <p>Note: Side flange mount accessories, such as chassis guides and drawers, are not compatible with these rails.</p>

Vertical Frames 12U 16U 20U 23U 25U 30U 35U 40U 45U	Front or Rear	Intermediate	Front or Rear
SFR-182119	PMA-21A[1]	MS-21	DPMA-21
SFR-222119	PMA-21A[1]	MS-21	DPMA-21
SFR-252119	PMA-21A[1]	MS-21	DPMA-21
SFR-302119	PMA-21A[1]	MS-21	DPMA-21
SFR-182819	PMA-28A[1]	MS-28	DPMA-28
SFR-222819	PMA-28A[1]	MS-28	DPMA-28
SFR-252819	PMA-28A[1]	MS-28	DPMA-28
SFR-302819	PMA-28A[1]	MS-28	DPMA-28
SFR-223519	PMA-35A[1]	MS-35	DPMA-35
SFR-253519	PMA-35A[1]	MS-35	DPMA-35
SFR-224019	PMA-40A[1]	MS-40	DPMA-40
SFR-254019	PMA-40A[1]	MS-40	DPMA-40
SFR-224319	PMA-43A[1]	MS-43	DPMA-43
SFR-254319	PMA-43A[1]	MS-43	DPMA-43
SFR-304319	PMA-43A[1]	MS-43	DPMA-43
SFR-225219	PMA-52A[1]	MS-52	DPMA-52
SFR-255219	PMA-52A[1]	MS-52	DPMA-52
SFR-305219	PMA-52A[1]	MS-52	DPMA-52
SFR-226119	PMA-61A[1]	MS-61	DPMA-61
SFR-256119	PMA-61A[1]	MS-61	DPMA-61
SFR-306119	PMA-61A[1]	MS-61	DPMA-61
SFR-227019	PMA-70A[1]	MS-70	DPMA-70
SFR-257019	PMA-70A[1]	MS-70	DPMA-70
SFR-307019	PMA-70A[1]	MS-70	DPMA-70
SFR-227819	PMA-78A[1]	MS-78	DPMA-78
SFR-257819	PMA-78A[1]	MS-78	DPMA-78
SFR-307819	PMA-78A[1]	MS-78	DPMA-78

Vertical Frames - Work Surface Provisions 12U "Desk Height" 16U "Counter Height"	Front or Rear	Intermediate	Front or Rear
SFR-182119-WT	PMA-21A[1]	MS-21	DPMA-21
SFR-222119-WT	PMA-21A[1]	MS-21	DPMA-21
SFR-252119-WT	PMA-21A[1]	MS-21	DPMA-21
SFR-302119-WT	PMA-21A[1]	MS-21	DPMA-21
SFR-182819-WT	PMA-28A[1]	MS-28	DPMA-28
SFR-222819-WT	PMA-28A[1]	MS-28	DPMA-28
SFR-252819-WT	PMA-28A[1]	MS-28	DPMA-28
SFR-302819-WT	PMA-28A[1]	MS-28	DPMA-28

Slope Front Frames 6U 10U 14U Slope Openings	Front	Rear	Intermediate	Front	Rear
SFRS-221019*	PMA-28[1]	PMA-38[1]	MS-28 (front) MS-38 (rear)	contact factory	contact factory
SFRS-251019*	PMA-28[1]	PMA-38[1]	MS-28 (front) MS-38 (rear)	contact factory	contact factory
SFRS-221719	PMA-24[1]	PMA-42[1]	MS-24 (front) MS-42 (rear)	contact factory	contact factory
SFRS-251719	PMA-24[1]	PMA-42[1]	MS-24 (front) MS-42 (rear)	contact factory	contact factory
SFRS-301719*	PMA-24[1]	PMA-42[1]	MS-24 (front) MS-42 (rear)	contact factory	contact factory
SFRS-222419	PMA-24[1]	PMA-49[1]	MS-24 (front) MS-49 (rear)	contact factory	contact factory
SFRS-252419	PMA-24[1]	PMA-49[1]	MS-24 (front) MS-49 (rear)	contact factory	contact factory
SFRS-302419*	PMA-24[1]	PMA-49[1]	MS-24 (front) MS-49 (rear)	contact factory	contact factory

For 24" EIA width, change "19" to "24" in part number.
(i.e. SFRS-252419 becomes SFRS-252424)

Part number valid for 24" EIA width.

Part number valid for 24" EIA width.

Part number valid for 24" EIA width.

For 30" EIA width, change "19" to "30" in part number.
(i.e. SFRS-252419 becomes SFRS-252430)

*Contact the factory for 30" EIA Width's

Part number valid for 30" EIA width.

Part number valid for 30" EIA width.

Part number valid for 30" EIA width.

Ordering Guide - Vertical and Slope Front Frames

Frame Options	Side Panel Options
---------------	--------------------

Panels

[1] Block Indicate:

[-SI] = Formed Inside Removable Solid
 [-S] = Formed Outside Removable Solid
 [-FL] = Flat Inside Removable Solid

[2] Block Indicate:

[-LH] = Left Side Panel
 [-RH] = Right Side Panel

Vertical Frames 12U 16U 20U 23U 25U 30U 35U 40U 45U	Left or Right
SFR-182119	SSP-1821[1]
SFR-222119	SSP-2221[1]
SFR-252119	SSP-2521[1]
SFR-302119	SSP-3021[1]
SFR-182819	SSP-1828[1]
SFR-222819	SSP-2228[1]
SFR-252819	SSP-2528[1]
SFR-302819	SSP-3028[1]
SFR-223519	SSP-2235[1]
SFR-253519	SSP-2535[1]
SFR-224019	SSP-2240[1]
SFR-254019	SSP-2540[1]
SFR-224319	SSP-2243[1]
SFR-254319	SSP-2543[1]
SFR-304319	SSP-3043[1]
SFR-225219	SSP-2252[1]
SFR-255219	SSP-2552[1]
SFR-305219	SSP-3052[1]
SFR-226119	SSP-2261[1]
SFR-256119	SSP-2561[1]
SFR-306119	SSP-3061[1]
SFR-227019	SSP-2270[1]
SFR-257019	SSP-2570[1]
SFR-307019	SSP-3070[1]
SFR-227819	SSP-2278[1]
SFR-257819	SSP-2578[1]
SFR-307819	SSP-3078[1]

Vertical Frames - Work Surface Provisions 12U "Desk Height" 16U "Counter Height"	Left or Right
SFR-182119-WT	SSP-1821[1]
SFR-222119-WT	SSP-2221[1]
SFR-252119-WT	SSP-2521[1]
SFR-302119-WT	SSP-3021[1]
SFR-182819-WT	SSP-1828[1]
SFR-222819-WT	SSP-2228[1]
SFR-252819-WT	SSP-2528[1]
SFR-302819-WT	SSP-3028[1]

Slope Front Frames 6U 10U 14U Slope Openings	Left or Right
SFRS-221019*	SSP-2210[1][2]
SFRS-251019*	SSP-2510[1][2]
SFRS-221719	SSP-2217[1][2]
SFRS-251719	SSP-2517[1][2]
SFRS-301719*	SSP-3017[1][2]
SFRS-222419	SSP-2224[1][2]
SFRS-252419	SSP-2524[1][2]
SFRS-302419*	SSP-3024[1][2]

For 24" EIA width, change "19" to "24" in part number.
 (i.e. SFRS-252419 becomes SFRS-252424)

Part number valid for 24" EIA width.

For 30" EIA width, change "19" to "30" in part number.
 (i.e. SFRS-252419 becomes SFRS-252430)

Part number valid for 30" EIA width.

*Contact the factory for 30" EIA Width's

Ordering Guide - Vertical and Slope Front Frames

Frame Options	Full Height Door Options		
	Flush Doors	Surface Doors	Window Doors
	<p>[1] Block Indicate: [S] = Solid [V] = Vented [L] = Louvered</p> <p>[2] Block Indicate: [R] = Right Hinge [L] = Left Hinge</p>	<p>[1] Block Indicate: [S] = Solid [V] = Vented [L] = Louvered [P] = Perforated</p> <p>[2] Block Indicate: [R] = Right Hinge [L] = Left Hinge</p> <p>Note: -P only available in 20U - 45U sizes.</p>	<p>[1] Block Indicate: [-LH] = Left Hinge [-RH] = Right Hinge</p> <p>[2] Block Indicate: Blank = Non Locking [-LK] = Locking</p> <p>[3] Block Indicate: [blank] = Window w/ Smoked Plexiglas® [-WC] = Window w/ Clear Plexiglas®</p>

Vertical Frames 12U 16U 20U 23U 25U 30U 35U 40U 45U	Front or Rear	Front or Rear	Front or Rear
SFR-182119	DF-H[1][2]-2119	DS-E[1][2]-2119	WDA-2119A-[1][2][3]
SFR-222119	DF-H[1][2]-2119	DS-E[1][2]-2119	WDA-2119A-[1][2][3]
SFR-252119	DF-H[1][2]-2119	DS-E[1][2]-2119	WDA-2119A-[1][2][3]
SFR-302119	DF-H[1][2]-2119	DS-E[1][2]-2119	WDA-2119A-[1][2][3]
SFR-182819	DF-H[1][2]-2819	DS-E[1][2]-2819	WDA-2819A-[1][2][3]
SFR-222819	DF-H[1][2]-2819	DS-E[1][2]-2819	WDA-2819A-[1][2][3]
SFR-252819	DF-H[1][2]-2819	DS-E[1][2]-2819	WDA-2819A-[1][2][3]
SFR-302819	DF-H[1][2]-2819	DS-E[1][2]-2819	WDA-2819A-[1][2][3]
SFR-223519	DF-H[1][2]-3519	DS-E[1][2]-3519	WDA-3519A-[1][2][3]
SFR-253519	DF-H[1][2]-3519	DS-E[1][2]-3519	WDA-3519A-[1][2][3]
SFR-224019	DF-H[1][2]-4019	DS-E[1][2]-4019	WDA-4019A-[1][2][3]
SFR-254019	DF-H[1][2]-4019	DS-E[1][2]-4019	WDA-4019A-[1][2][3]
SFR-224319	DF-H[1][2]-4319	DS-E[1][2]-4319	WDA-4319A-[1][2][3]
SFR-254319	DF-H[1][2]-4319	DS-E[1][2]-4319	WDA-4319A-[1][2][3]
SFR-304319	DF-H[1][2]-4319	DS-E[1][2]-4319	WDA-4319A-[1][2][3]
SFR-225219	DF-H[1][2]-5219	DS-E[1][2]-5219	WDA-5219A-[1][2][3]
SFR-255219	DF-H[1][2]-5219	DS-E[1][2]-5219	WDA-5219A-[1][2][3]
SFR-305219	DF-H[1][2]-5219	DS-E[1][2]-5219	WDA-5219A-[1][2][3]
SFR-226119	DF-H[1][2]-6119	DS-E[1][2]-6119	WDA-6119A-[1][2][3]
SFR-256119	DF-H[1][2]-6119	DS-E[1][2]-6119	WDA-6119A-[1][2][3]
SFR-306119	DF-H[1][2]-6119	DS-E[1][2]-6119	WDA-6119A-[1][2][3]
SFR-227019	DF-H[1][2]-7019	DS-E[1][2]-7019	WDA-7019A-[1][2][3]
SFR-257019	DF-H[1][2]-7019	DS-E[1][2]-7019	WDA-7019A-[1][2][3]
SFR-307019	DF-H[1][2]-7019	DS-E[1][2]-7019	WDA-7019A-[1][2][3]
SFR-227819	DF-H[1][2]-7819	DS-E[1][2]-7819	WDA-7819A-[1][2][3]
SFR-257819	DF-H[1][2]-7819	DS-E[1][2]-7819	WDA-7819A-[1][2][3]
SFR-307819	DF-H[1][2]-7819	DS-E[1][2]-7819	WDA-7819A-[1][2][3]

Vertical Frames - Work Surface Provisions 12U "Desk Height" 16U "Counter Height"	Front	Rear	Front	Rear	Front or Rear
SFR-182119-WT	DF-H[1][2]-2119	DF-H[1][2]-2119	DS-E[1][2]-2019	DS-E[1][2]-2119	contact factory
SFR-222119-WT	DF-H[1][2]-2119	DF-H[1][2]-2119	DS-E[1][2]-2019	DS-E[1][2]-2119	contact factory
SFR-252119-WT	DF-H[1][2]-2119	DF-H[1][2]-2119	DS-E[1][2]-2019	DS-E[1][2]-2119	contact factory
SFR-302119-WT	DF-H[1][2]-2119	DF-H[1][2]-2119	DS-E[1][2]-2019	DS-E[1][2]-2119	contact factory
SFR-182819-WT	DF-H[1][2]-2819	DF-H[1][2]-2819	DS-E[1][2]-2719	DS-E[1][2]-2819	contact factory
SFR-222819-WT	DF-H[1][2]-2819	DF-H[1][2]-2819	DS-E[1][2]-2719	DS-E[1][2]-2819	contact factory
SFR-252819-WT	DF-H[1][2]-2819	DF-H[1][2]-2819	DS-E[1][2]-2719	DS-E[1][2]-2819	contact factory
SFR-302819-WT	DF-H[1][2]-2819	DF-H[1][2]-2819	DS-E[1][2]-2719	DS-E[1][2]-2819	contact factory

Slope Front Frames 6U 10U 14U Slope Openings	Front	Rear	Front	Rear	Front	Rear
SFRS-221019*	DF-H[1][2]-2819	DF-H[1][2]-3819	DS-E[1][2]-2819	DS-E[1][2]-3819	contact factory	contact factory
SFRS-251019*	DF-H[1][2]-2819	DF-H[1][2]-3819	DS-E[1][2]-2819	DS-E[1][2]-3819	contact factory	contact factory
SFRS-221719	DF-H[1][2]-2419	DF-H[1][2]-4219	DS-E[1][2]-2419	DS-E[1][2]-4219	contact factory	contact factory
SFRS-251719	DF-H[1][2]-2419	DF-H[1][2]-4219	DS-E[1][2]-2419	DS-E[1][2]-4219	contact factory	contact factory
SFRS-301719*	DF-H[1][2]-2419	DF-H[1][2]-4219	DS-E[1][2]-2419	DS-E[1][2]-4219	contact factory	contact factory
SFRS-222419	DF-H[1][2]-2419	DF-H[1][2]-4919	DS-E[1][2]-2419	DS-E[1][2]-4919	contact factory	contact factory
SFRS-252419	DF-H[1][2]-2419	DF-H[1][2]-4919	DS-E[1][2]-2419	DS-E[1][2]-4919	contact factory	contact factory
SFRS-302419*	DF-H[1][2]-2419	DF-H[1][2]-4919	DS-E[1][2]-2419	DS-E[1][2]-4919	contact factory	contact factory

For 24" EIA width, change "19" to "24" in part number.
(i.e. SFRS-252419 becomes SFRS-252424)

For 24" EIA width, change "19" to "24" in part number.
(i.e. DF-H[1][2]-2419 becomes DF-H[1][2]-2424)

For 24" EIA width, change "19" to "24" in part number.
(i.e. DS-E[1][2]-2419 becomes DS-E[1][2]-2424)

For 24" EIA width, change "19" to "24" in part number.
(i.e. WDA-2819A-[1][2][3] becomes WDA-2824A-[1][2][3])

For 30" EIA width, change "19" to "30" in part number.
(i.e. SFRS-252419 becomes SFRS-252430)
*Contact the factory for 30" EIA Width's

For 30" EIA width, change "19" to "30" in part number.
(i.e. DF-H[1][2]-2419 becomes DF-H[1][2]-2430)

For 30" EIA width, change "19" to "30" in part number.
(i.e. DS-E[1][2]-2419 becomes DS-E[1][2]-2430)

For 30" EIA width, change "19" to "30" in part number.
(i.e. WDA-2819A-[1][2][3] becomes WDA-2830A-[1][2][3])

Ordering Guide - Vertical and Slope Front Frames

Frame Options	Full Depth Top Panel Options		
	Panels	Fan Panels	Lift Kits
	[1] Block Indicate: [blank] = Solid [-V] = Vented [-PA] = Perforated [-LV] = Louvered [-F] = Laminate	[1] Block Indicate: [blank] = 115 Volt [-230] = 230 Volt	[1] Block Indicate: [blank] = Solid [-PA] = Perforated
Vertical Frames			
12U 16U 20U 23U 25U 30U 35U 40U 45U			
SFR-182119	XPN-1419[1]	contact factory	SLA-1419[1]
SFR-222119	XPN-1719[1]	XPN-1719-FP[1]	SLA-1719[1]
SFR-252119	XPN-2119[1]	XPN-2119-FP[1]	SLA-2119[1]
SFR-302119	XPN-2619[1]	XPN-2619-FP[1]	SLA-2619[1]
SFR-182819	XPN-1419[1]	contact factory	SLA-1419[1]
SFR-222819	XPN-1719[1]	XPN-1719-FP[1]	SLA-1719[1]
SFR-252819	XPN-2119[1]	XPN-2119-FP[1]	SLA-2119[1]
SFR-302819	XPN-2619[1]	XPN-2619-FP[1]	SLA-2619[1]
SFR-223519	XPN-1719[1]	XPN-1719-FP[1]	SLA-1719[1]
SFR-253519	XPN-2119[1]	XPN-2119-FP[1]	SLA-2119[1]
SFR-224019	XPN-1719[1]	XPN-1719-FP[1]	SLA-1719[1]
SFR-254019	XPN-2119[1]	XPN-2119-FP[1]	SLA-2119[1]
SFR-224319	XPN-1719[1]	XPN-1719-FP[1]	SLA-1719[1]
SFR-254319	XPN-2119[1]	XPN-2119-FP[1]	SLA-2119[1]
SFR-304319	XPN-2619[1]	XPN-2619-FP[1]	SLA-2619[1]
SFR-225219	XPN-1719[1]	XPN-1719-FP[1]	SLA-1719[1]
SFR-255219	XPN-2119[1]	XPN-2119-FP[1]	SLA-2119[1]
SFR-305219	XPN-2619[1]	XPN-2619-FP[1]	SLA-2619[1]
SFR-226119	XPN-1719[1]	XPN-1719-FP[1]	SLA-1719[1]
SFR-256119	XPN-2119[1]	XPN-2119-FP[1]	SLA-2119[1]
SFR-306119	XPN-2619[1]	XPN-2619-FP[1]	SLA-2619[1]
SFR-227019	XPN-1719[1]	XPN-1719-FP[1]	SLA-1719[1]
SFR-257019	XPN-2119[1]	XPN-2119-FP[1]	SLA-2119[1]
SFR-307019	XPN-2619[1]	XPN-2619-FP[1]	SLA-2619[1]
SFR-227819	XPN-1719[1]	XPN-1719-FP[1]	SLA-1719[1]
SFR-257819	XPN-2119[1]	XPN-2119-FP[1]	SLA-2119[1]
SFR-307819	XPN-2619[1]	XPN-2619-FP[1]	SLA-2619[1]
Vertical Frames - Work Surface Provisions			
12U "Desk Height" 16U "Counter Height"			
SFR-182119-WT	XPN-1419[1]	contact factory	contact factory
SFR-222119-WT	XPN-1719[1]	XPN-1719-FP[1]	contact factory
SFR-252119-WT	XPN-2119[1]	XPN-2119-FP[1]	contact factory
SFR-302119-WT	XPN-2619[1]	XPN-2619-FP[1]	contact factory
SFR-182819-WT	XPN-1419[1]	contact factory	contact factory
SFR-222819-WT	XPN-1719[1]	XPN-1719-FP[1]	contact factory
SFR-252819-WT	XPN-2119[1]	XPN-2119-FP[1]	contact factory
SFR-302819-WT	XPN-2619[1]	XPN-2619-FP[1]	contact factory
Slope Front Frames			
6U 10U 14U Slope Openings			
SFRS-221019*	XPN-1419[1]	contact factory	contact factory
SFRS-251019*	XPN-1719[1]	XPN-1719-FP[1]	contact factory
SFRS-221719	XPN-1219[1]	contact factory	contact factory
SFRS-251719	XPN-1519[1]	contact factory	contact factory
SFRS-301719*	XPN-2119[1]	XPN-2119-FP[1]	contact factory
SFRS-222419	XPN-0819[1]	contact factory	contact factory
SFRS-252419	XPN-1219[1]	contact factory	contact factory
SFRS-302419*	XPN-1719[1]	XPN-1719-FP[1]	contact factory
For 24" EIA width, change "19" to "24" in part number. (i.e. SFRS-252419 becomes SFRS-252424)	For 24" EIA width, change "19" to "24" in part number. (i.e. XPN-2119[1] becomes XPN-2124[1])	For 24" EIA width, change "19" to "24" in part number. (i.e. XPN-2119-FP becomes XPN-2124-FP)	For 24" EIA width, change "19" to "24" in part number. (i.e. SLA-2619[1] becomes SLA-2624[1])
For 30" EIA width, change "19" to "30" in part number. (i.e. SFRS-252419 becomes SFRS-252430) *Contact the factory for 30" EIA Width's	For 30" EIA width, change "19" to "30" in part number. (i.e. XPN-2119[1] becomes XPN-2130[1])	For 30" EIA width, change "19" to "30" in part number. (i.e. XPN-2119-FP becomes XPN-2130-FP)	For 30" EIA width, change "19" to "30" in part number. (i.e. SLA-2619[1] becomes SLA-2630[1])

Ordering Guide - Vertical and Slope Front Frames

Frame Options	Bottom/Base Options	
	Panels	Bases
	[1] Block Indicate: [blank] = Solid [-PA] = Perforated	A Riser (pontoon base) is supplied with the frame. Only select this option if you would like to replace it or add outlet provisions. [1] Block Indicate: [blank] = Riser (pontoon Base) [-DO] = Riser (pontoon Base) w/ Outlet [-AT] = Caster Dolly/Anti Tip
Vertical Frames 12U 16U 20U 23U 25U 30U 35U 40U 45U		
SFR-182119	XPN-1419[1]	SPB-1819[1]
SFR-222119	XPN-1719[1]	SPB-2219[1]
SFR-252119	XPN-2119[1]	SPB-2519[1]
SFR-302119	XPN-2619[1]	SPB-3019[1]
SFR-182819	XPN-1419[1]	SPB-1819[1]
SFR-222819	XPN-1719[1]	SPB-2219[1]
SFR-252819	XPN-2119[1]	SPB-2519[1]
SFR-302819	XPN-2619[1]	SPB-3019[1]
SFR-223519	XPN-1719[1]	SPB-2219[1]
SFR-253519	XPN-2119[1]	SPB-2519[1]
SFR-224019	XPN-1719[1]	SPB-2219[1]
SFR-254019	XPN-2119[1]	SPB-2519[1]
SFR-224319	XPN-1719[1]	SPB-2219[1]
SFR-254319	XPN-2119[1]	SPB-2519[1]
SFR-304319	XPN-2619[1]	SPB-3019[1]
SFR-225219	XPN-1719[1]	SPB-2219[1]
SFR-255219	XPN-2119[1]	SPB-2519[1]
SFR-305219	XPN-2619[1]	SPB-3019[1]
SFR-226119	XPN-1719[1]	SPB-2219[1]
SFR-256119	XPN-2119[1]	SPB-2519[1]
SFR-306119	XPN-2619[1]	SPB-3019[1]
SFR-227019	XPN-1719[1]	SPB-2219[1]
SFR-257019	XPN-2119[1]	SPB-2519[1]
SFR-307019	XPN-2619[1]	SPB-3019[1]
SFR-227819	XPN-1719[1]	SPB-2219[1]
SFR-257819	XPN-2119[1]	SPB-2519[1]
SFR-307819	XPN-2619[1]	SPB-3019[1]
Vertical Frames - Work Surface Provisions 12U "Desk Height" 16U "Counter Height"		
SFR-182119-WT	XPN-1419[1]	SPB-1819[1]
SFR-222119-WT	XPN-1719[1]	SPB-2219[1]
SFR-252119-WT	XPN-2119[1]	SPB-2519[1]
SFR-302119-WT	XPN-2619[1]	SPB-3019[1]
SFR-182819-WT	XPN-1419[1]	SPB-1819[1]
SFR-222819-WT	XPN-1719[1]	SPB-2219[1]
SFR-252819-WT	XPN-2119[1]	SPB-2519[1]
SFR-302819-WT	XPN-2619[1]	SPB-3019[1]
Slope Front Frames 6U 10U 14U Slope Openings		
SFRS-221019*	XPN-1719[1]	SPB-2219[1]
SFRS-251019*	XPN-2119[1]	SPB-2519[1]
SFRS-221719	XPN-1719[1]	SPB-2219[1]
SFRS-251719	XPN-2119[1]	SPB-2519[1]
SFRS-301719*	XPN-2619[1]	SPB-3019[1]
SFRS-222419	XPN-1719[1]	SPB-2219[1]
SFRS-252419	XPN-2119[1]	SPB-2519[1]
SFRS-302419*	XPN-2619[1]	SPB-3019[1]
For 24" EIA width, change "19" to "24" in part number. (i.e. SFRS-252419 becomes SFRS-252424)	For 24" EIA width, change "19" to "24" in part number. (i.e. XPN-2119[1] becomes XPN-2124[1])	For 24" EIA width, change "19" to "24" in part number. (i.e. SPB-2519[1] becomes SPB-2524[1])
For 30" EIA width, change "19" to "30" in part number. (i.e. SFRS-252419 becomes SFRS-252430) *Contact the factory for 30" EIA Width's	For 30" EIA width, change "19" to "30" in part number. (i.e. XPN-2119[1] becomes XPN-2130[1])	For 30" EIA width, change "19" to "24" in part number. (i.e. SPB-2519[1] becomes SPB-2530[1])

Ordering Guide - Vertical and Slope Front Frames

Frame Options	Shelves		
	Chassis Guides	Fixed Shelves	Pull Out Shelves
	<p>[R] Block Indicate: [18] = 17.250" A Rail to Rail Setting [22] = 20.750" B Rail to Rail Setting [25] = 24.250" C Rail to Rail Setting [30] = 29.500" D Rail to Rail Setting</p> <p>[1] Block Indicate: [blank] = Heavy Duty [-LD] = Light Duty</p>	<p>[R] Block Indicate: [18] = 17.250" A Rail to Rail Setting [22] = 20.750" B Rail to Rail Setting [25] = 24.250" C Rail to Rail Setting [30] = 29.500" D Rail to Rail Setting</p> <p>[1] Block Indicate: [blank] = Solid [-PA] = Perforated</p>	<p>[R] Block Indicate: [18] = 17.250" A Rail to Rail Setting [22] = 20.750" B Rail to Rail Setting [25] = 24.250" C Rail to Rail Setting [30] = 29.500" D Rail to Rail Setting</p> <p>[1] Block Indicate: [blank] = Solid [-PA] = Perforated</p>

Vertical Frames
 12U 16U 20U 23U 25U 30U 35U 40U 45U

SFR-182119	CG-[R] [1]	SES-[R]19[1]	SCSQ-[R]19[1]
SFR-222119	CG-[R] [1]	SES-[R]19[1]	SCSQ-[R]19[1]
SFR-252119	CG-[R] [1]	SES-[R]19[1]	SCSQ-[R]19[1]
SFR-302119	CG-[R] [1]	SES-[R]19[1]	SCSQ-[R]19[1]
SFR-182819	CG-[R] [1]	SES-[R]19[1]	SCSQ-[R]19[1]
SFR-222819	CG-[R] [1]	SES-[R]19[1]	SCSQ-[R]19[1]
SFR-252819	CG-[R] [1]	SES-[R]19[1]	SCSQ-[R]19[1]
SFR-302819	CG-[R] [1]	SES-[R]19[1]	SCSQ-[R]19[1]
SFR-223519	CG-[R] [1]	SES-[R]19[1]	SCSQ-[R]19[1]
SFR-253519	CG-[R] [1]	SES-[R]19[1]	SCSQ-[R]19[1]
SFR-224019	CG-[R] [1]	SES-[R]19[1]	SCSQ-[R]19[1]
SFR-254019	CG-[R] [1]	SES-[R]19[1]	SCSQ-[R]19[1]
SFR-224319	CG-[R] [1]	SES-[R]19[1]	SCSQ-[R]19[1]
SFR-254319	CG-[R] [1]	SES-[R]19[1]	SCSQ-[R]19[1]
SFR-304319	CG-[R] [1]	SES-[R]19[1]	SCSQ-[R]19[1]
SFR-225219	CG-[R] [1]	SES-[R]19[1]	SCSQ-[R]19[1]
SFR-255219	CG-[R] [1]	SES-[R]19[1]	SCSQ-[R]19[1]
SFR-305219	CG-[R] [1]	SES-[R]19[1]	SCSQ-[R]19[1]
SFR-226119	CG-[R] [1]	SES-[R]19[1]	SCSQ-[R]19[1]
SFR-256119	CG-[R] [1]	SES-[R]19[1]	SCSQ-[R]19[1]
SFR-306119	CG-[R] [1]	SES-[R]19[1]	SCSQ-[R]19[1]
SFR-227019	CG-[R] [1]	SES-[R]19[1]	SCSQ-[R]19[1]
SFR-257019	CG-[R] [1]	SES-[R]19[1]	SCSQ-[R]19[1]
SFR-307019	CG-[R] [1]	SES-[R]19[1]	SCSQ-[R]19[1]
SFR-227819	CG-[R] [1]	SES-[R]19[1]	SCSQ-[R]19[1]
SFR-257819	CG-[R] [1]	SES-[R]19[1]	SCSQ-[R]19[1]
SFR-307819	CG-[R] [1]	SES-[R]19[1]	SCSQ-[R]19[1]

Vertical Frames - Work Surface Provisions
 12U "Desk Height" 16U "Counter Height"

SFR-182119-WT	CG-[R] [1]	SES-[R]19[1]	SCSQ-[R]19[1]
SFR-222119-WT	CG-[R] [1]	SES-[R]19[1]	SCSQ-[R]19[1]
SFR-252119-WT	CG-[R] [1]	SES-[R]19[1]	SCSQ-[R]19[1]
SFR-302119-WT	CG-[R] [1]	SES-[R]19[1]	SCSQ-[R]19[1]
SFR-182819-WT	CG-[R] [1]	SES-[R]19[1]	SCSQ-[R]19[1]
SFR-222819-WT	CG-[R] [1]	SES-[R]19[1]	SCSQ-[R]19[1]
SFR-252819-WT	CG-[R] [1]	SES-[R]19[1]	SCSQ-[R]19[1]
SFR-302819-WT	CG-[R] [1]	SES-[R]19[1]	SCSQ-[R]19[1]

Slope Front Frames
 6U 10U 14U Slope Openings

SFRS-221019*	CG-[R] [1]	SES-[R]19[1]	SCSQ-[R]19[1]
SFRS-251019*	CG-[R] [1]	SES-[R]19[1]	SCSQ-[R]19[1]
SFRS-221719	CG-[R] [1]	SES-[R]19[1]	SCSQ-[R]19[1]
SFRS-251719	CG-[R] [1]	SES-[R]19[1]	SCSQ-[R]19[1]
SFRS-301719*	CG-[R] [1]	SES-[R]19[1]	SCSQ-[R]19[1]
SFRS-222419	CG-[R] [1]	SES-[R]19[1]	SCSQ-[R]19[1]
SFRS-252419	CG-[R] [1]	SES-[R]19[1]	SCSQ-[R]19[1]
SFRS-302419*	CG-[R] [1]	SES-[R]19[1]	SCSQ-[R]19[1]

For 24" EIA width, change "19" to "24" in part number. (i.e. SFRS-252419 becomes SFRS-252424)	Part number valid for 24" EIA width.	For 24" EIA width, change "19" to "24" in part number. (i.e. SES-2219[1] becomes SES-2224[1])	For 24" EIA width, change "19" to "24" in part number. (i.e. SCSQ-3119[1] becomes SCSQ-3124[1])
For 30" EIA width, change "19" to "30" in part number. (i.e. SFRS-252419 becomes SFRS-252430) *Contact the factory for 30" EIA Width's	Part number valid for 30" EIA width.	For 30" EIA width, change "19" to "30" in part number. (i.e. SES-2219[1] becomes SES-2230[1])	For 30" EIA width, change "19" to "30" in part number. (i.e. SCSQ-3119[1] becomes SCSQ-3130[1])

Ordering Guide - Vertical and Slope Front Frames

Frame Options	Drawers		
	Non-Locking Drawers	Locking Drawers	Drawer with Lid
	<p>[R] Block Indicate: [18] = 17.250" A Rail to Rail Setting [22] = 20.750" B Rail to Rail Setting [25] = 24.250" C Rail to Rail Setting [30] = 29.500" D Rail to Rail Setting</p> <p>[1] Block Indicate: [03] = 3.50" Drawer Front [05] = 5.25" Drawer Front [07] = 7.00" Drawer Front [08] = 8.75" Drawer Front [10] = 10.50" Drawer Front [14] = 14.00" Drawer Front</p>	<p>[R] Block Indicate: [18] = 17.250" A Rail to Rail Setting [22] = 20.750" B Rail to Rail Setting [25] = 24.250" C Rail to Rail Setting [30] = 29.500" D Rail to Rail Setting</p> <p>[1] Block Indicate: [05] = 5.25" Drawer Front [07] = 7.00" Drawer Front [08] = 8.75" Drawer Front [10] = 10.50" Drawer Front [14] = 14.00" Drawer Front</p>	<p>[R] Block Indicate: [18] = 17.250" A Rail to Rail Setting [22] = 20.750" B Rail to Rail Setting [25] = 24.250" C Rail to Rail Setting [30] = 29.500" D Rail to Rail Setting</p> <p>Note: Laminate color must be selected.</p>

Vertical Frames

12U 16U 20U 23U 25U 30U 35U 40U 45U

SFR-182119	SDRQ-[R][1]19	SDRQ-[R][1]19-LK	SRSQ-[R]19
SFR-222119	SDRQ-[R][1]19	SDRQ-[R][1]19-LK	SRSQ-[R]19
SFR-252119	SDRQ-[R][1]19	SDRQ-[R][1]19-LK	SRSQ-[R]19
SFR-302119	SDRQ-[R][1]19	SDRQ-[R][1]19-LK	SRSQ-[R]19
SFR-182819	SDRQ-[R][1]19	SDRQ-[R][1]19-LK	SRSQ-[R]19
SFR-222819	SDRQ-[R][1]19	SDRQ-[R][1]19-LK	SRSQ-[R]19
SFR-252819	SDRQ-[R][1]19	SDRQ-[R][1]19-LK	SRSQ-[R]19
SFR-302819	SDRQ-[R][1]19	SDRQ-[R][1]19-LK	SRSQ-[R]19
SFR-223519	SDRQ-[R][1]19	SDRQ-[R][1]19-LK	SRSQ-[R]19
SFR-253519	SDRQ-[R][1]19	SDRQ-[R][1]19-LK	SRSQ-[R]19
SFR-224019	SDRQ-[R][1]19	SDRQ-[R][1]19-LK	SRSQ-[R]19
SFR-254019	SDRQ-[R][1]19	SDRQ-[R][1]19-LK	SRSQ-[R]19
SFR-224319	SDRQ-[R][1]19	SDRQ-[R][1]19-LK	SRSQ-[R]19
SFR-254319	SDRQ-[R][1]19	SDRQ-[R][1]19-LK	SRSQ-[R]19
SFR-304319	SDRQ-[R][1]19	SDRQ-[R][1]19-LK	SRSQ-[R]19
SFR-225219	SDRQ-[R][1]19	SDRQ-[R][1]19-LK	SRSQ-[R]19
SFR-255219	SDRQ-[R][1]19	SDRQ-[R][1]19-LK	SRSQ-[R]19
SFR-305219	SDRQ-[R][1]19	SDRQ-[R][1]19-LK	SRSQ-[R]19
SFR-226119	SDRQ-[R][1]19	SDRQ-[R][1]19-LK	SRSQ-[R]19
SFR-256119	SDRQ-[R][1]19	SDRQ-[R][1]19-LK	SRSQ-[R]19
SFR-306119	SDRQ-[R][1]19	SDRQ-[R][1]19-LK	SRSQ-[R]19
SFR-227019	SDRQ-[R][1]19	SDRQ-[R][1]19-LK	SRSQ-[R]19
SFR-257019	SDRQ-[R][1]19	SDRQ-[R][1]19-LK	SRSQ-[R]19
SFR-307019	SDRQ-[R][1]19	SDRQ-[R][1]19-LK	SRSQ-[R]19
SFR-227819	SDRQ-[R][1]19	SDRQ-[R][1]19-LK	SRSQ-[R]19
SFR-257819	SDRQ-[R][1]19	SDRQ-[R][1]19-LK	SRSQ-[R]19
SFR-307819	SDRQ-[R][1]19	SDRQ-[R][1]19-LK	SRSQ-[R]19

Vertical Frames - Work Surface Provisions

12U "Desk Height" 16U "Counter Height"

SFR-182119-WT	SDRQ-[R][1]19	SDRQ-[R][1]19-LK	SRSQ-[R]19
SFR-222119-WT	SDRQ-[R][1]19	SDRQ-[R][1]19-LK	SRSQ-[R]19
SFR-252119-WT	SDRQ-[R][1]19	SDRQ-[R][1]19-LK	SRSQ-[R]19
SFR-302119-WT	SDRQ-[R][1]19	SDRQ-[R][1]19-LK	SRSQ-[R]19
SFR-182819-WT	SDRQ-[R][1]19	SDRQ-[R][1]19-LK	SRSQ-[R]19
SFR-222819-WT	SDRQ-[R][1]19	SDRQ-[R][1]19-LK	SRSQ-[R]19
SFR-252819-WT	SDRQ-[R][1]19	SDRQ-[R][1]19-LK	SRSQ-[R]19
SFR-302819-WT	SDRQ-[R][1]19	SDRQ-[R][1]19-LK	SRSQ-[R]19

Slope Front Frames

6U 10U 14U Slope Openings

SFRS-221019*	SDRQ-[R][1]19	SDRQ-[R][1]19-LK	SRSQ-[R]19
SFRS-251019*	SDRQ-[R][1]19	SDRQ-[R][1]19-LK	SRSQ-[R]19
SFRS-221719	SDRQ-[R][1]19	SDRQ-[R][1]19-LK	SRSQ-[R]19
SFRS-251719	SDRQ-[R][1]19	SDRQ-[R][1]19-LK	SRSQ-[R]19
SFRS-301719*	SDRQ-[R][1]19	SDRQ-[R][1]19-LK	SRSQ-[R]19
SFRS-222419	SDRQ-[R][1]19	SDRQ-[R][1]19-LK	SRSQ-[R]19
SFRS-252419	SDRQ-[R][1]19	SDRQ-[R][1]19-LK	SRSQ-[R]19
SFRS-302419*	SDRQ-[R][1]19	SDRQ-[R][1]19-LK	SRSQ-[R]19

For 24" EIA width, change "19" to "24" in part number.
(i.e. SFRS-252419 becomes SFRS-252424)

For 24" EIA width, change "19" to "24" in part number.
(i.e. SDRQ-25[1]19 becomes SDRQ-25[1]24)

For 24" EIA width, change "19" to "24" in part number.
(i.e. SDRQ-25[1]19-LK becomes SDRQ-25[1]24-LK)

For 24" EIA width, change "19" to "24" in part number.
(i.e. SRSQ-2219 becomes SRSQ-2224)

For 30" EIA width, change "19" to "30" in part number.
(i.e. SFRS-252419 becomes SFRS-252430)
*Contact the factory for 30" EIA Width's

For 30" EIA width, change "19" to "30" in part number.
(i.e. SDRQ-25[1]19 becomes SDRQ-25[1]30)

For 30" EIA width, change "19" to "30" in part number.
(i.e. SDRQ-25[1]19-LK becomes SDRQ-25[1]30-LK)

For 30" EIA width, change "19" to "30" in part number.
(i.e. SRSQ-2219 becomes SRSQ-2230)

Ordering Guide - Instrument Frames

Instrument Frame Options	Side Options			Front and Rear Options			Top and Bottom Options		
	Panels			Panels			Panels		
	[1] Block Indicate: [blank] = Solid [-V] = Vented [-H] = Handle			[1] Block Indicate: [blank] = Solid [-V] = Vented [-PA] = Perforated [-LV] = Louvered [-F] = Laminate			[1] Block Indicate: [blank] = Solid [-V] = Vented [-PA] = Perforated [-LV] = Louvered [-F] = Laminate		
	Left or Right								
SFRI-161019	SSPI-1610[1]			XPN-1019[1]			XPN-1219[1]		
SFRI-161719	SSPI-1617[1]			XPN-1719[1]			XPN-1219[1]		
SFRI-162119	SSPI-1621[1]			XPN-2119[1]			XPN-1219[1]		
SFRI-181019	SSPI-1810[1]			XPN-1019[1]			XPN-1419[1]		
SFRI-181719	SSPI-1817[1]			XPN-1719[1]			XPN-1419[1]		
SFRI-182119	SSPI-1821[1]			XPN-2119[1]			XPN-1419[1]		
SFRI-211019*	SSPI-2110[1]			XPN-1019[1]			XPN-1719[1]		
SFRI-211719*	SSPI-2117[1]			XPN-1719[1]			XPN-1719[1]		
SFRI-212119*	SSPI-2121[1]			XPN-2119[1]			XPN-1719[1]		
SFRI-241019*	SSPI-2410[1]			XPN-1019[1]			XPN-1919[1]		
SFRI-241719*	SSPI-2417[1]			XPN-1719[1]			XPN-1919[1]		
SFRI-242119*	SSPI-2421[1]			XPN-2119[1]			XPN-1919[1]		
For 24" EIA width, change "19" to "24" in part number. (i.e. SFRI-181019 becomes SFRI-181024) *Contact the factory for 24" EIA Width's	Part number valid for 24" EIA width.			For 24" EIA width, change "19" to "24" in part number. (i.e. XPN-1019[1] becomes XPN-1024[1])			For 24" EIA width, change "19" to "24" in part number. (i.e. XPN-1419[1] becomes XPN-1424[1])		
For 30" EIA width, change "19" to "30" in part number. (i.e. SFRI-181019 becomes SFRI-181030) *Contact the factory for 30" EIA Width's	Part number valid for 30" EIA width.			For 30" EIA width, change "19" to "30" in part number. (i.e. XPN-1019[1] becomes XPN-1030[1])			For 30" EIA width, change "19" to "30" in part number. (i.e. XPN-1419[1] becomes XPN-1430[1])		

Instrument Frame Options	Use with these Frames	
	Slope Frame	Riser Frame
SFRI-161019	SFRS-252419	SFRR-1619
SFRI-161719	SFRS-252419	SFRR-1619
SFRI-162119	SFRS-252419	SFRR-1619
SFRI-181019	SFRS-251719	SFRR-1819
SFRI-181719	SFRS-251719	SFRR-1819
SFRI-182119	SFRS-251719	SFRR-1819
SFRI-211019*	SFRS-302419*	SFRR-2119*
SFRI-211719*	SFRS-302419*	SFRR-2119*
SFRI-212119*	SFRS-302419*	SFRR-2119*
SFRI-241019*	SFRS-301719*	SFRR-2419*
SFRI-241719*	SFRS-301719*	SFRR-2419*
SFRI-242119*	SFRS-301719*	SFRR-2419*
For 24" EIA width, change "19" to "24" in part number. (i.e. SFRI-181019 becomes SFRI-181024) *Contact the factory for 24" EIA Width's	For 24" EIA width, change "19" to "24" in part number. (i.e. SFRS-251719 becomes SFRS-251724) *Contact the factory for 24" EIA Width's	For 24" EIA width, change "19" to "24" in part number. (i.e. SFRR-1819 becomes SFRR-1824) *Contact the factory for 24" EIA Width's
For 30" EIA width, change "19" to "30" in part number. (i.e. SFRI-181019 becomes SFRI-181030) *Contact the factory for 30" EIA Width's	For 30" EIA width, change "19" to "30" in part number. (i.e. SFRS-251719 becomes SFRS-251730) *Contact the factory for 30" EIA Width's	For 30" EIA width, change "19" to "30" in part number. (i.e. SFRR-1819 becomes SFRR-1830) *Contact the factory for 30" EIA Width's

Riser Frame Options	Side Options
	Panels
	<p>[1] Block Indicate: [-LH] = Left Side Panel [-RH] = Right Side Panel</p>
	Left or Right
SFRR-1619	SSPR-16 [1]
SFRR-1819	SSPR-18 [1]
SFRR-2119*	SSPR-21 [1]
SFRR-2419*	SSPR-24 [1]

For 24" EIA width, change "19" to "24" in part number.
 (i.e. SFRR-1819 becomes SFRR-1824)
 *Contact the factory for 24" EIA Width's

Part number valid for 24" EIA width.

For 30" EIA width, change "19" to "30" in part number.
 (i.e. SFRR-1819 becomes SFRR-1830)
 *Contact the factory for 30" EIA Width's

Part number valid for 30" EIA width.

Ordering Guide - Turrets

35°/55° Turret Options	Side Options	Front Slope Opening Options	Rear Slope Opening Options	Bottom* Options
	Panels	Panels	Panels	Panels
	[1] Block Indicate: [-LH] = Left Side Panel [-RH] = Right Side Panel	[1] Block Indicate: [blank] = Solid [-PA] = Perforated [-LV] = Louvered [-F] = Laminate	[1] Block Indicate: [blank] = Solid [-PA] = Perforated [-LV] = Louvered [-F] = Laminate	*Unique Size Panels - In designing the 35°/55° turrets it was necessary to have an off-increment panel opening. Special panels have been created to mount in these areas.
	Left or Right			
SFR-54A	SSP-54A[1]	XPN-1019[1]	XPN-0719[1]	BPN-54A
SFR-55A	SSP-55A[1]	XPN-1419[1]	XPN-0819[1]	BPN-55A
For 24" EIA width, add a 2 before 54A or 55A (i.e. SFR-55A becomes SFR-255A)	Part number valid for 24" EIA width.	For 24" EIA width, change "19" to "24." (i.e. XPN-1019[1] becomes XPN-1024[1])	For 24" EIA width, change "19" to "24." (i.e. XPN-0819[1] becomes XPN-0824[1])	For 24" EIA width, use part number BPN-54A-24 or BPN-55A-24
For 30" EIA width, add a 4 before 54A or 55A (i.e. SFR-55A becomes SFR-455A)	Part number valid for 30" EIA width.	For 30" EIA width, change "19" to "30." (i.e. XPN-1019[1] becomes XPN-1030[1])	For 30" EIA width, change "19" to "30." (i.e. XPN-0819[1] becomes XPN-0830[1])	For 30" EIA width, use part number BPN-54A-30 or BPN-55A-30

55°/35° Turret Options	Side Options	Front Slope Opening Options	Rear Slope* Opening Options	Bottom* Options
	Panels	Panels	Panels	Panels
	[1] Block Indicate: [-LH] = Left Side Panel [-RH] = Right Side Panel	[1] Block Indicate: [blank] = Solid [-PA] = Perforated [-LV] = Louvered [-F] = Laminate	*Unique Size Panels - In designing the 55°/35° turrets it was necessary to have an off-increment panel opening. Special panels have been created to mount in these areas.	*Unique Size Panels - In designing the 55°/35° turrets it was necessary to have an off-increment panel opening. Special panels have been created to mount in these areas.
	Left or Right			
SFR-56A	SSP-56A[1]	XPN-1719[1]	PN-1556A	PN-1056A
For 24" EIA width, add a 2 before 56A (i.e. SFR-56A becomes SFR-256A)	Part number valid for 24" EIA width.	For 24" EIA width, change "19" to "24." (i.e. XPN-1719[1] becomes XPN-1724[1])	For 24" EIA width use part number PN-1556A[1]-24	For 24" EIA width use part number PN-1056A[1]-24
For 30" EIA width, add a 4 before 56A (i.e. SFR-56A becomes SFR-456A)	Part number valid for 30" EIA width.	For 30" EIA width, change "19" to "30." (i.e. XPN-1719[1] becomes XPN-1730[1])	For 30" EIA width use part number PN-1556A[1]-30	For 30" EIA width use part number PN-1056A[1]-30

Ordering Guide - Turrets

20° 25° 35° Turret Options	Side Options	Front Slope Opening Options	Rear Slope Opening Options
	Panels	Panels	Panels
	[1] Block Indicate: [-LH] = Left Side Panel [-RH] = Right Side Panel	[1] Block Indicate: [blank] = Solid [-PA] = Perforated [-LV] = Louvered [-F] = Laminate	[1] Block Indicate: [blank] = Solid [-PA] = Perforated [-LV] = Louvered [-F] = Laminate
	Left or Right		
SFRT-2219-20	SPT-22-20[1]	XPN-1719	XPN-0519
SFRT-2519-20	SPT-25-20[1]	XPN-1919	XPN-0719
SFRT-3019-20	SPT-30-20[1]	XPN-2419	XPN-0819
SFRT-2219-25	SPT-22-25[1]	XPN-1519	XPN-0719
SFRT-2519-25	SPT-25-25[1]	XPN-1919	XPN-0819
SFRT-3019-25	SPT-30-25[1]	XPN-2419	XPN-1019
SFRT-2219-35	SPT-22-35[1]	XPN-1419	XPN-1019
SFRT-2519-35	SPT-25-35[1]	XPN-1719	XPN-1219
SFRT-3019-35	SPT-30-35[1]	XPN-2119	XPN-1419
For 24" EIA width, change "19" to "24" in part number. (i.e. SFRT-2519-25 becomes SFRT-2524-25)	Part number valid for 24" EIA width.	For 24" EIA width, change "19" to "24" in part number. (i.e. XPN-1919 becomes XPN-1924)	For 24" EIA width, change "19" to "24" in part number. (i.e. XPN-1019 becomes XPN-1924)
For 30" EIA width, change "19" to "30" in part number. (i.e. SFRT-2519-25 becomes SFRT-2530-25)	Part number valid for 30" EIA width.	For 30" EIA width, change "19" to "30" in part number. (i.e. XPN-1919 becomes XPN-1930)	For 30" EIA width, change "19" to "30" in part number. (i.e. XPN-1019 becomes XPN-1930)

19° Turret Options	Side Options	Front Slope Opening Options
	Panels	Panels
	[1] Block Indicate: [-LH] = Left Side Panel [-RH] = Right Side Panel	[1] Block Indicate: [blank] = Solid [-PA] = Perforated [-LV] = Louvered [-F] = Laminate
	Left or Right	
SFR-57A	SSP-57A[1]	XPN-1419[1]
SFR-58A	SSP-58A[1]	XPN-2119[1]
For 24" EIA width, add a 2 before 57A or 58A (i.e. SFR-58A becomes SFR-258A)	Part number valid for 24" EIA width.	For 24" EIA width, change "19" to "24" in part number. (i.e. XPN-2119[1] becomes XPN-2124[1])
For 30" EIA width, add a 4 before 57A or 58A (i.e. SFR-58A becomes SFR-458A)	Part number valid for 30" EIA width.	For 30" EIA width, change "19" to "30" in part number. (i.e. XPN-2119[1] becomes XPN-2130[1])

Table of Contents

• Overview	3	• Work Surfaces	57-59
• Frames	4-17	Radius Edge	
Vertical Frames		T-Edge	
Slope Front Frames		Bull Nose Edge	
Frames with Built in Work Surface Provisions		Oak Edge	
Riser (pontoon base)		Steel Framed	
• Mounting Rails	18-21	• Articulating Monitor Arms	60-64
Round/Round (.281 diameter) (.281 diameter)		Horizontal Monitor Configurations	
Tapped/Round (#10-32) (.281 diameter)		Vertical Monitor Configurations	
Tapped/Tapped (#10-32) (#10-32)		Mounting Options	
Mounting Straps		• Airflow Management	64-68
Panel Width Reducer Kits (entire EIA opening)		Dual Fan Panels	
Panel Width Reducer Brackets (portion of EIA opening)		Rack Fan Panels	
• Base/Casters	22-25	Fan Trays	
Single Wheel Casters		Blowers	
Dual Wheel Casters		Filters and Other Accessories	
Anti-Tip Bases		• Panels	69-77
• Wedges/Turrets/Instrument Frames	26-33	Cable Pass Through Panels	
30° & 45° Wedges		Formed Steel Filler Panels	
19°, 35°, 55°, Vertical Face Turrets		Plexiglas® Panels	
20°, 25°, 35° Horizontal Face Turrets		Flat Aluminum Filler Panels	
6U, 10U, 12U Instrument Frames		Laminate Filler Panels	
• Power	34-35	Name Plates	
15 Amp		Overhead Cable Trays	
20 Amp		Lift Kits	
Direct Wire		Top Fan Panels	
• Grounding	36-37	• Doors	78-83
Bus Bar (entire vertical opening)		Flush Mount	
Bus Plate (specific locations)		Surface Mount	
• Cable Management	38-41	Aluminum Framed Surface Mount	
Vertical Lacing Panels		• Side Panels	84-85
Vertical Cable Organizer with Finger Duct		Inside Removable Solid	
Horizontal Cable organizer with D-Rings		Inside Removable Louvered	
Din Rail		Inside Removable Flat	
Horizontal Lacing Bars/Panels		Outside Removable Solid	
Cable Trough		• Hardware	86-87
Cable Ties / Velcro		• Ordering Guide	88-99
• Lighting	42-43		
Rack Lights			
Lampsets			
Task Lighting			
• Shelves/Drawers	44-56		
Sliding Shelves			
Fixed Shelves			
Monitor Shelves			
Work Surface Drawers			
Retractable Keyboard Tray			
Chassis Guides			
Equipment Drawers			

Rack Units (U) / Inches Conversion Table

Rack Units	Inches
48 U	84.00"
46 U	80.50"
45 U	78.75"
44 U	77.00"
43 U	75.25"
42 U	73.50"
41 U	71.75"
40 U	70.00"
39 U	68.25"
38 U	66.50"
37 U	64.75"
36 U	63.00"
35 U	61.25"
34 U	59.50"
33 U	57.75"
32 U	56.00"
31 U	54.25"
30 U	52.50"
29 U	50.75"
28 U	49.00"
27 U	47.25"
26 U	45.50"
25 U	43.75"
24 U	42.00"
23 U	40.25"
22 U	38.50"
21 U	36.75"
20 U	35.00"
19 U	33.25"
18 U	31.50"
17 U	29.75"
16 U	28.00"
15 U	26.25"
14 U	24.50"
13 U	22.75"
12 U	21.00"
11 U	19.25"
10 U	17.50"
9 U	15.75"
8 U	14.00"
7 U	12.25"
6 U	10.50"
5 U	8.75"
4 U	7.00"
3 U	5.25"
2 U	3.50"
1 U	1.75"



Emcor Product Portfolio

Cabinets and Enclosures

This standard product lineup includes a range of vertical racks and cabinets, which can be configured or modified with numerous accessories and sizes to meet your diverse needs.



ESQ®



10 Series®



Seismic



Data Center

Consoles and Workstations

This standard product lineup includes a range of modular security consoles and workstations that can be configured to meet the space constraints of any room.



FP1



FP2



ESQ®



Air Traffic Control

Custom Solutions

For those needs that fall outside of Emcor's standard products, we can build completely custom solutions to meet the needs of any customer.



Outdoor Enclosures



Cages



Air Conditioned